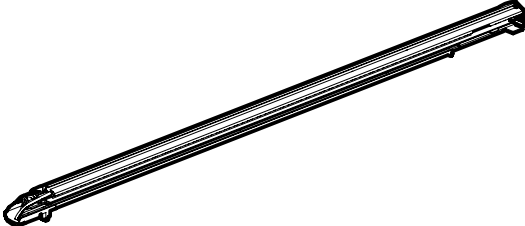
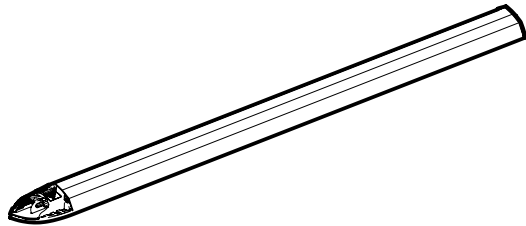
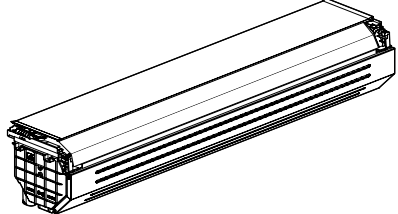
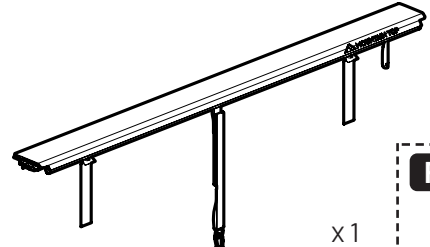



# MOUNTAIN TOP® EV0m

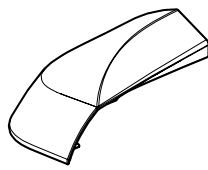
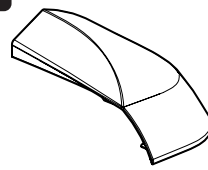
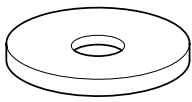
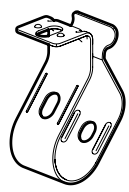
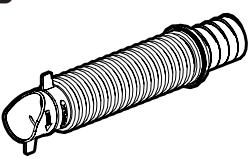
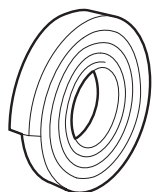
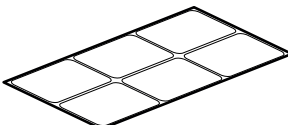
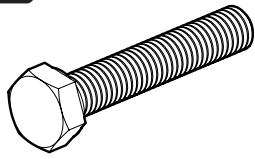
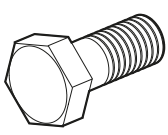
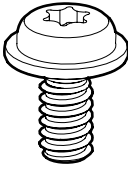
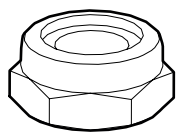


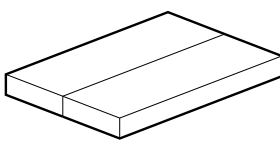
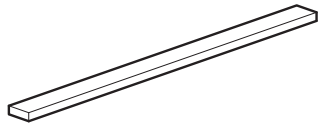
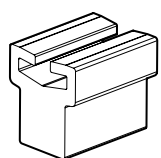
Installation manual



Parts

<p><b>A</b></p>  <p>x1</p>	<p><b>B</b></p>  <p>x1</p>
<p><b>C</b></p>  <p>x1</p>	<p><b>D</b></p>  <p>x1</p> <div style="border: 1px dashed black; padding: 2px; display: inline-block;"> <p><b>R2</b></p>  <p>x1</p> </div>

Kit

<p><b>E</b></p>  <p>LEFT x1</p>	<p><b>F</b></p>  <p>RIGHT x1</p>	<p><b>G</b></p>  <p>x12</p>	<p><b>H</b></p>  <p>x6</p>
<p><b>I</b></p>  <p>x2</p>	<p><b>J</b></p>  <p>x1</p>	<p><b>K</b></p>  <p>x1</p>	<p><b>L</b></p>  <p>x6</p>
<p><b>M</b></p>  <p>x6</p>	<p><b>N</b></p>  <p>x4</p>	<p><b>O</b></p>  <p>x6</p>	<p><b>P</b></p>  <p>x6</p>
<p><b>R</b></p>  <p>x8</p>	<p><b>S</b></p>  <p>x1</p>	<p><b>T</b></p>  <p>x2</p>	<p><b>U</b></p>  <p>x4</p>

Kit



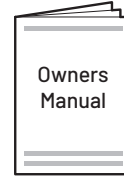
Manual

x1



TÜV

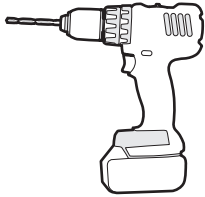
x1



Owners  
Manual

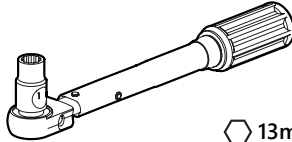
x1

Tools needed



Ø2.4MM

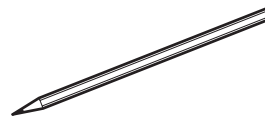
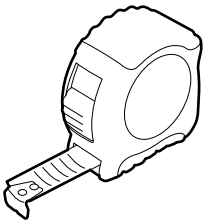
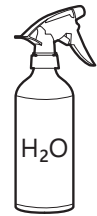
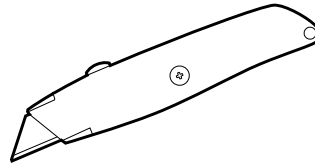
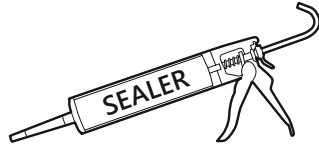
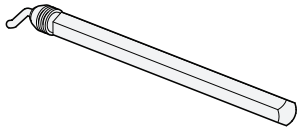
1 - 25 Nm



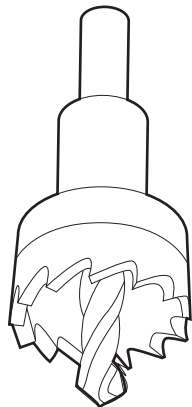
13mm  
T30



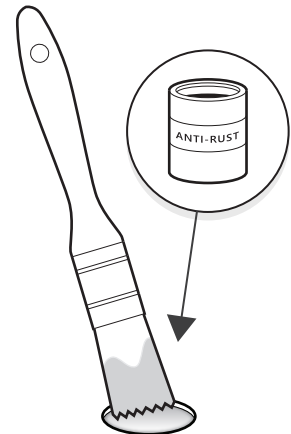
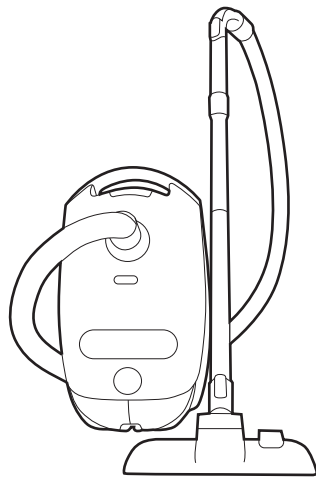
Rust protection  
Rostschutzmittel  
Anti-rouille  
Anti roest



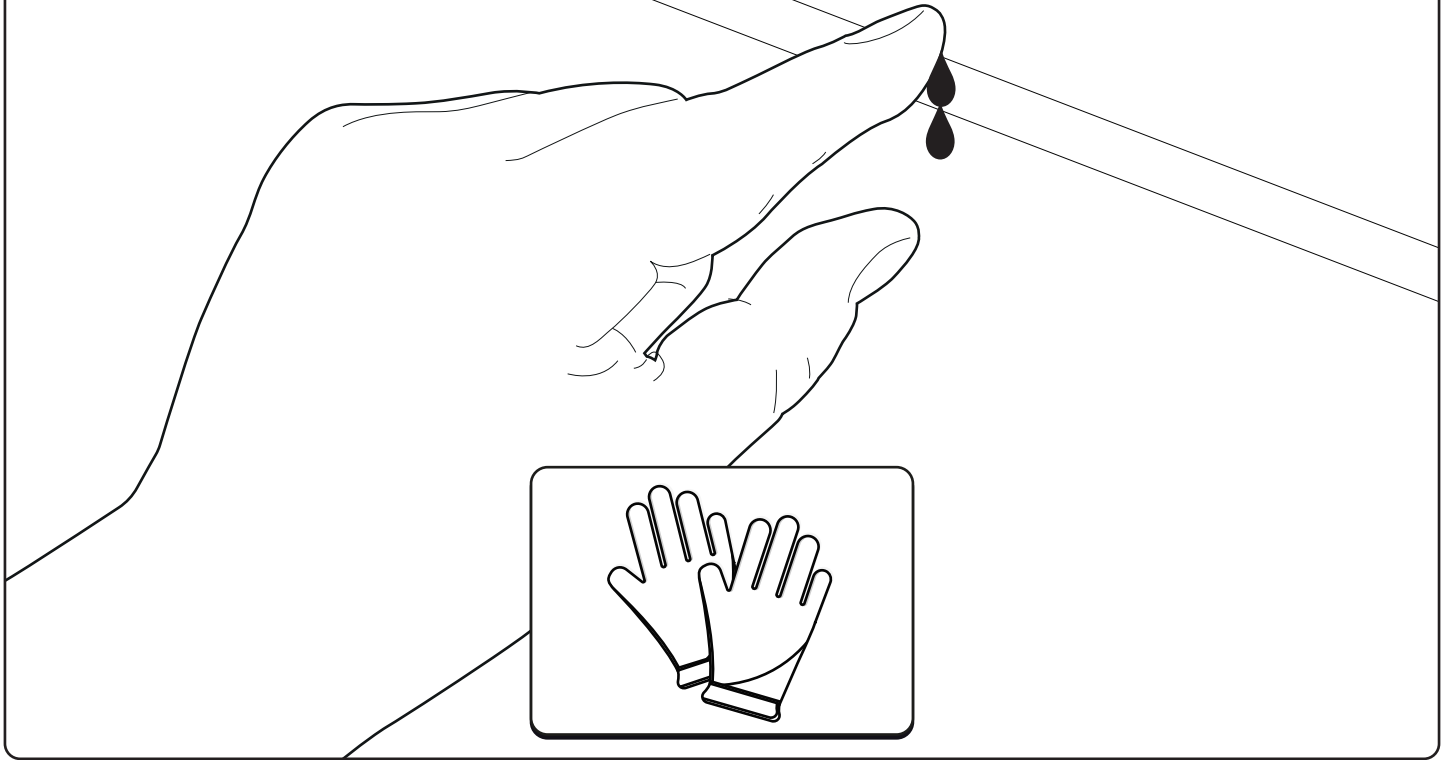
Applying rust protection



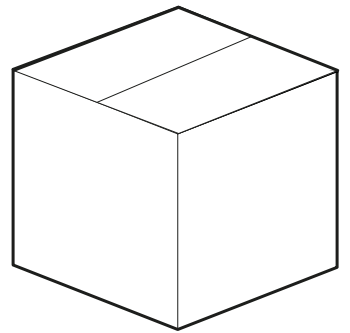
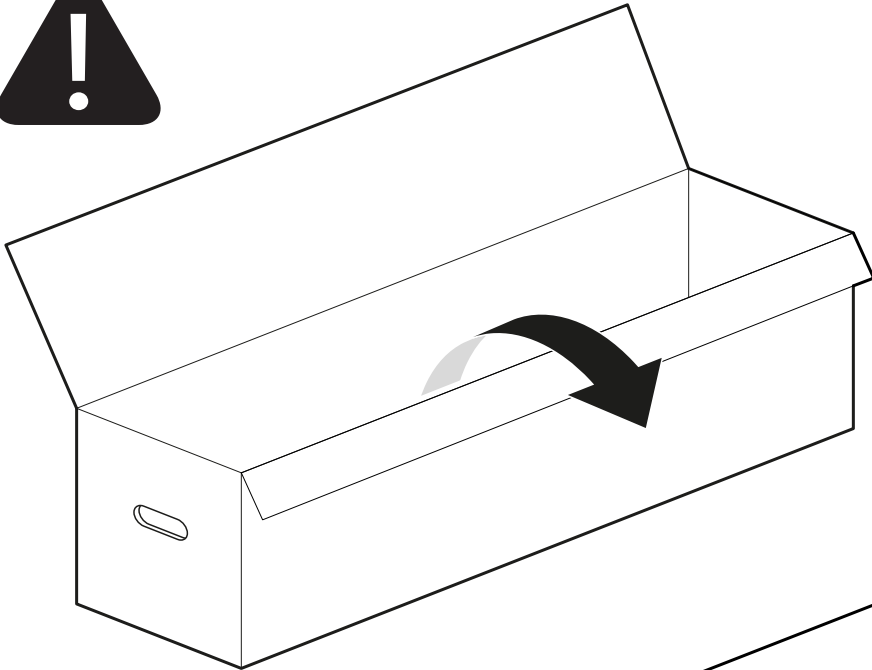
Ø40MM



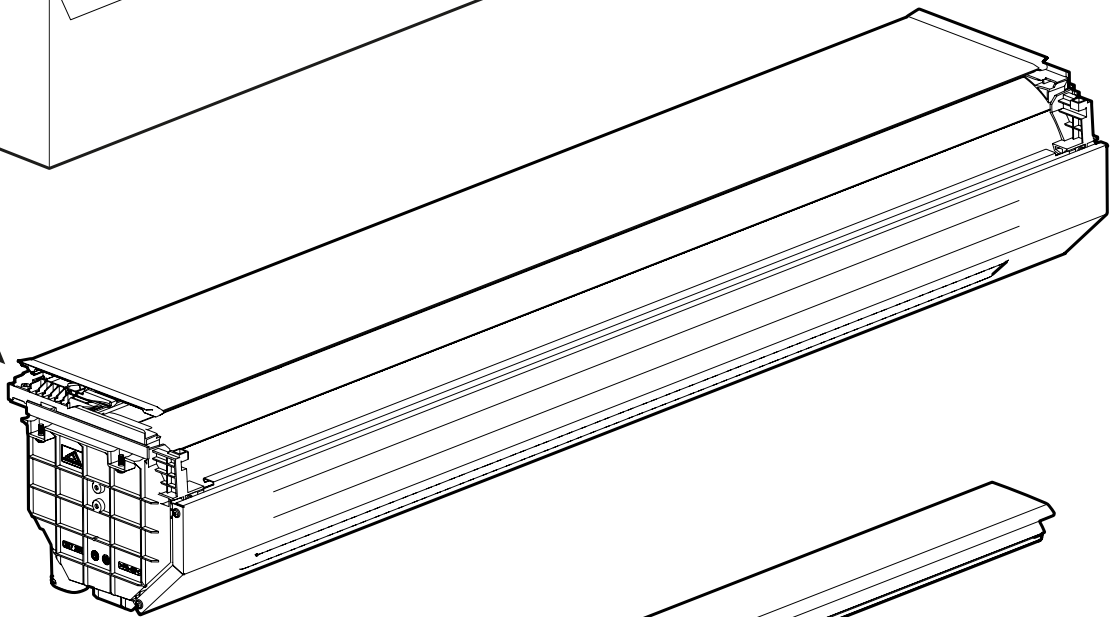
Sharp edge



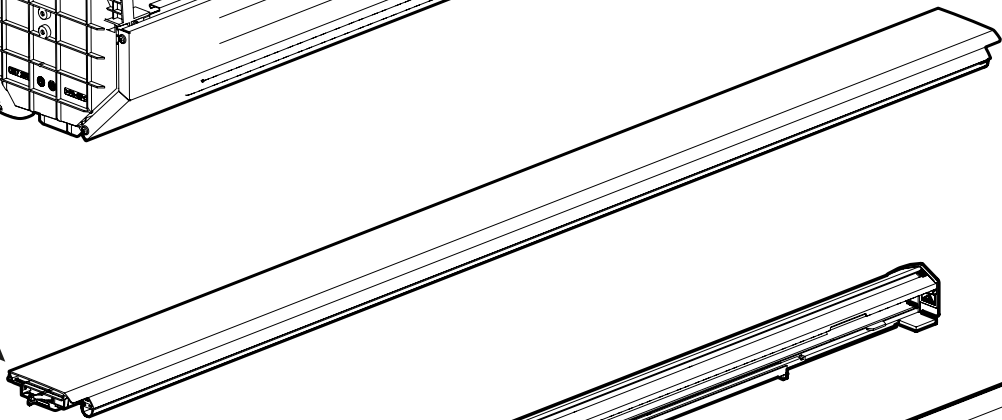




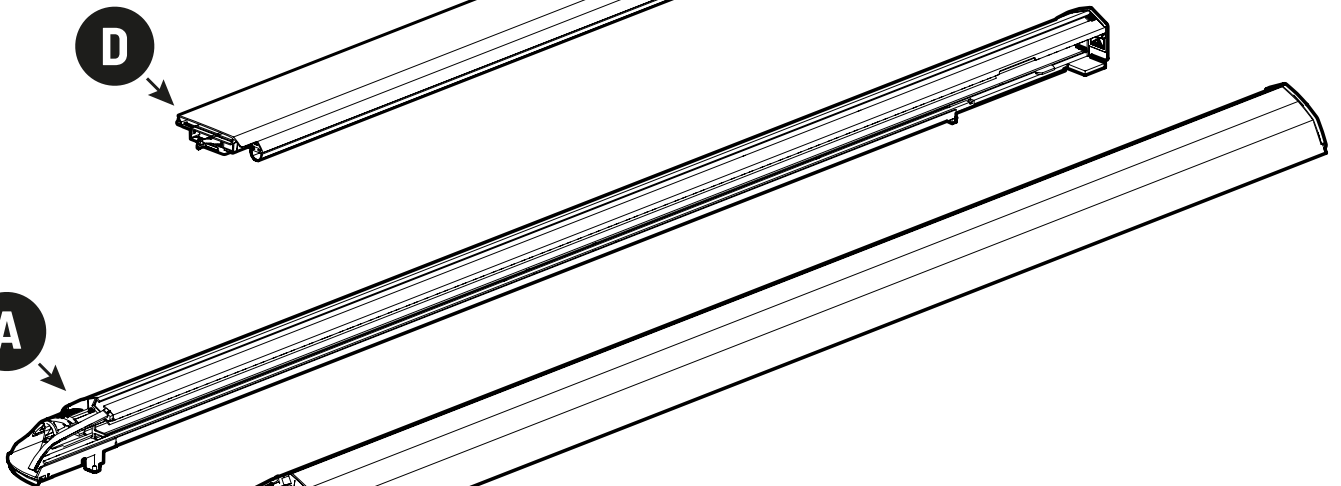
**C**



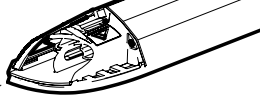
**D**



**A**



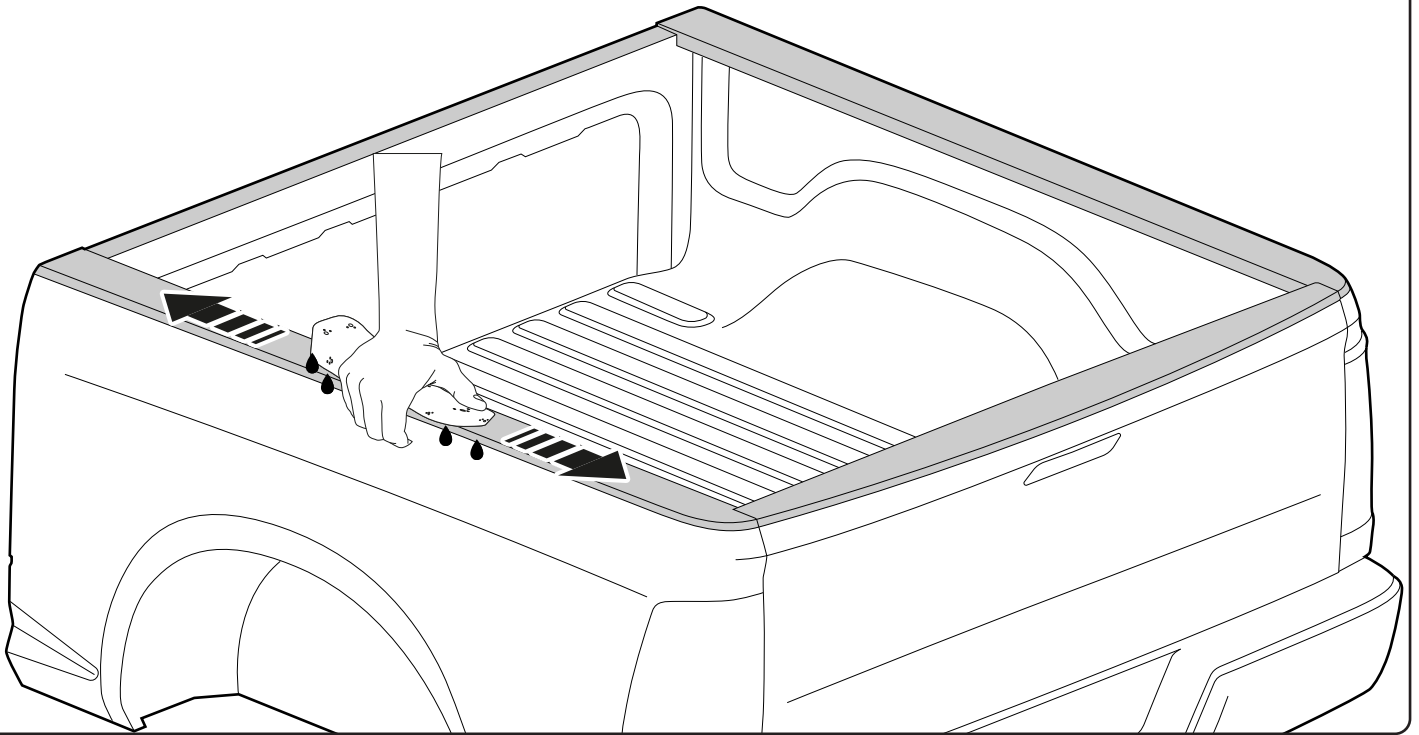
**B**



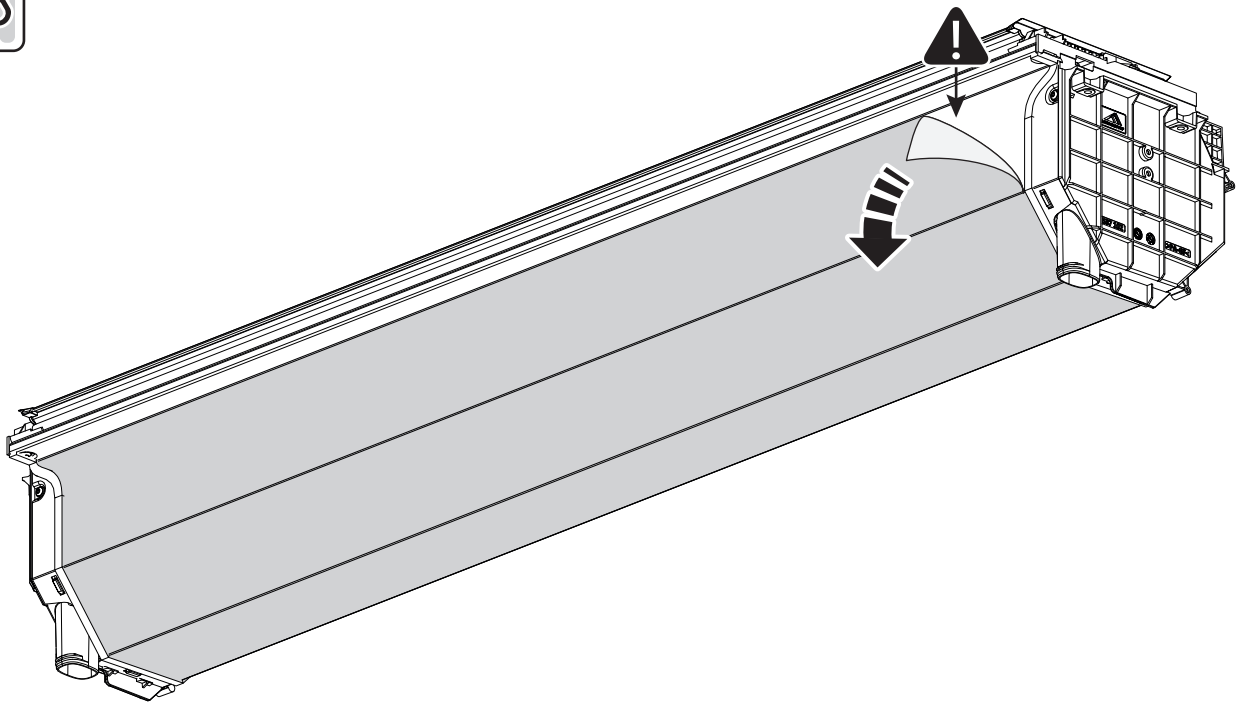


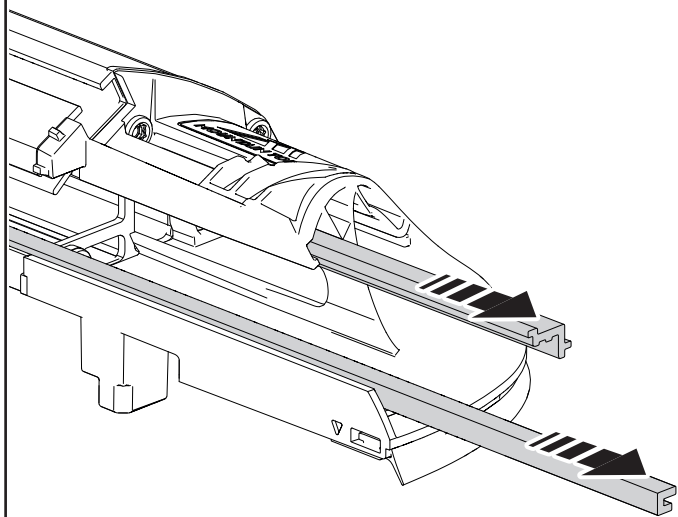
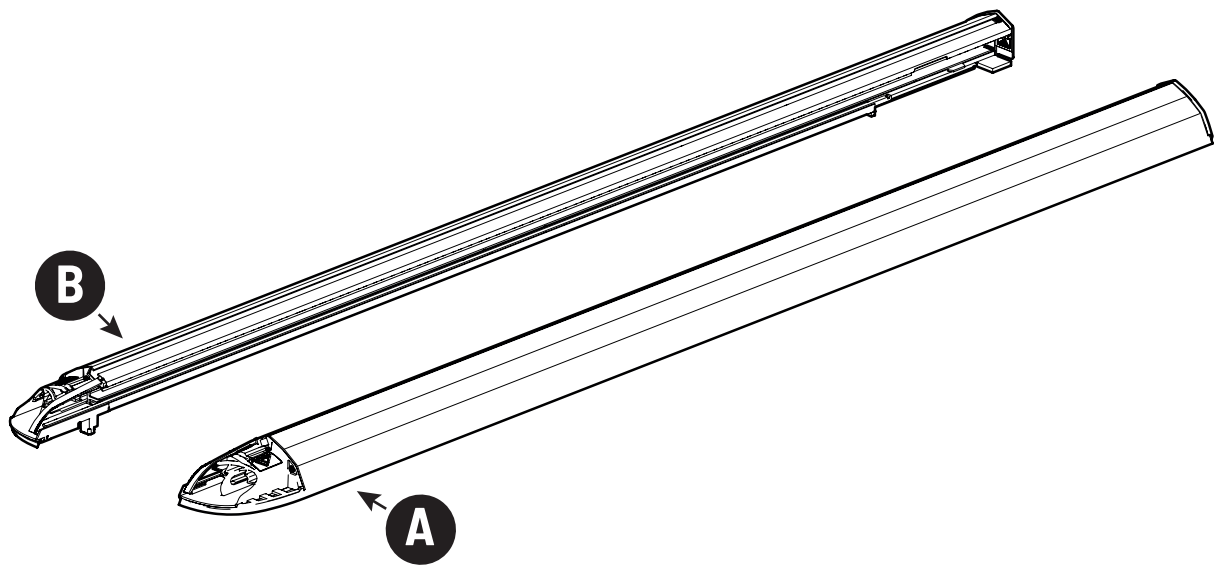
Water & sponge

2

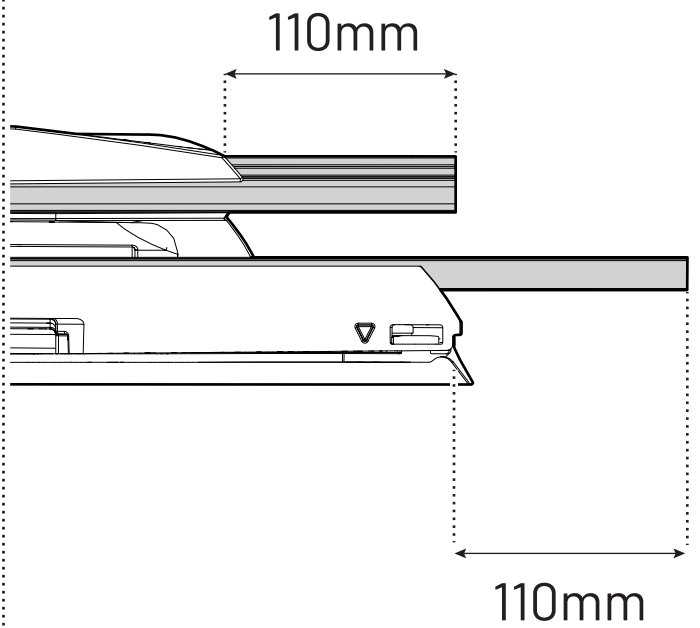


3

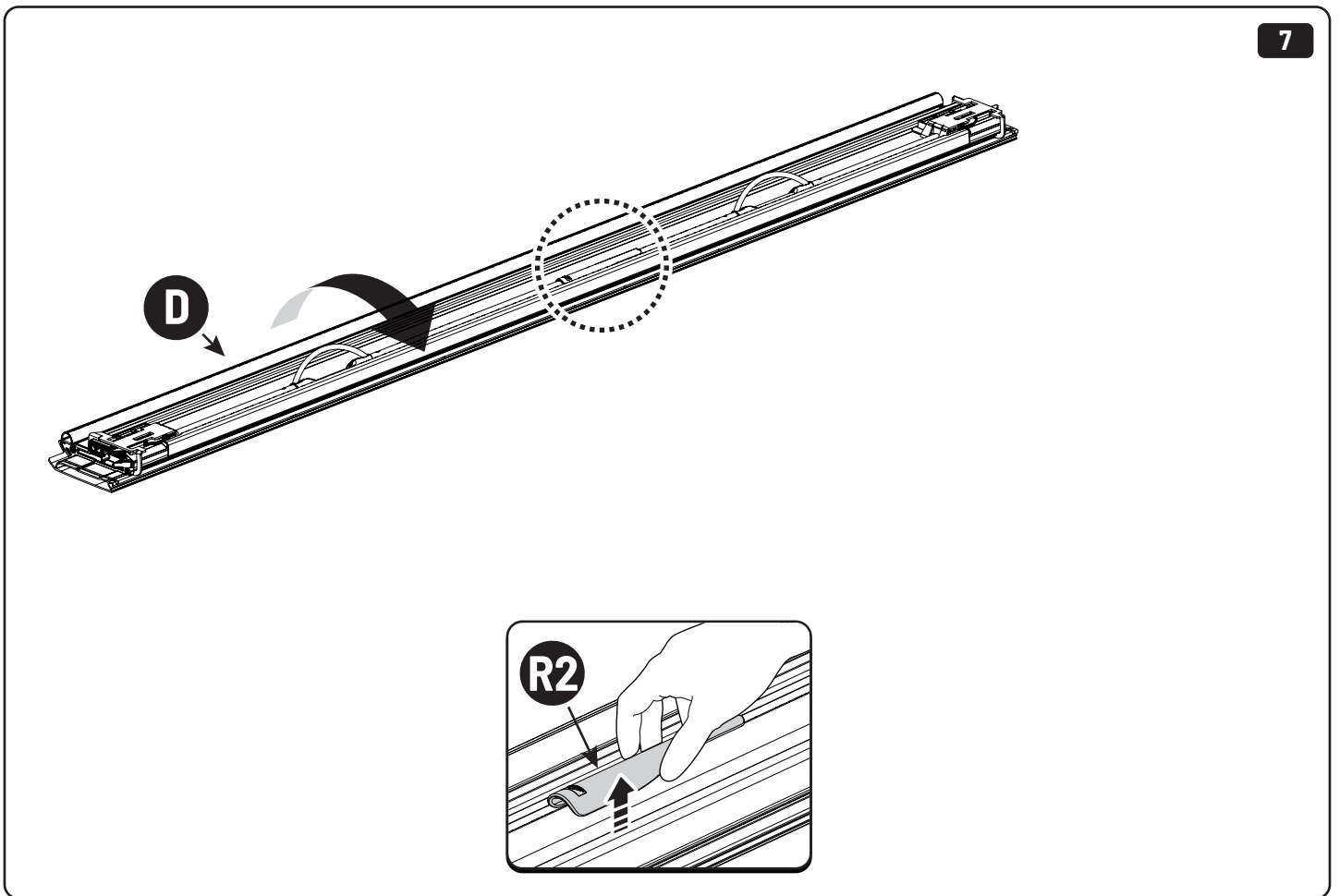
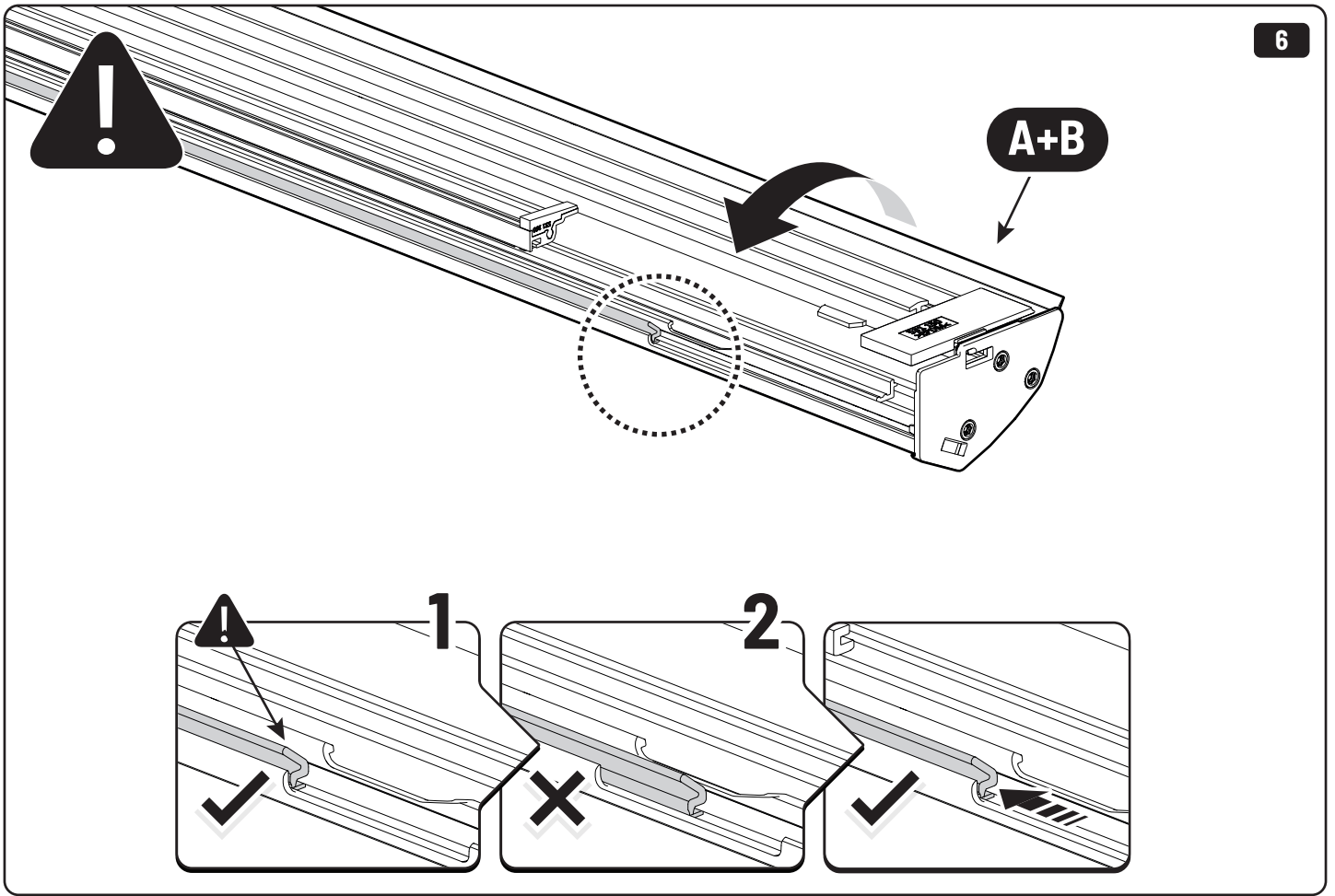


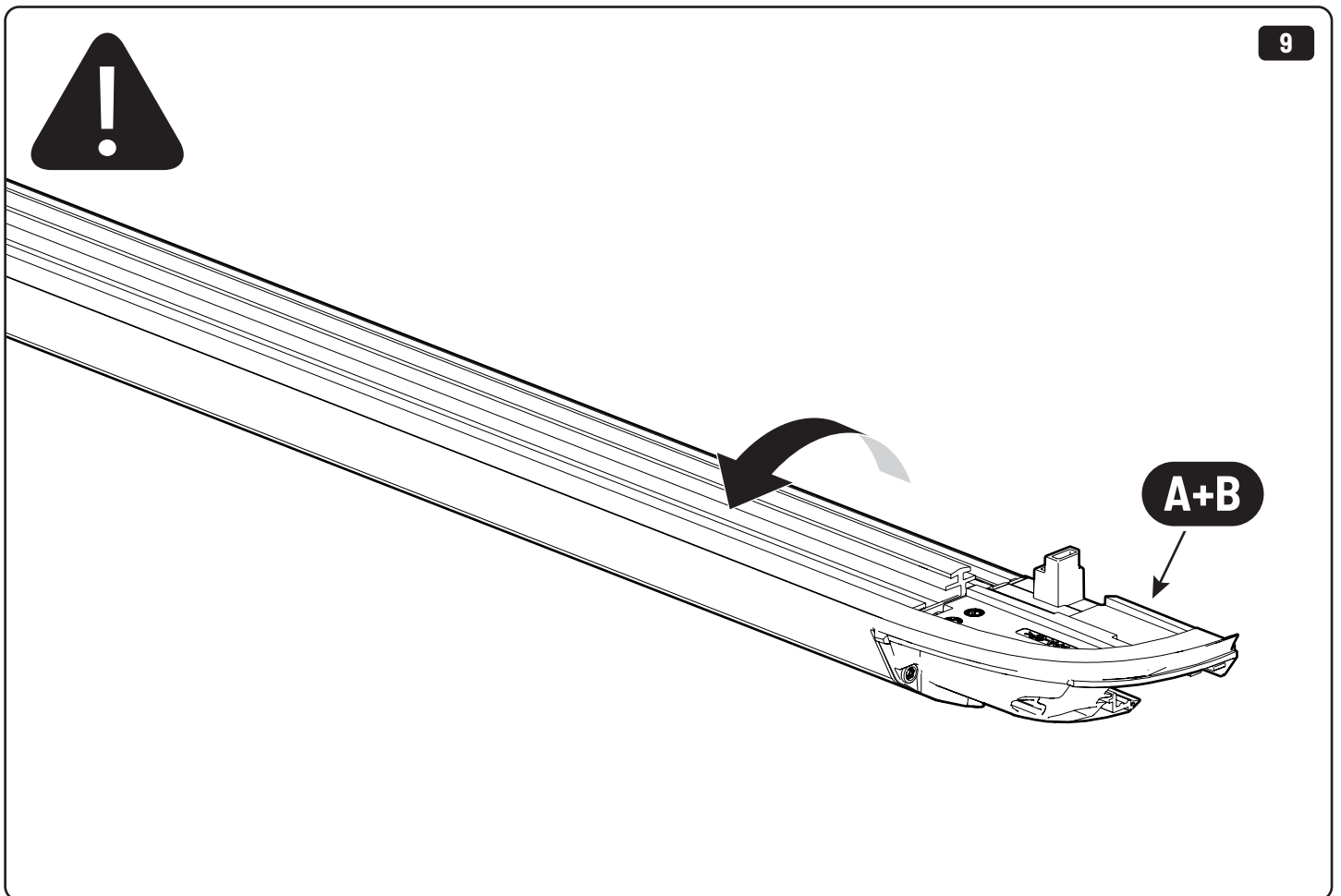
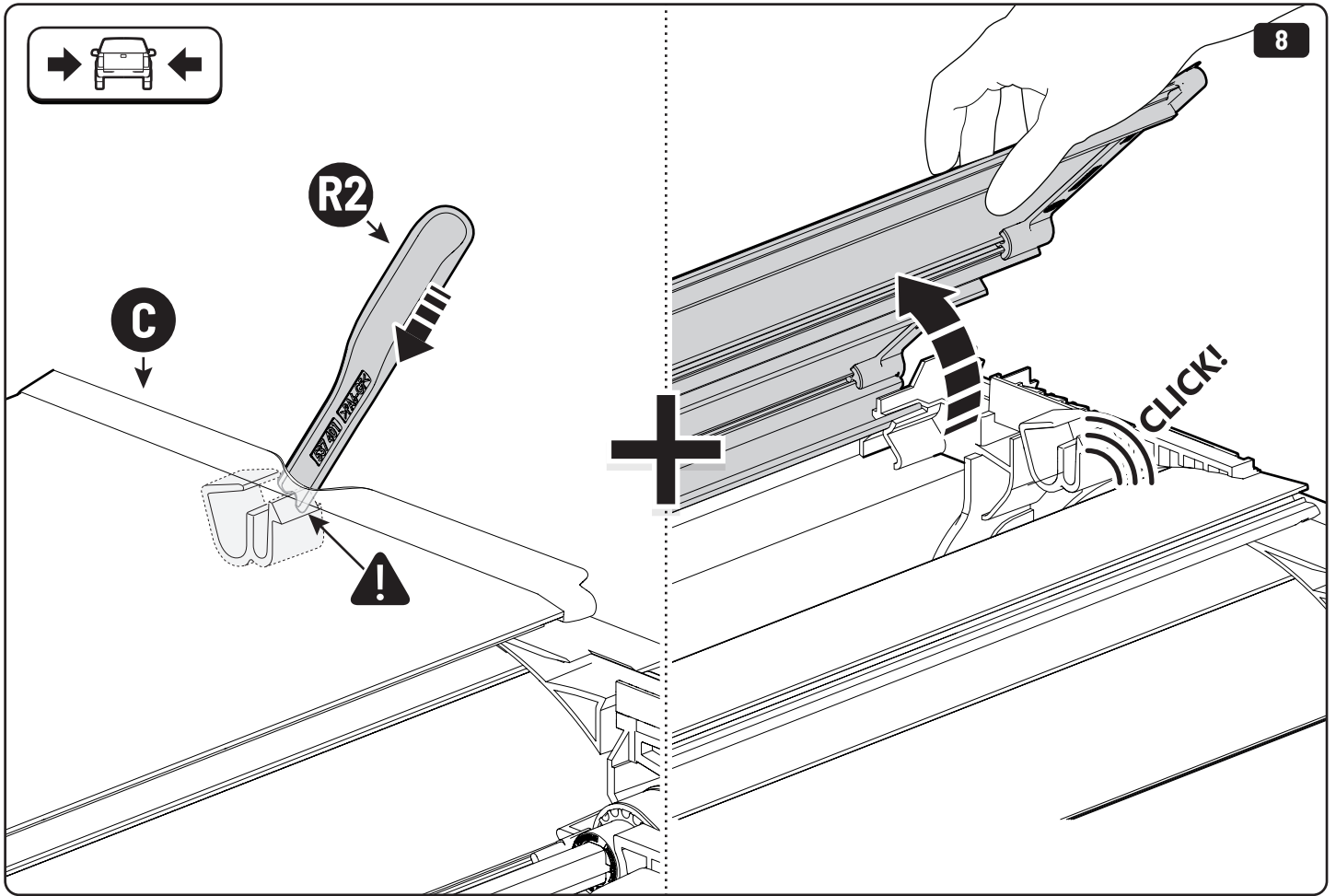


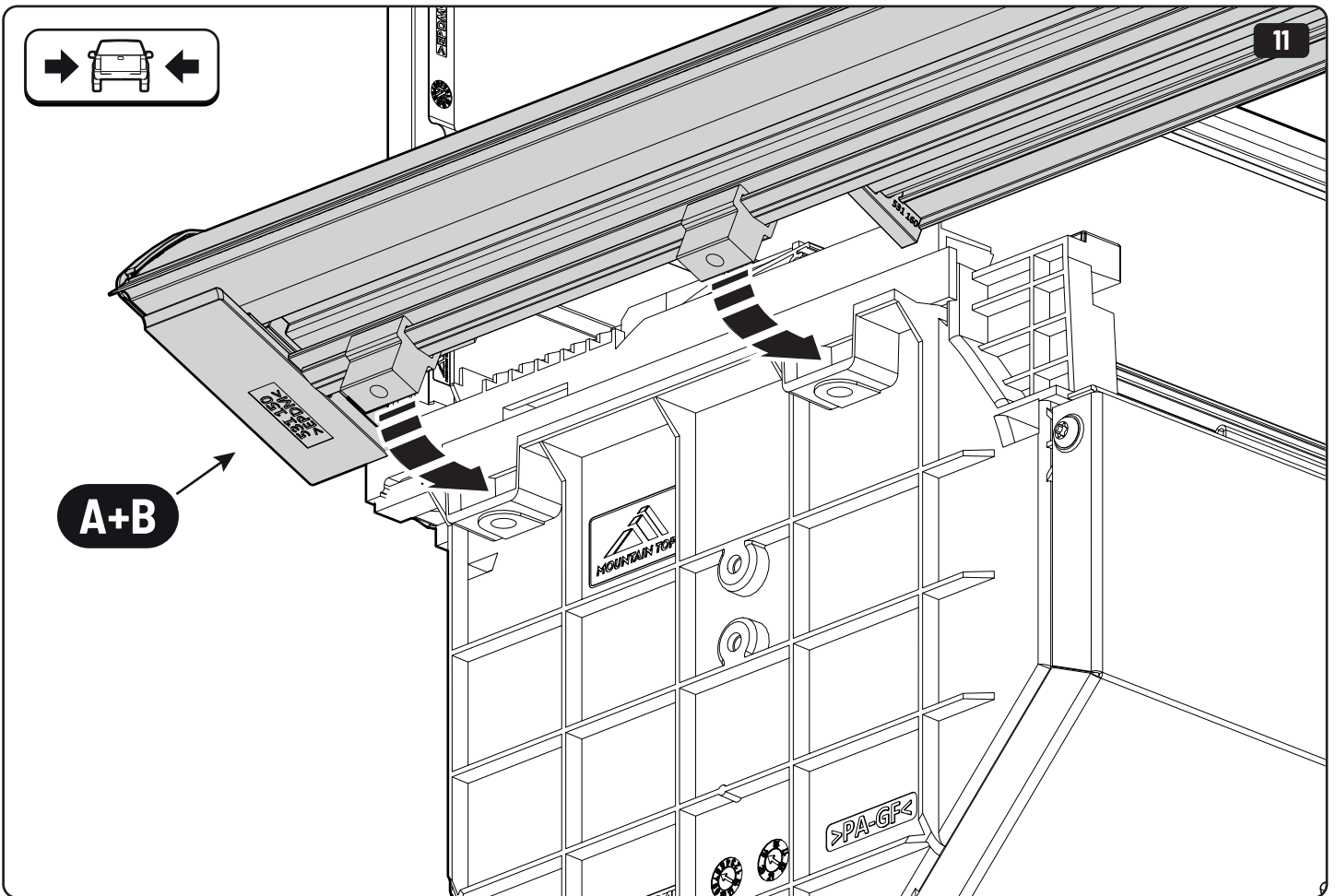
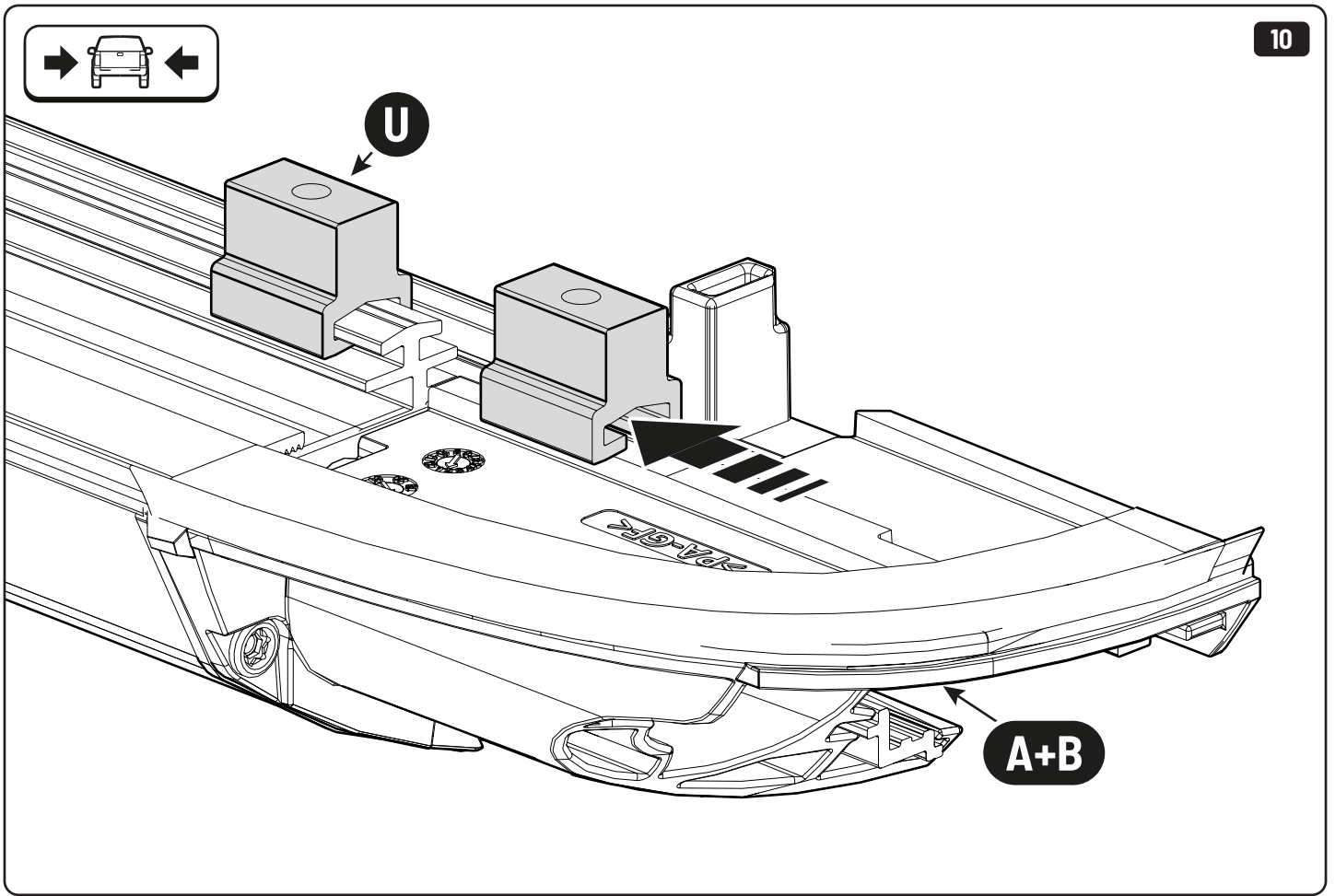
1

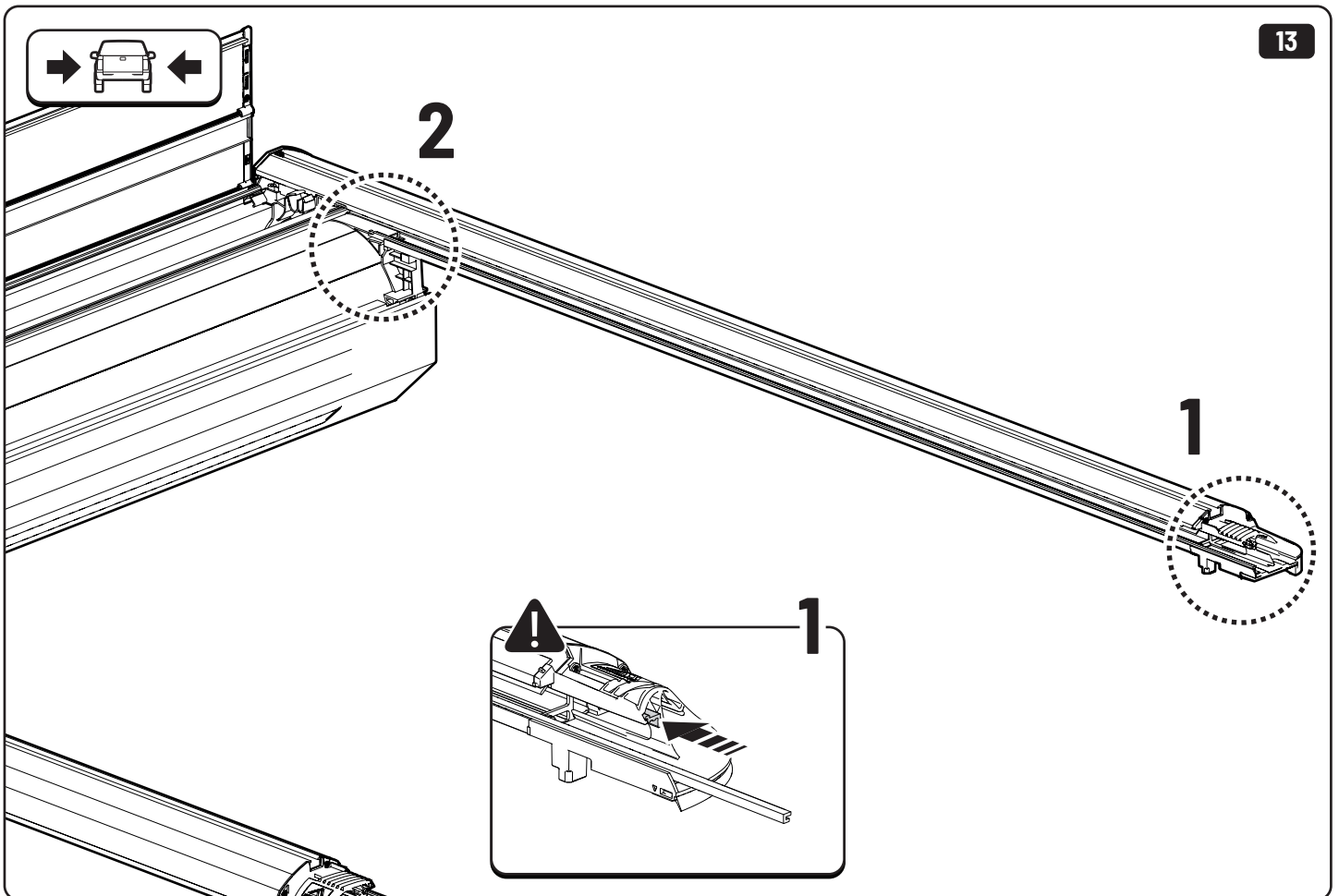
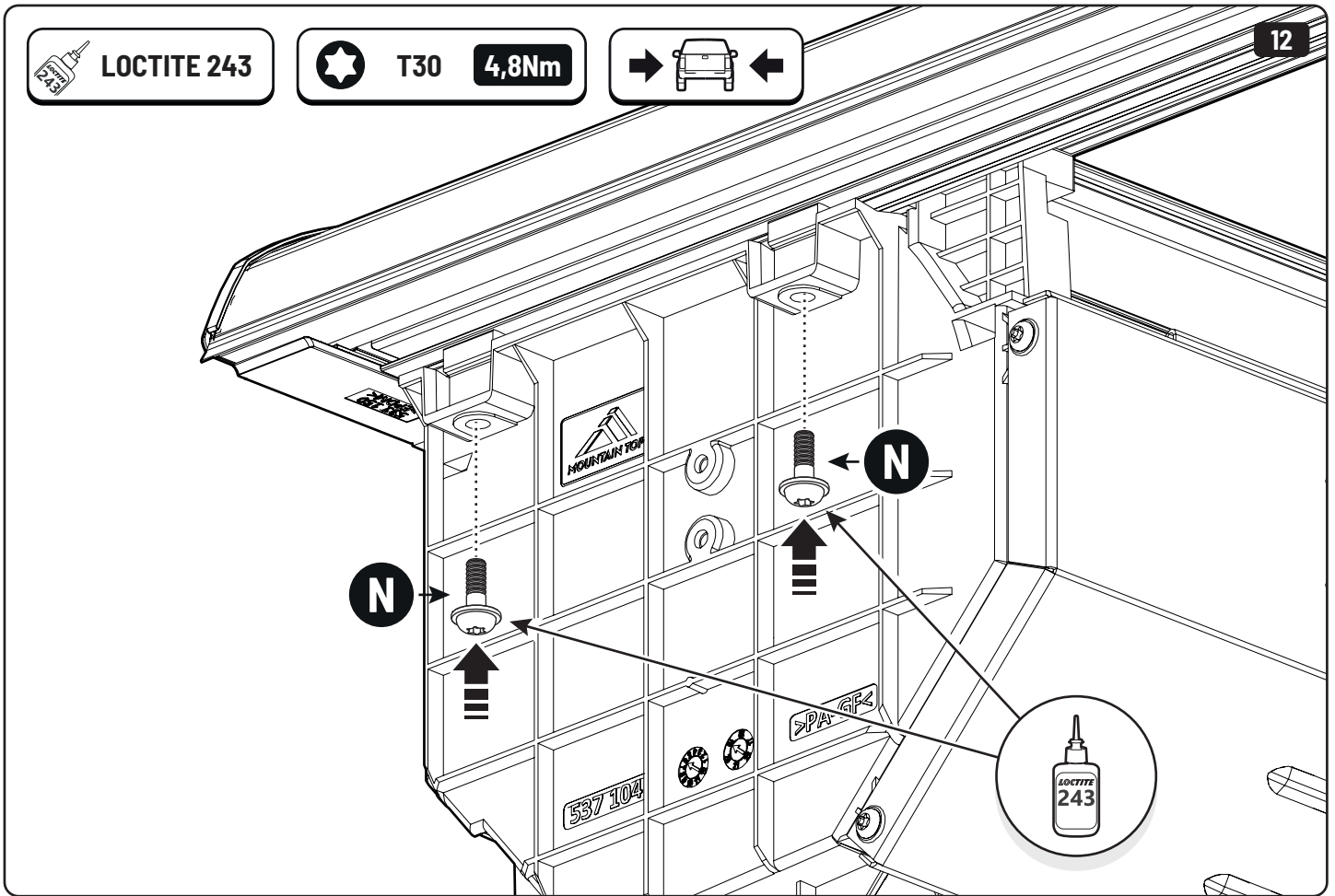


2

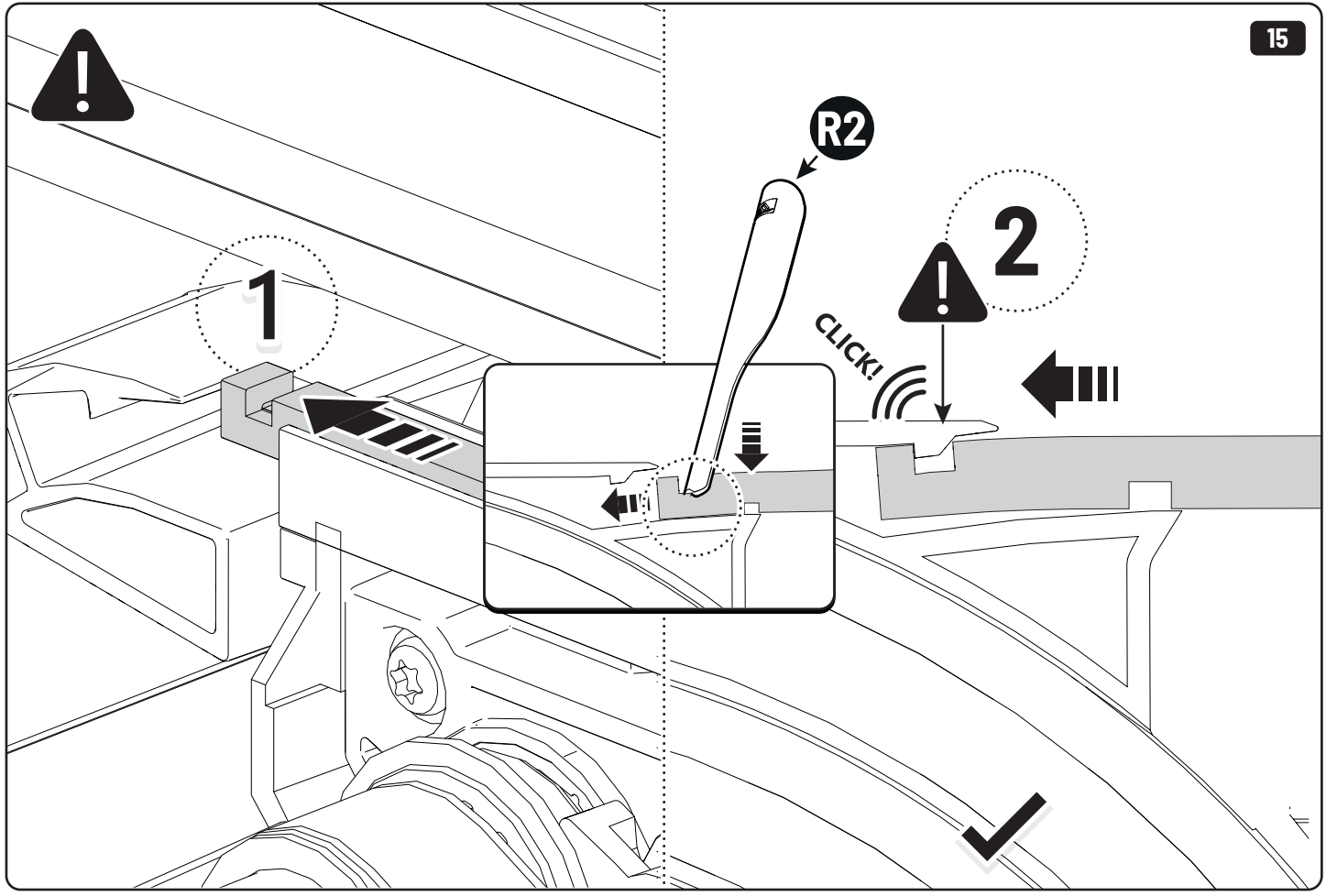
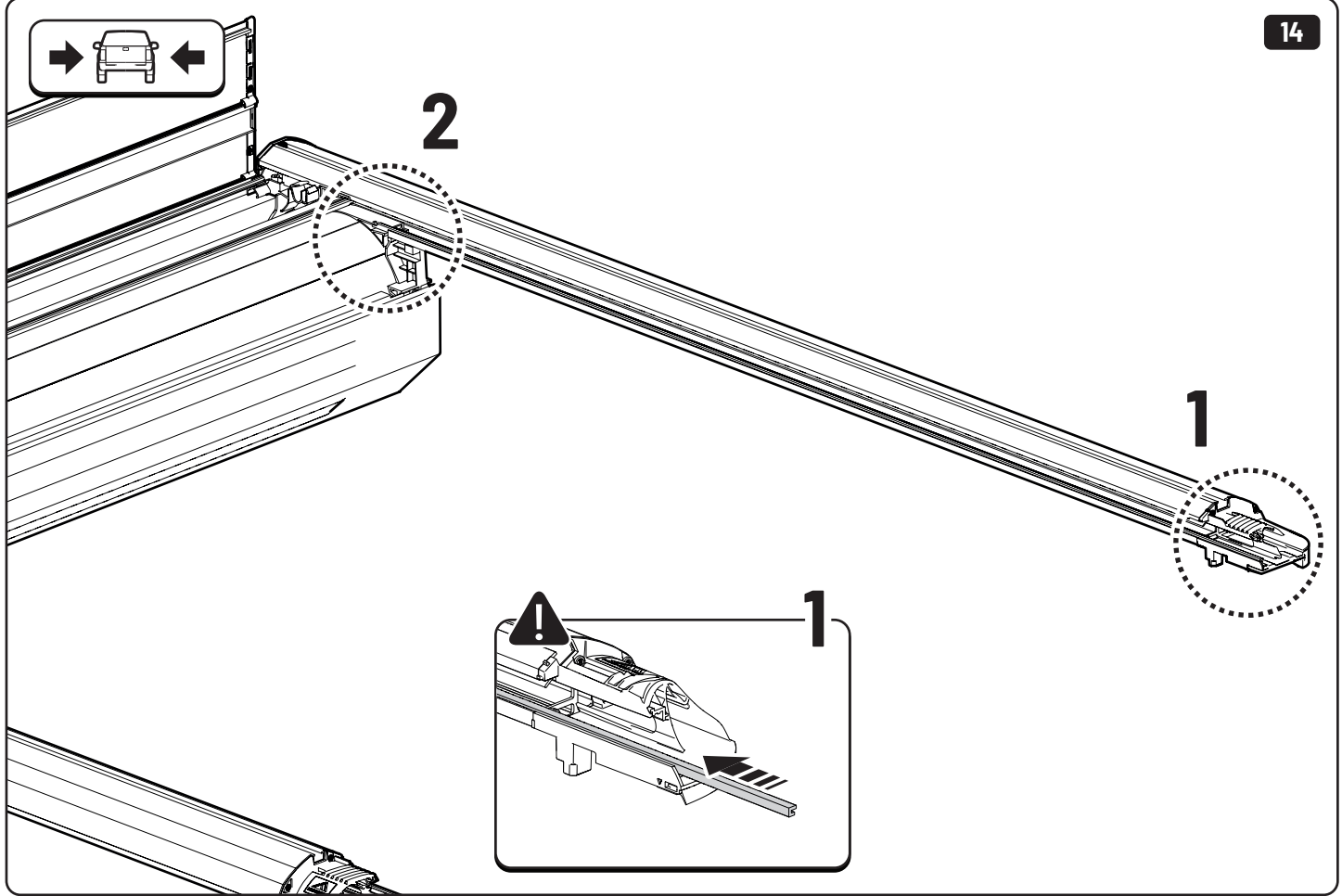






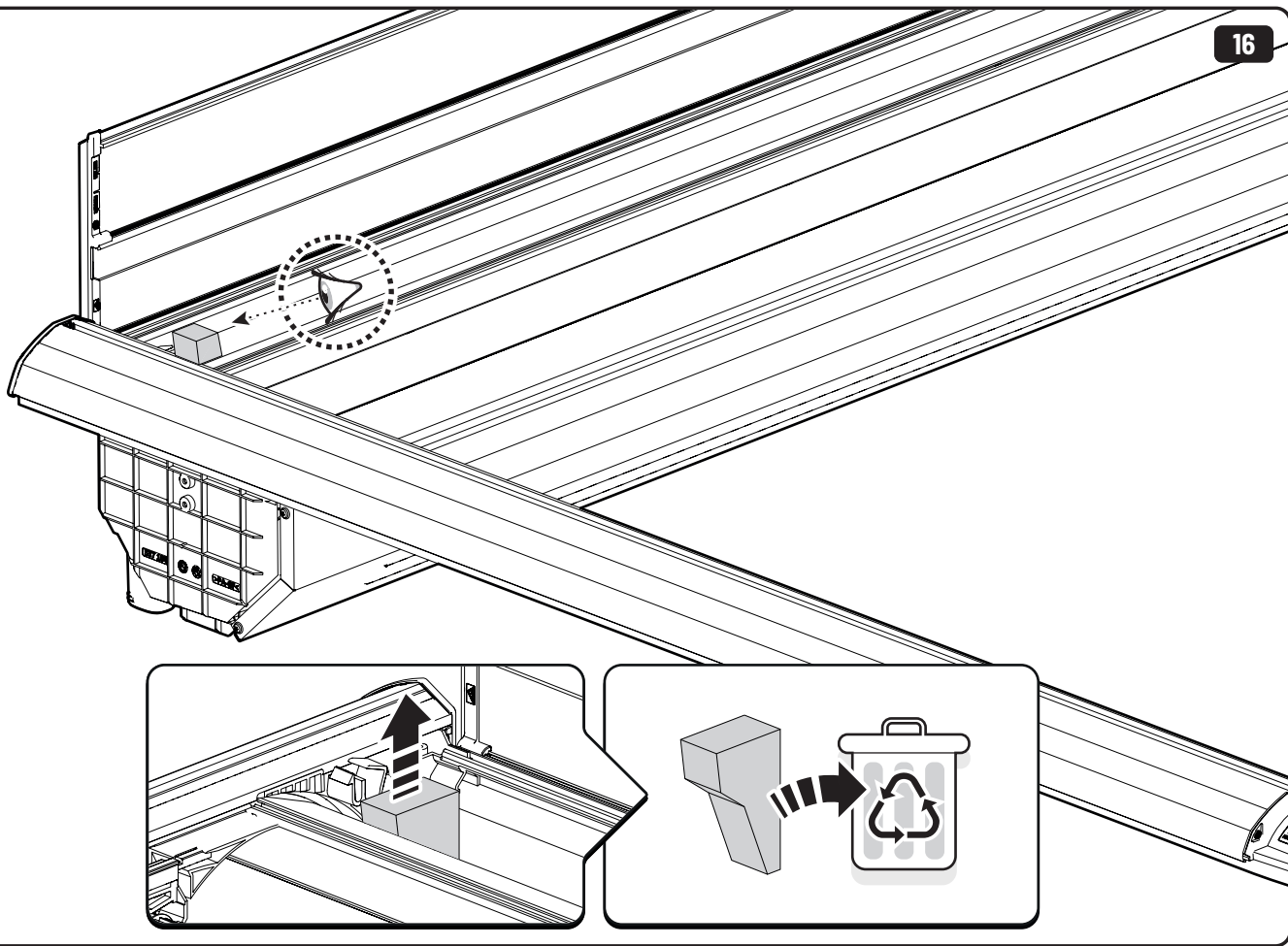




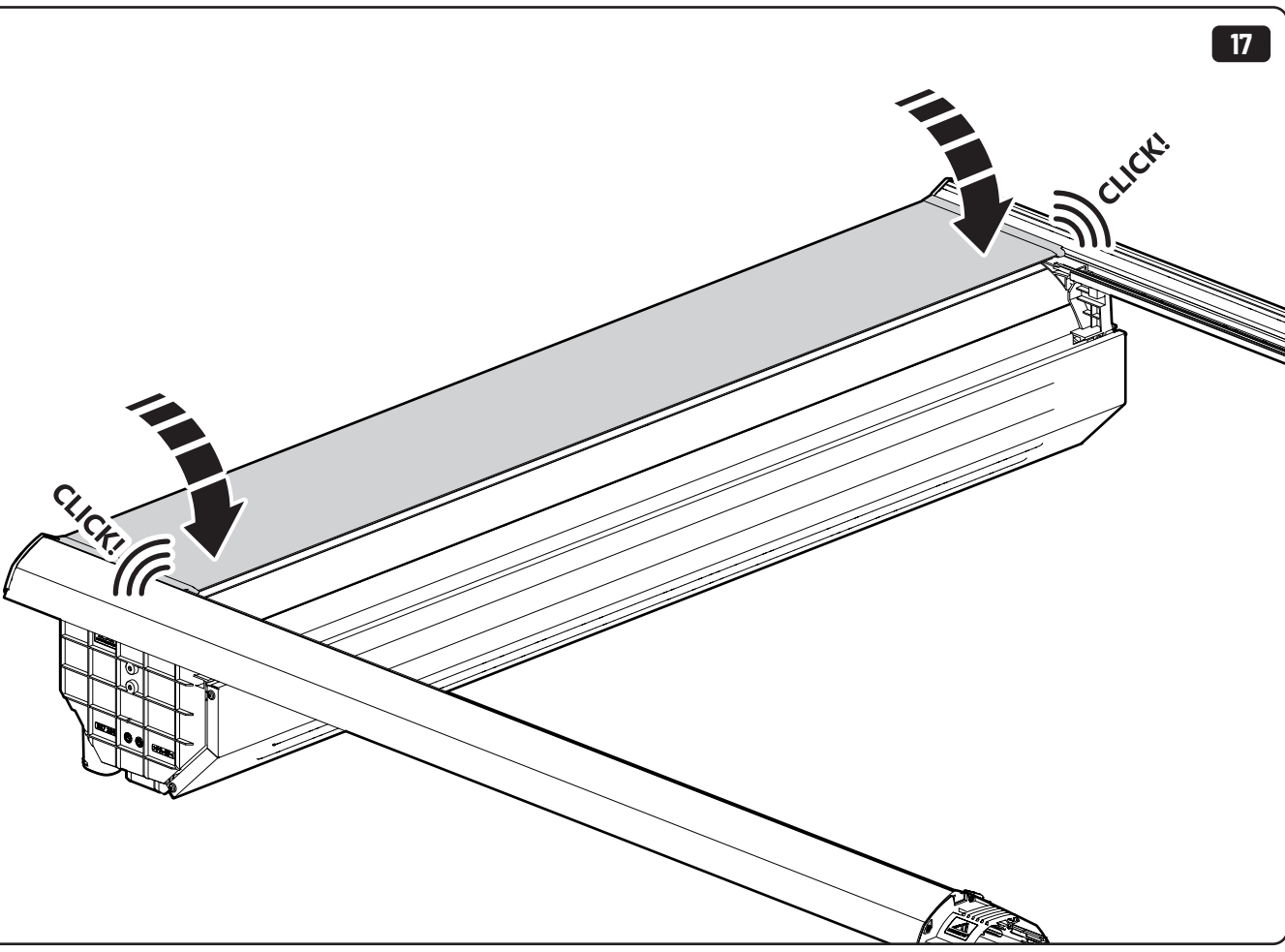


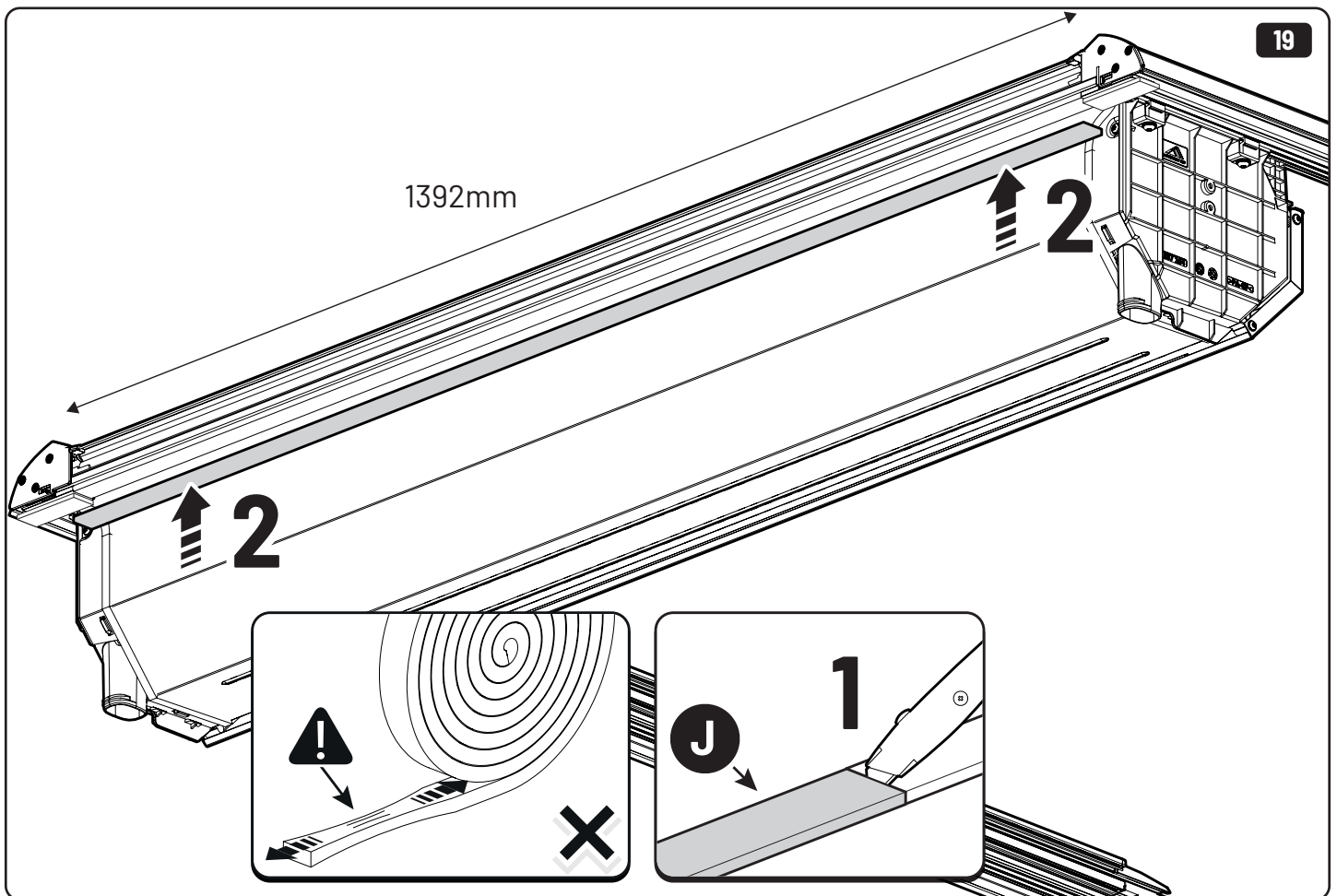
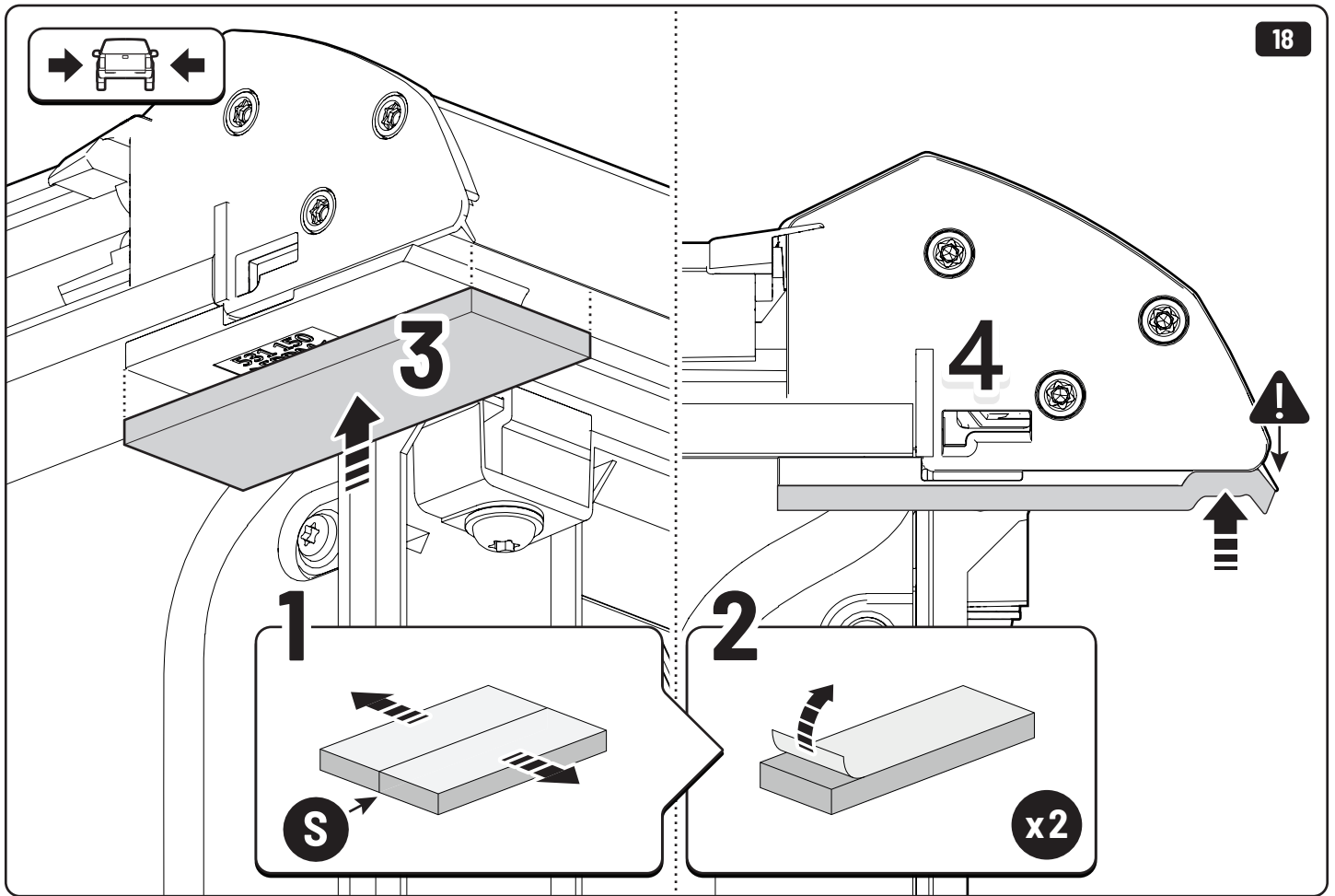


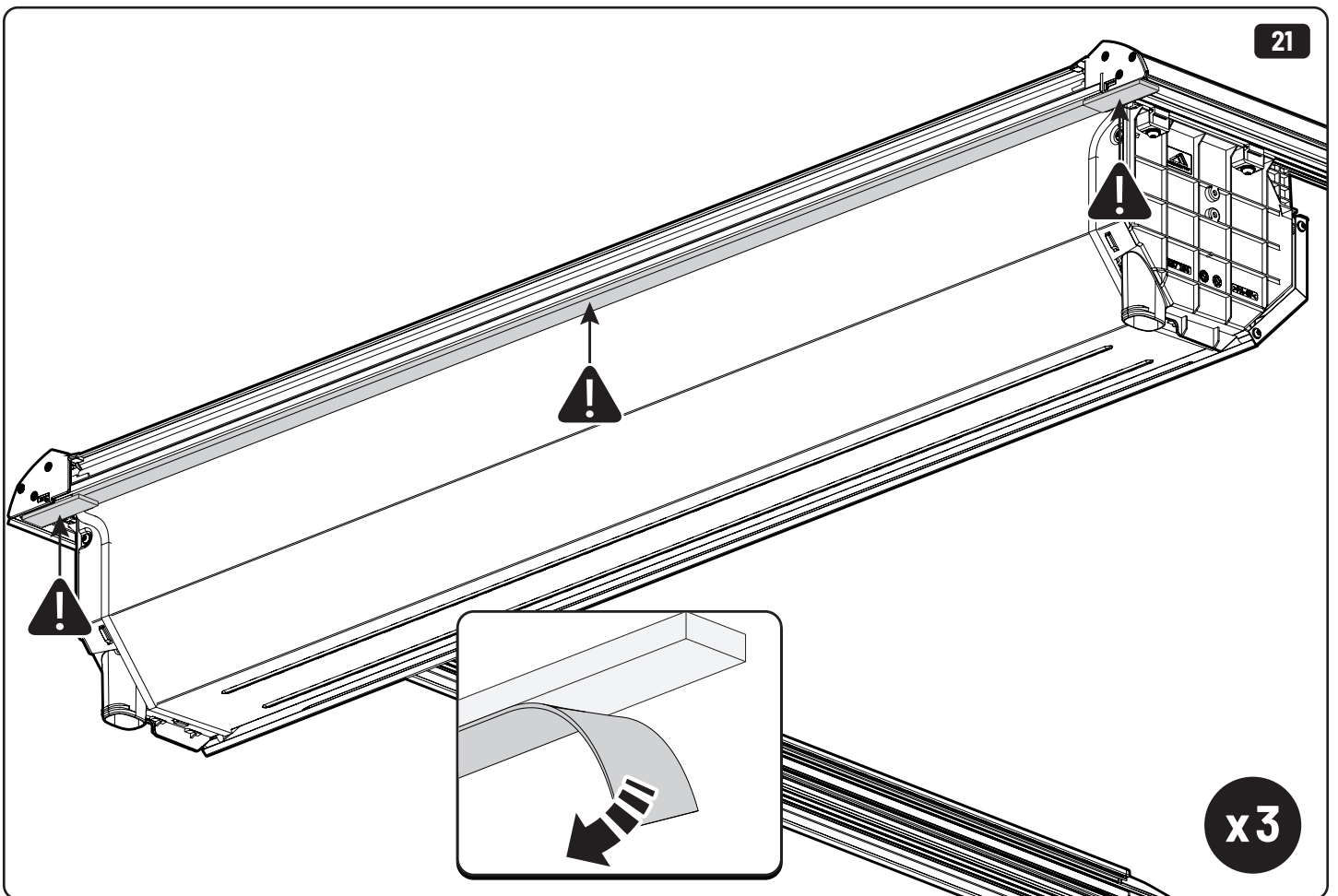
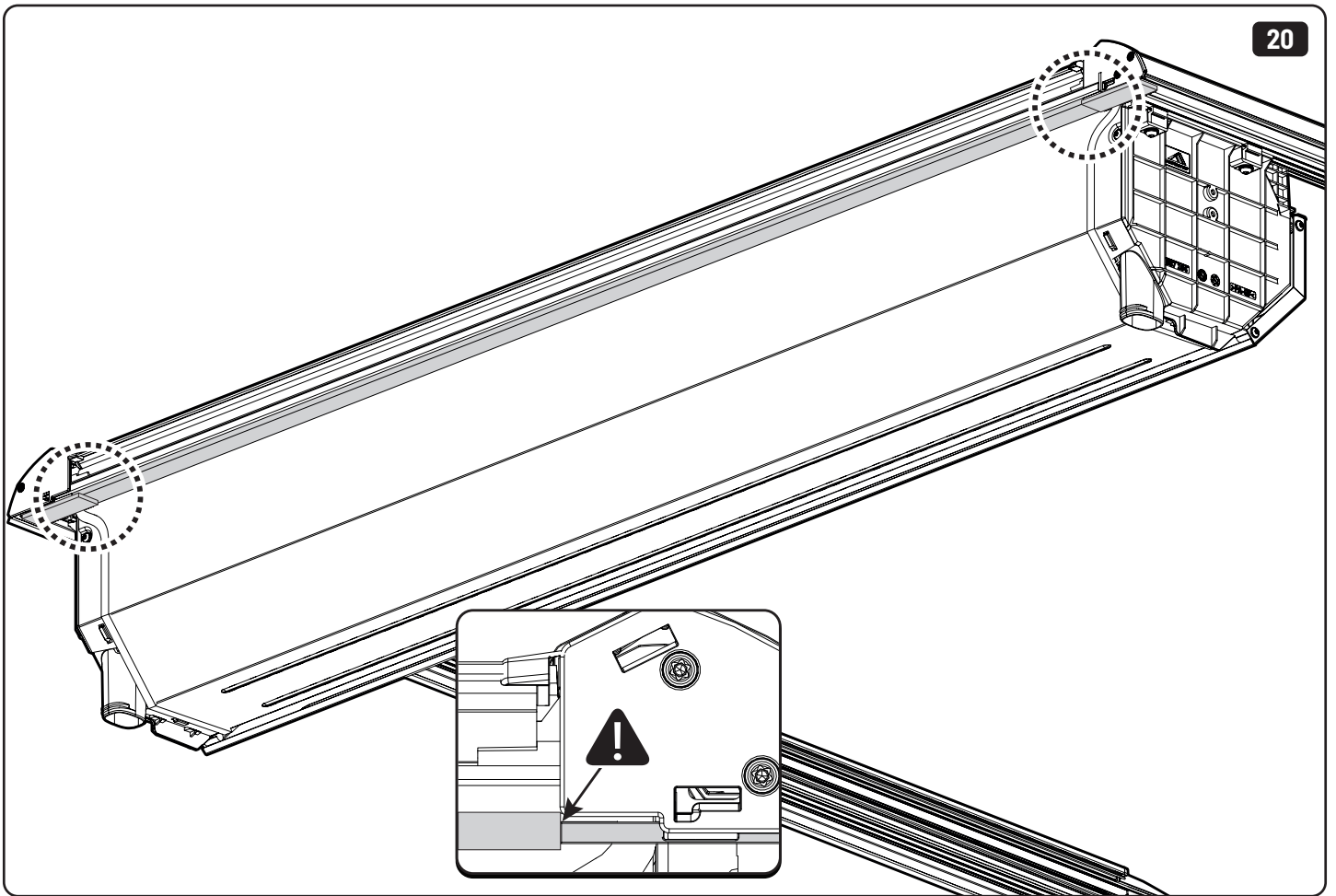
16

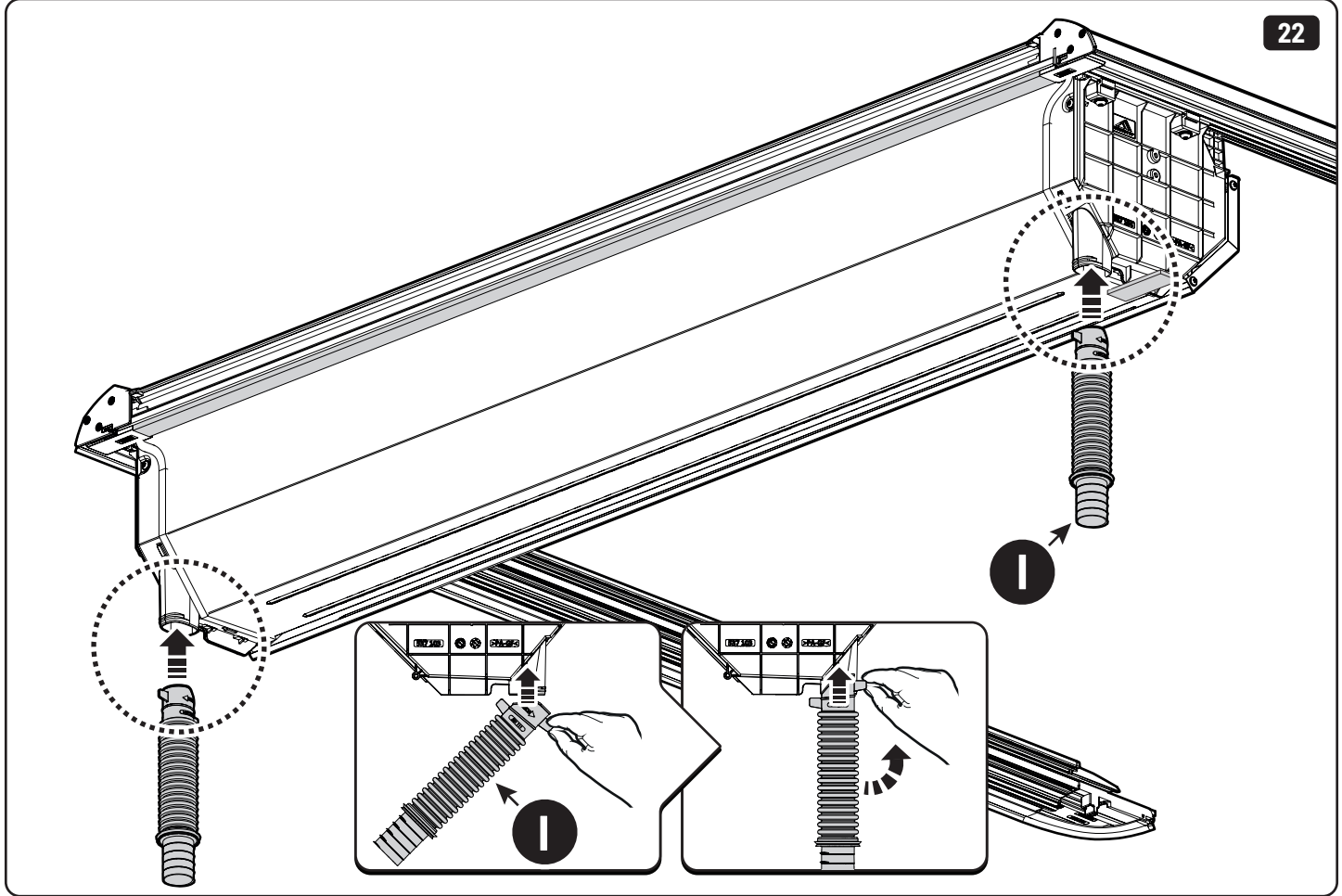


17

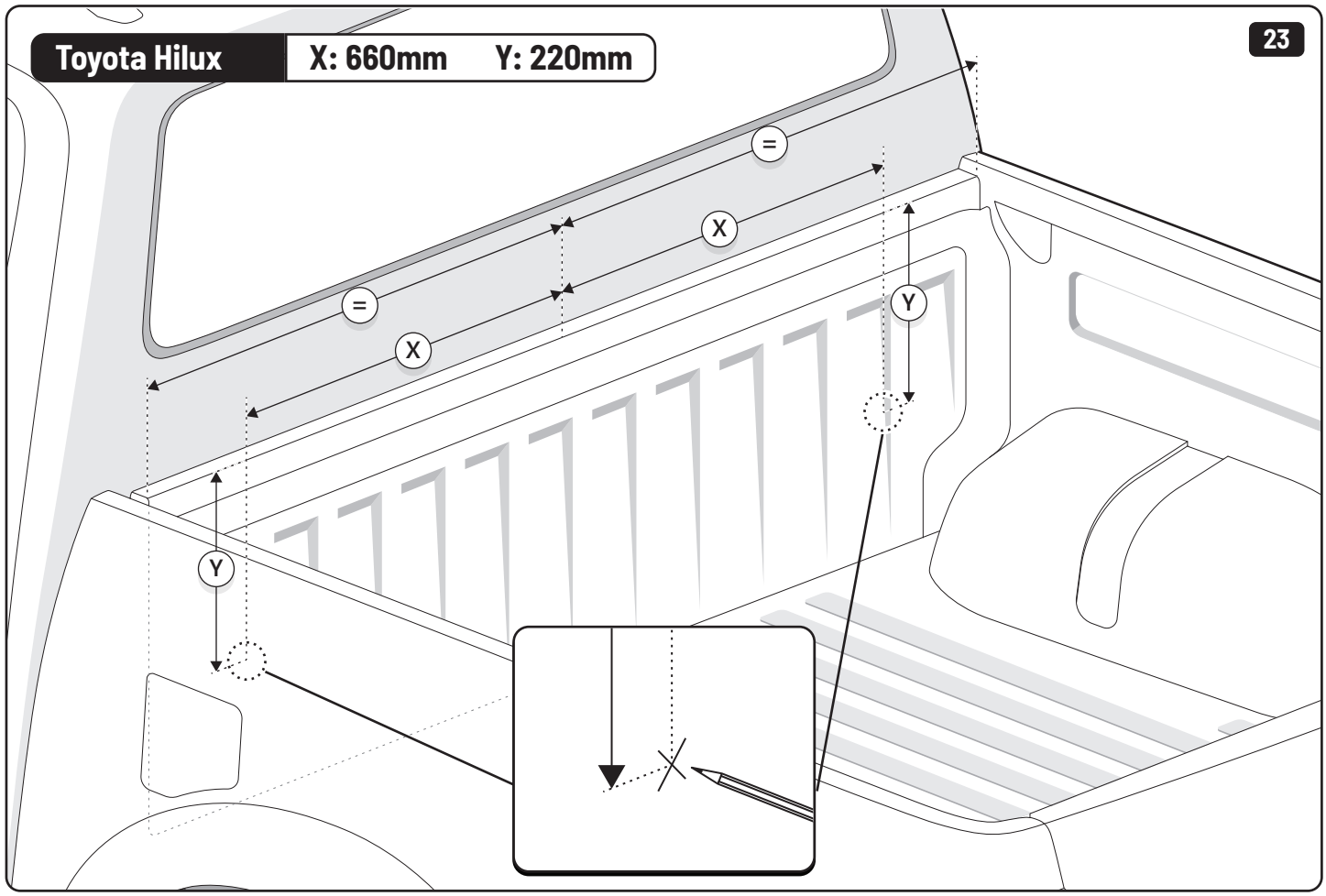


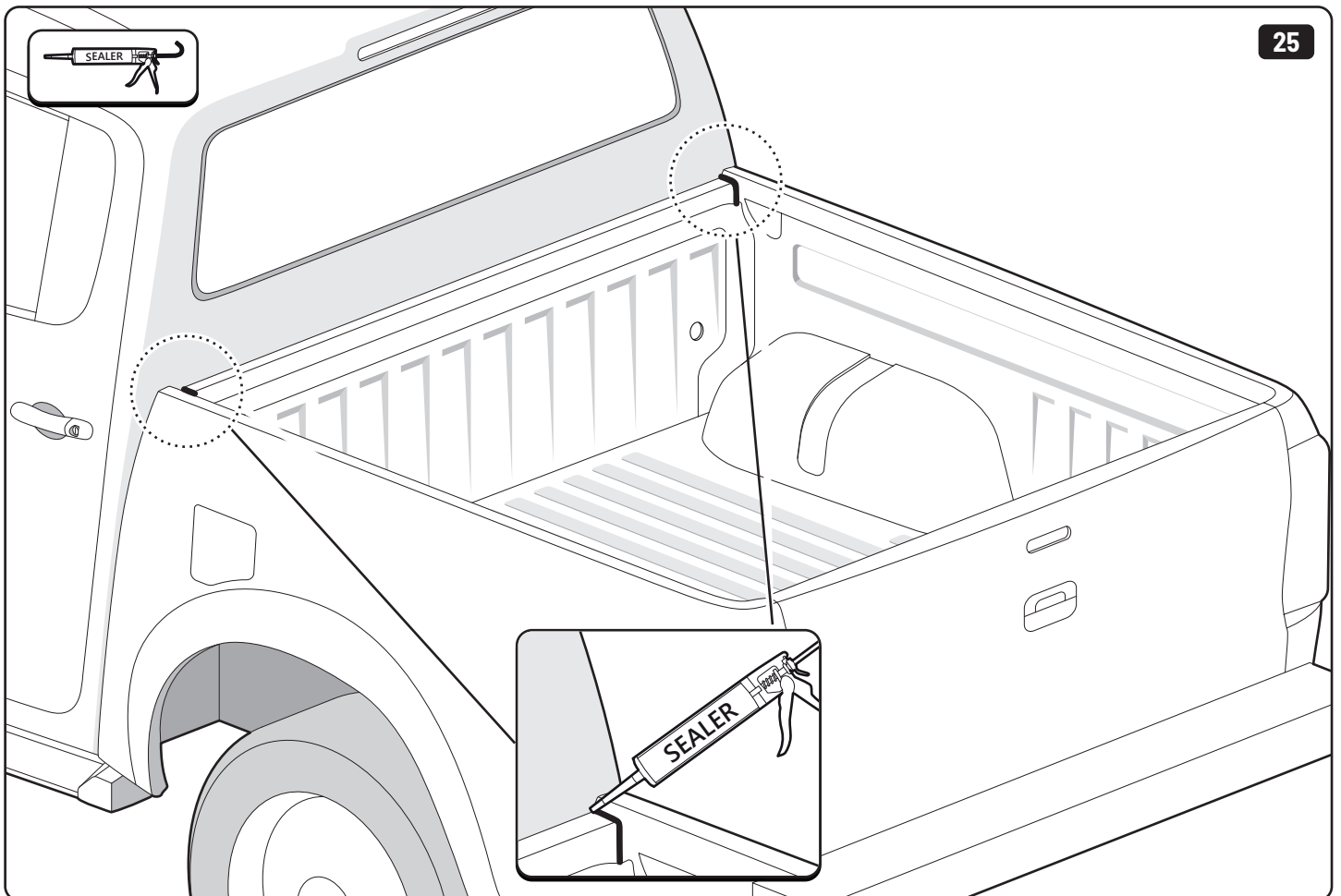
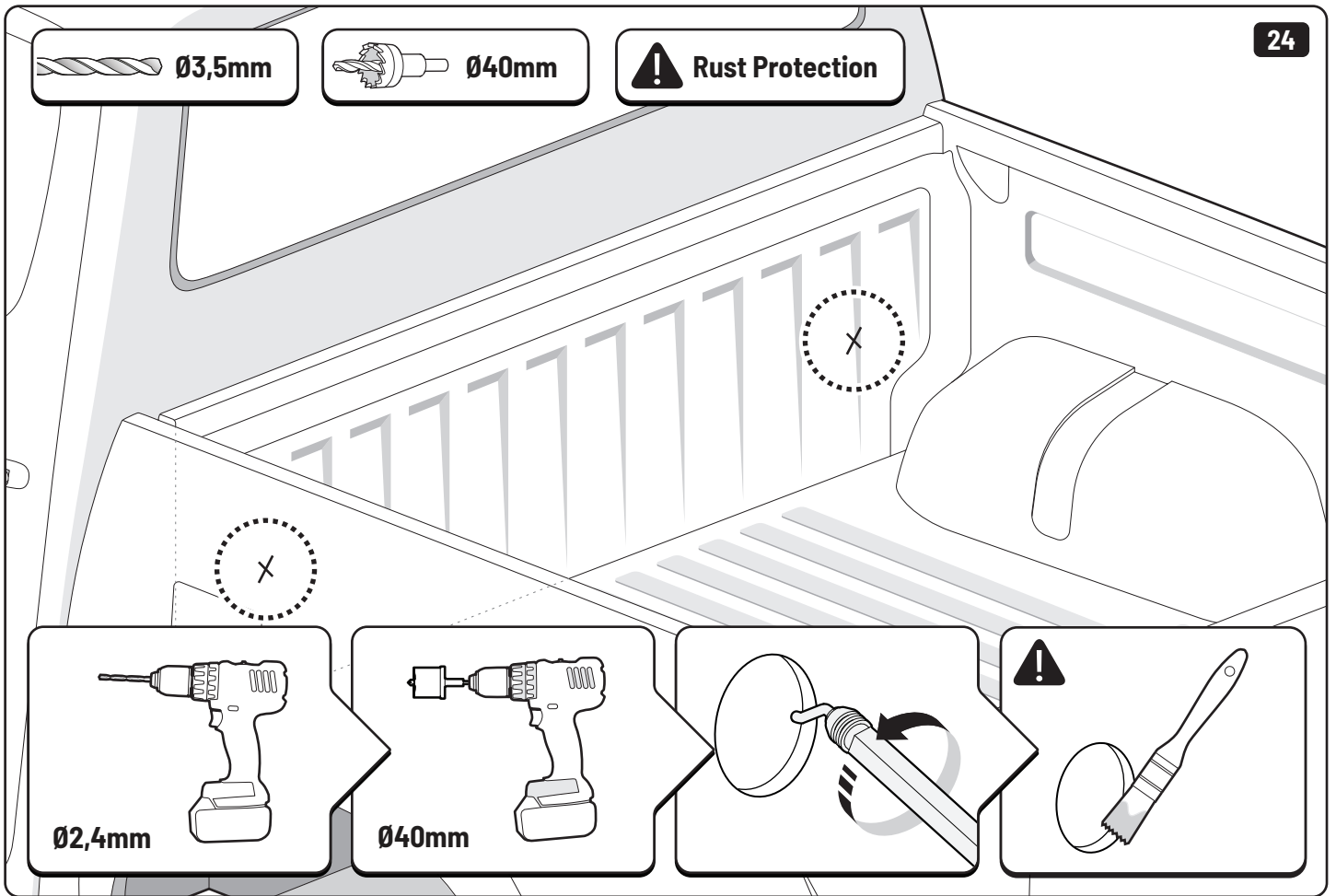


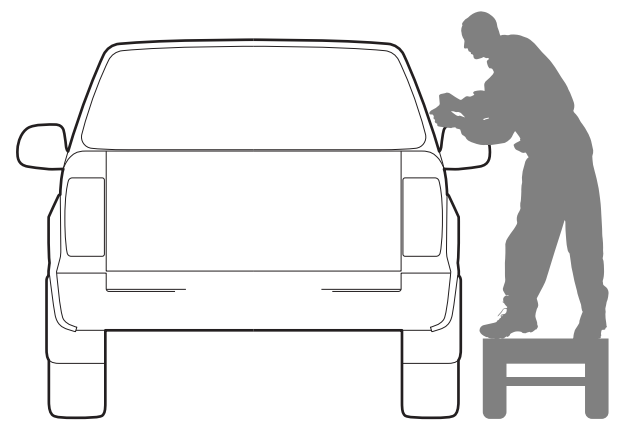
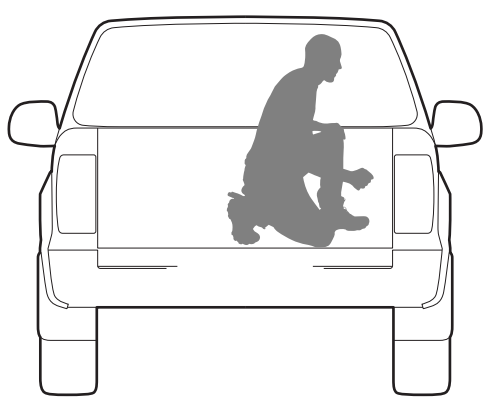
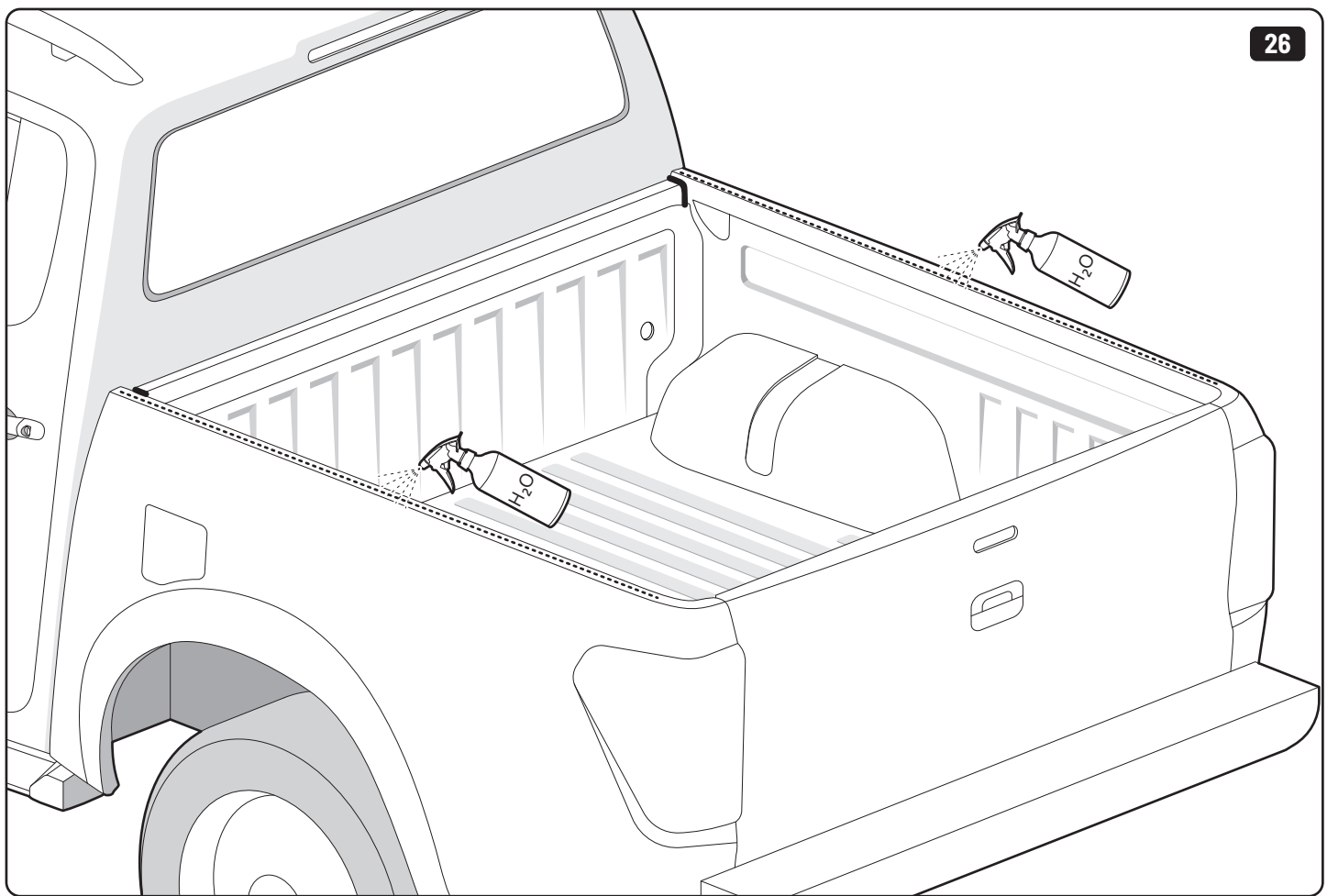




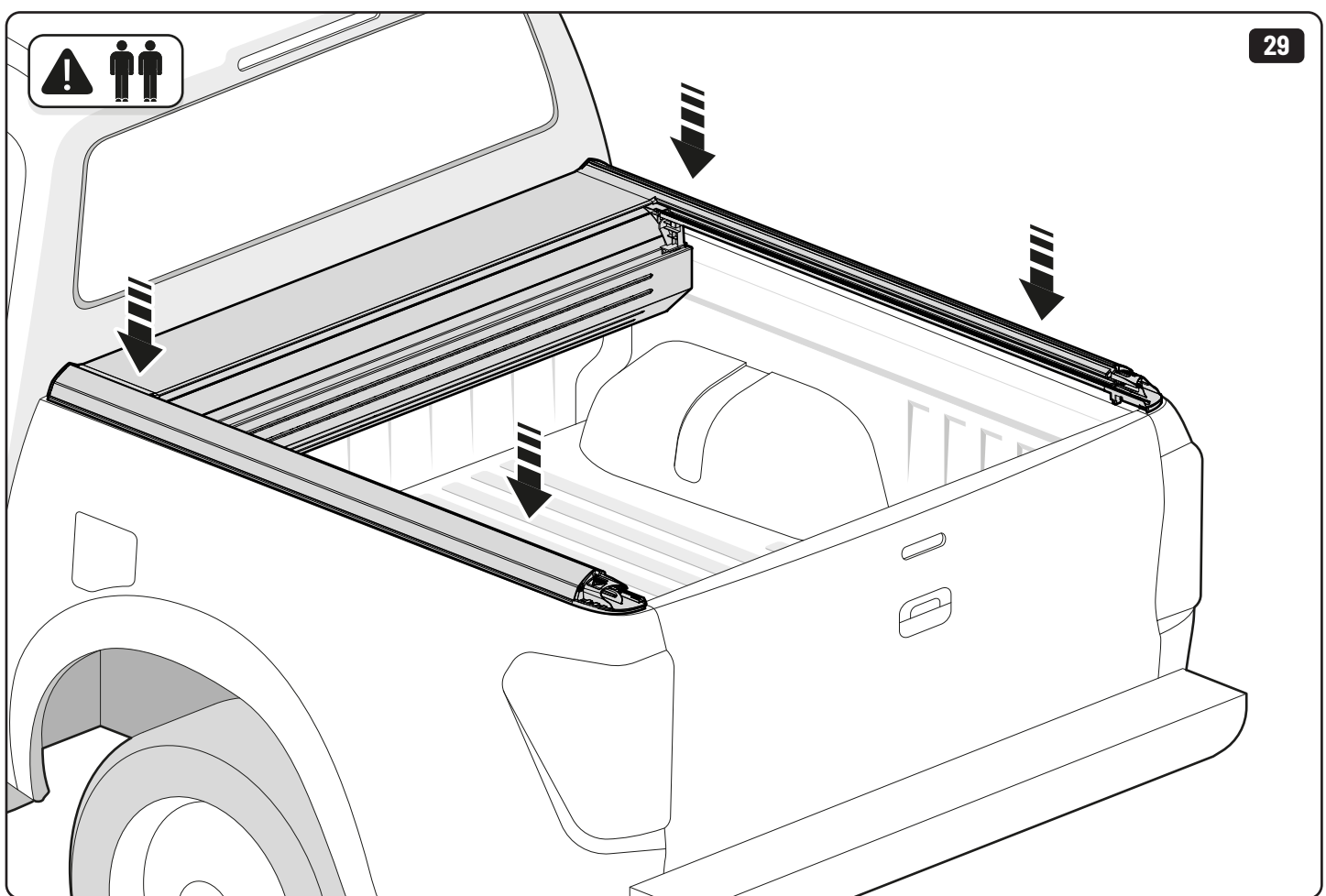
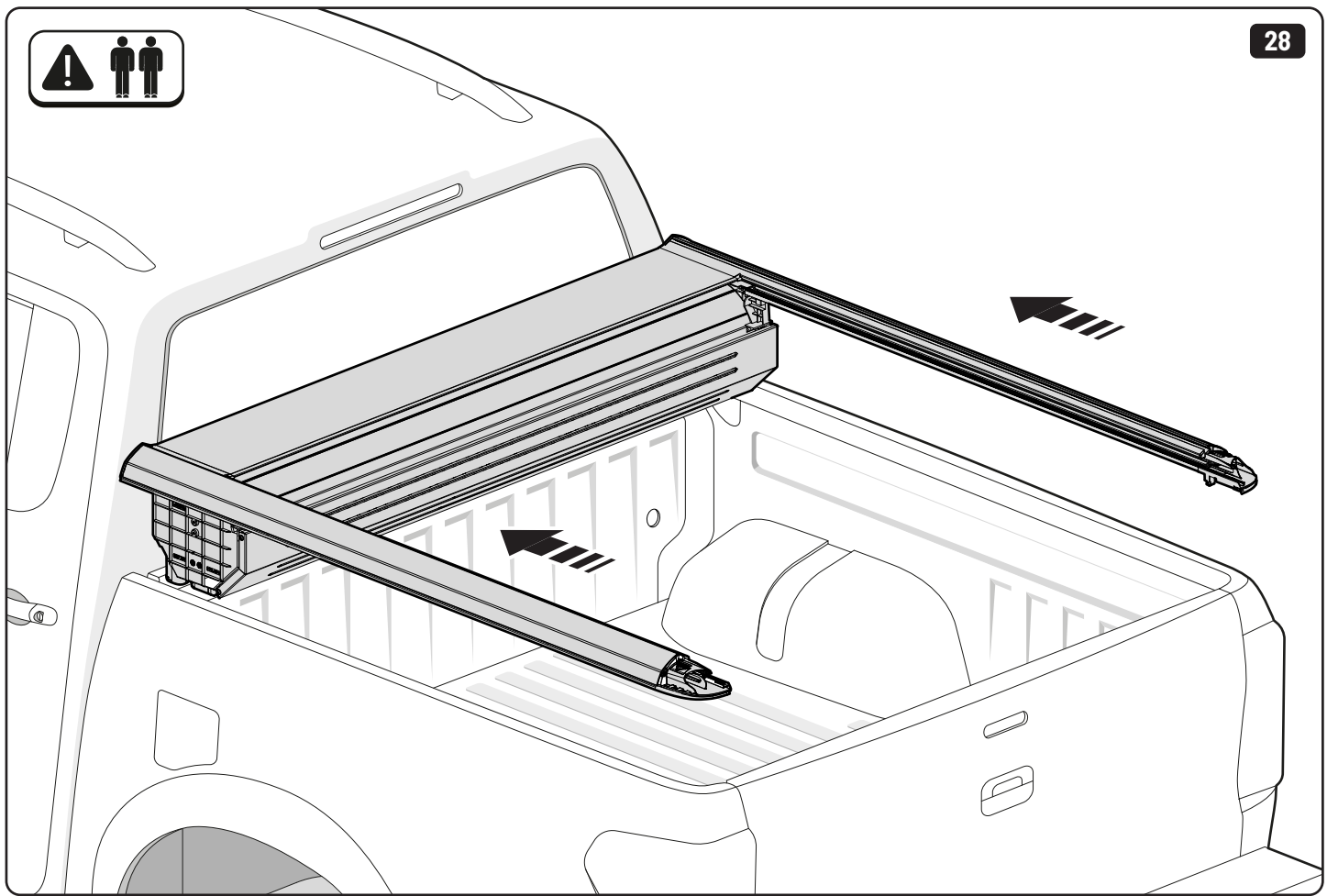
**Toyota Hilux**    X: 660mm    Y: 220mm

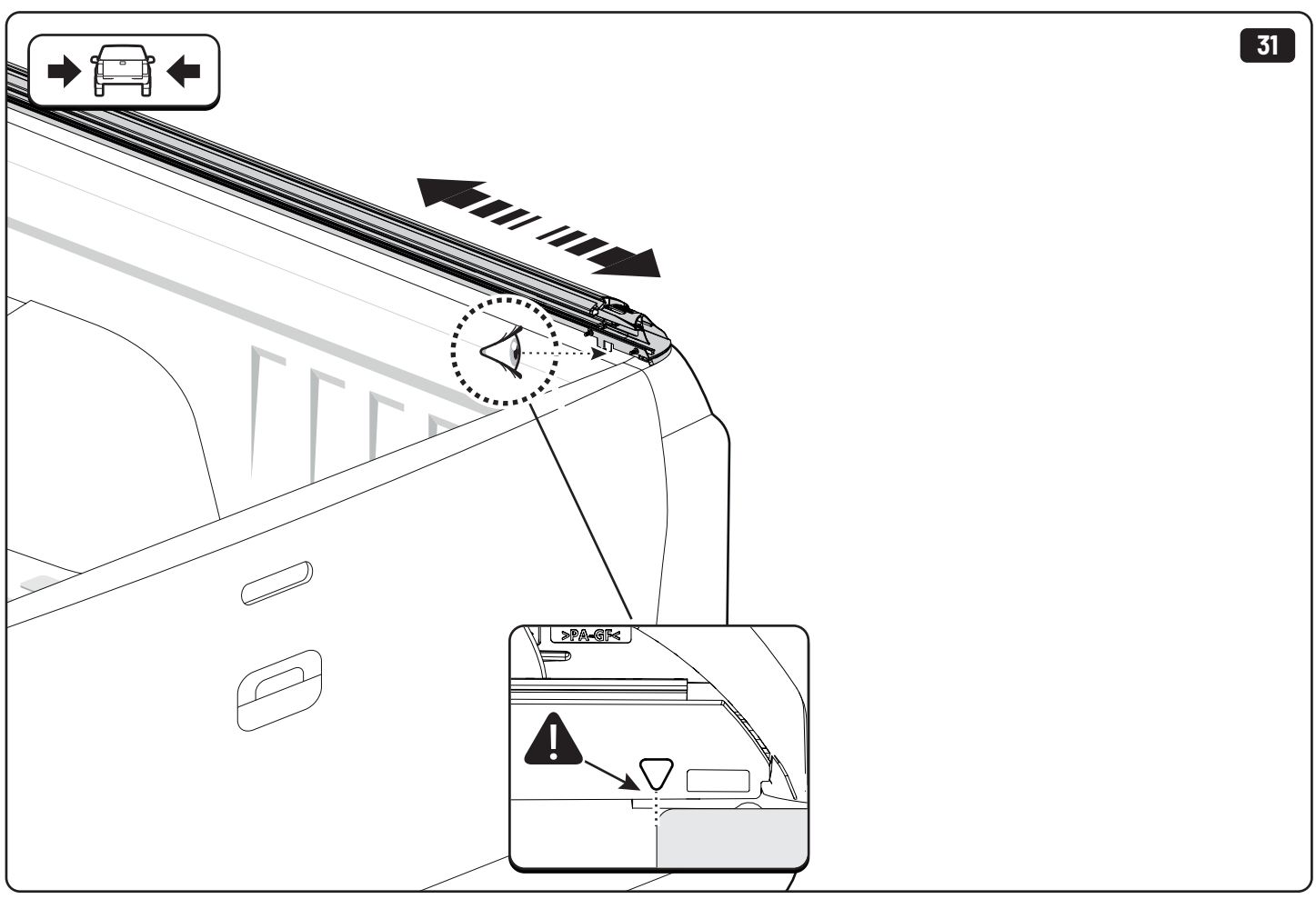
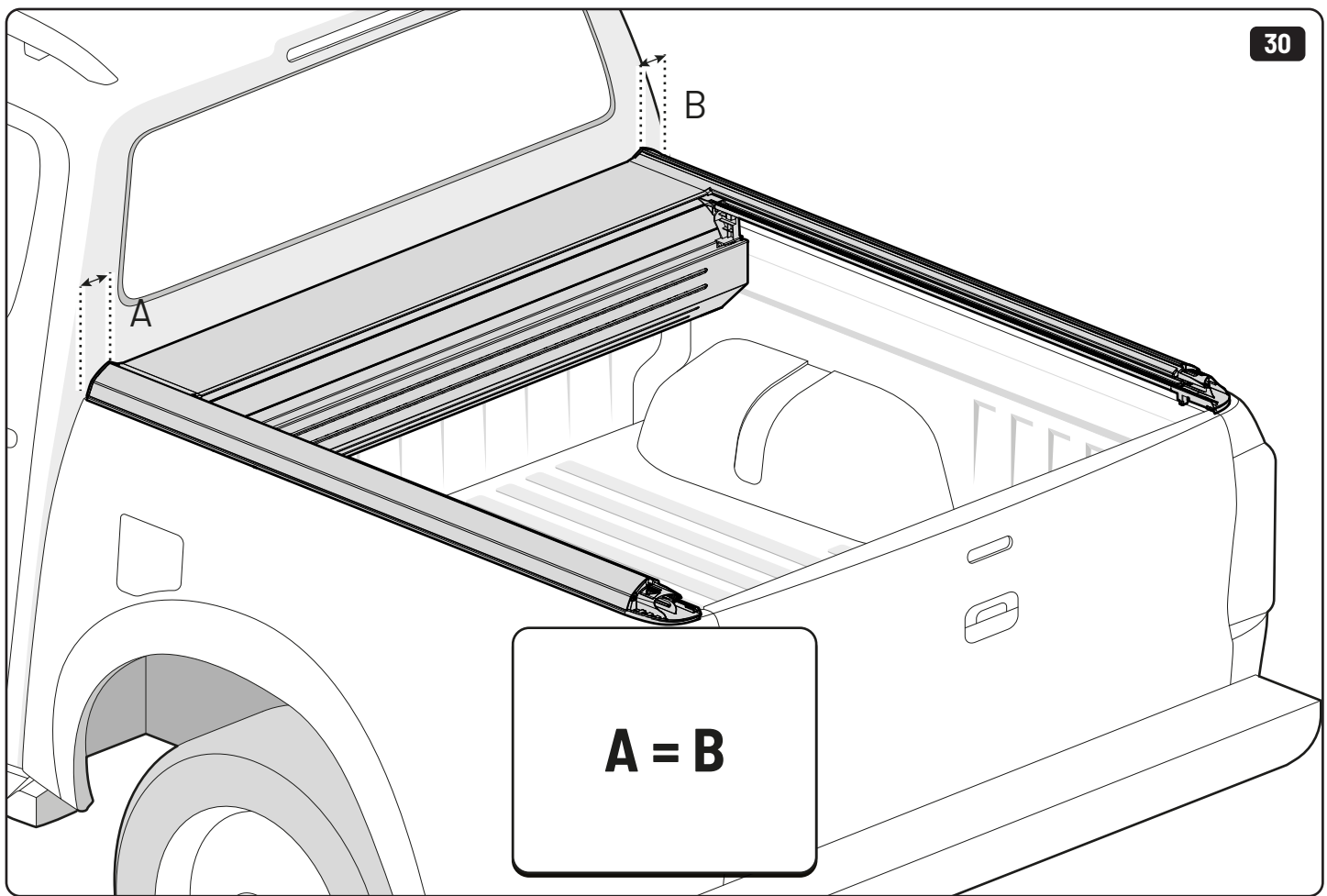




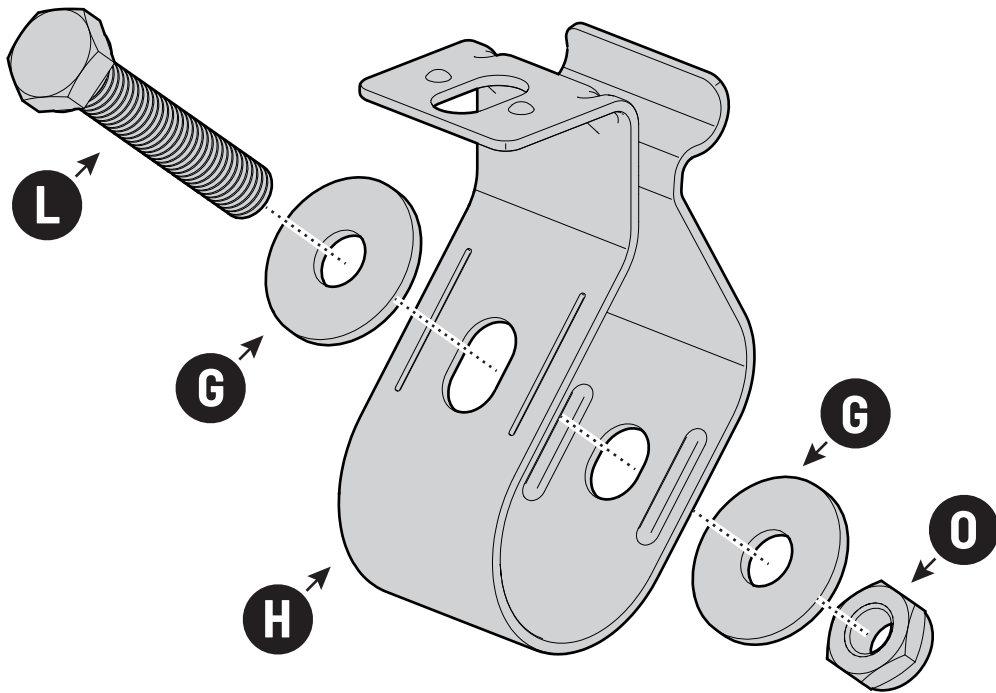




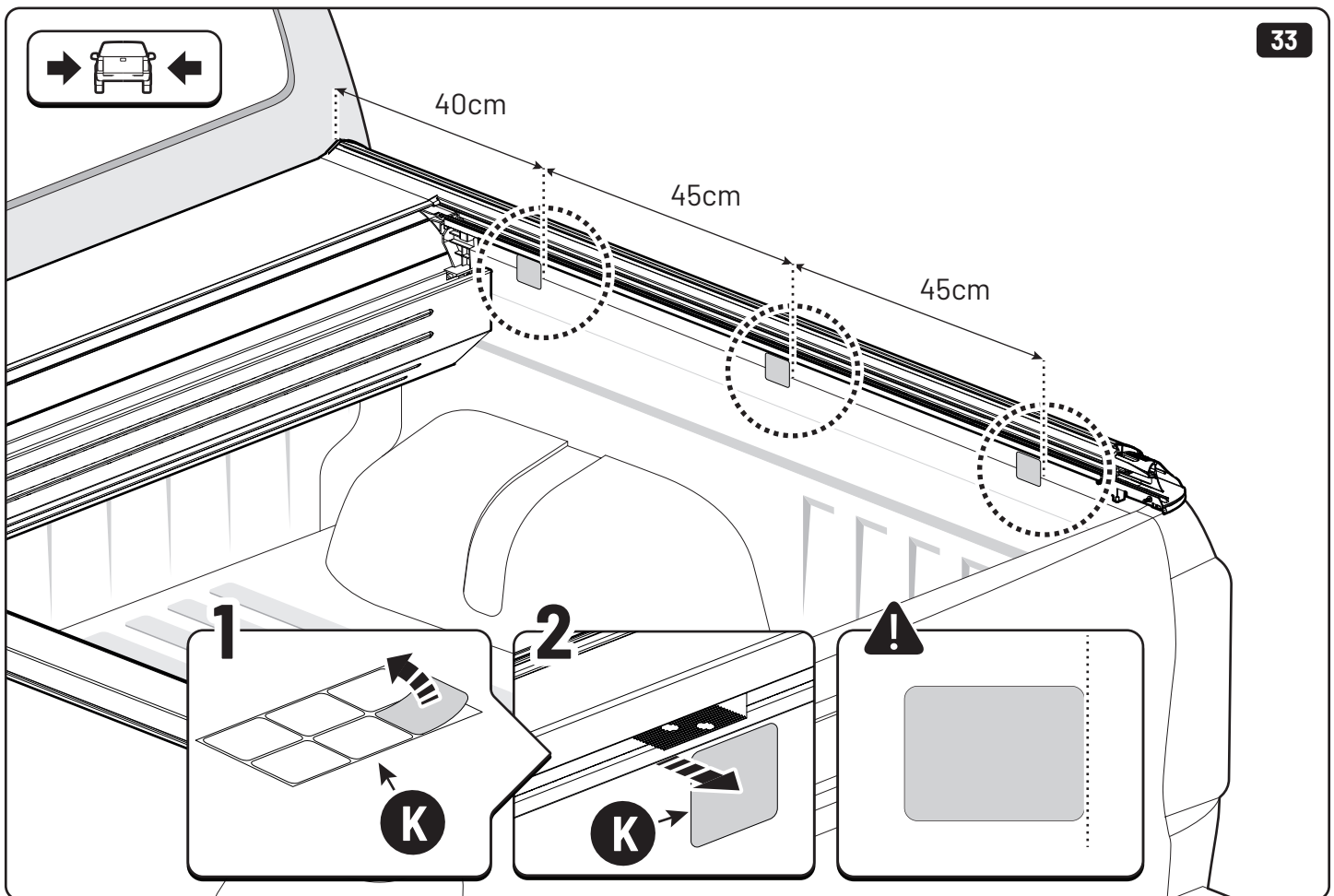


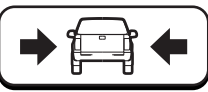
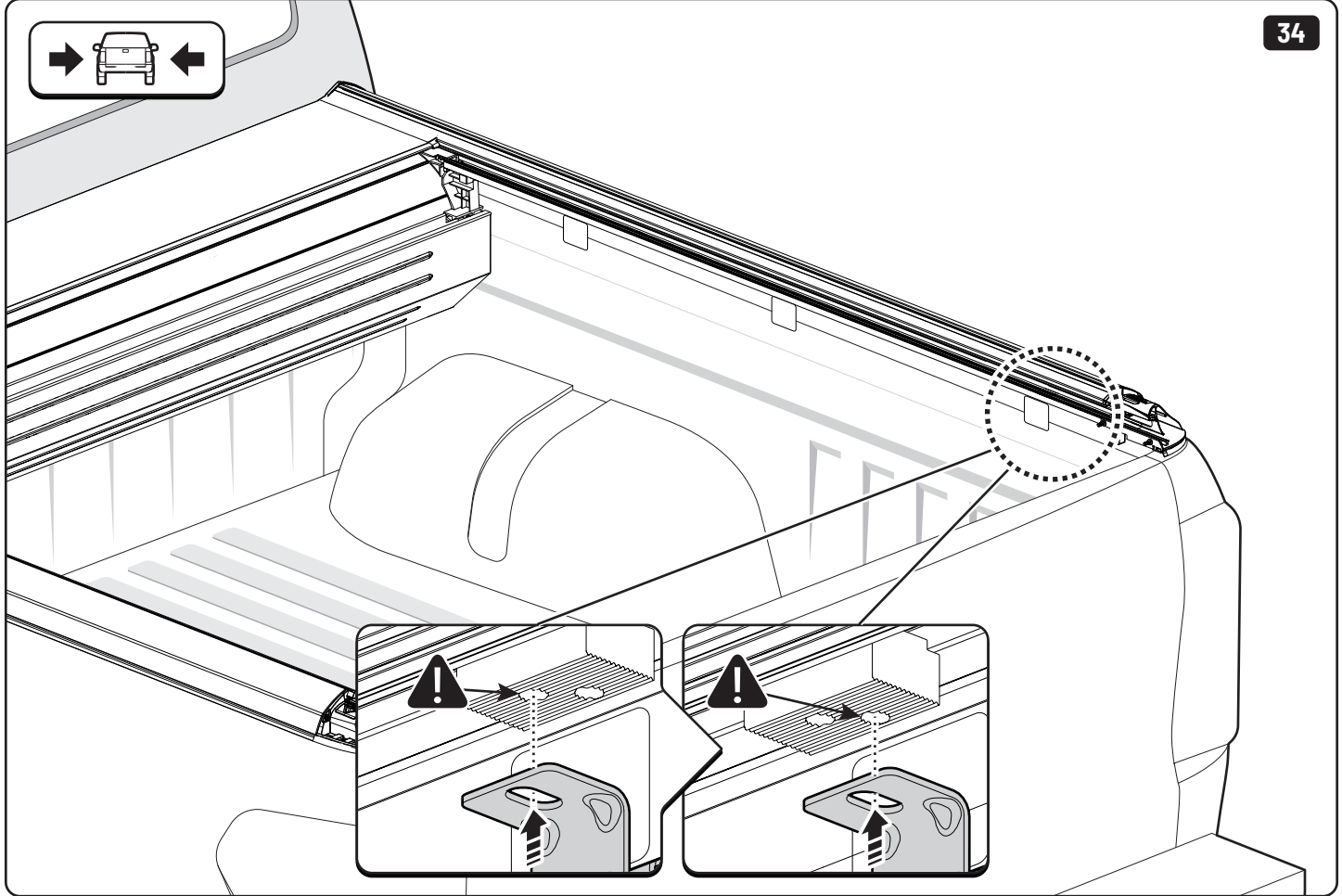




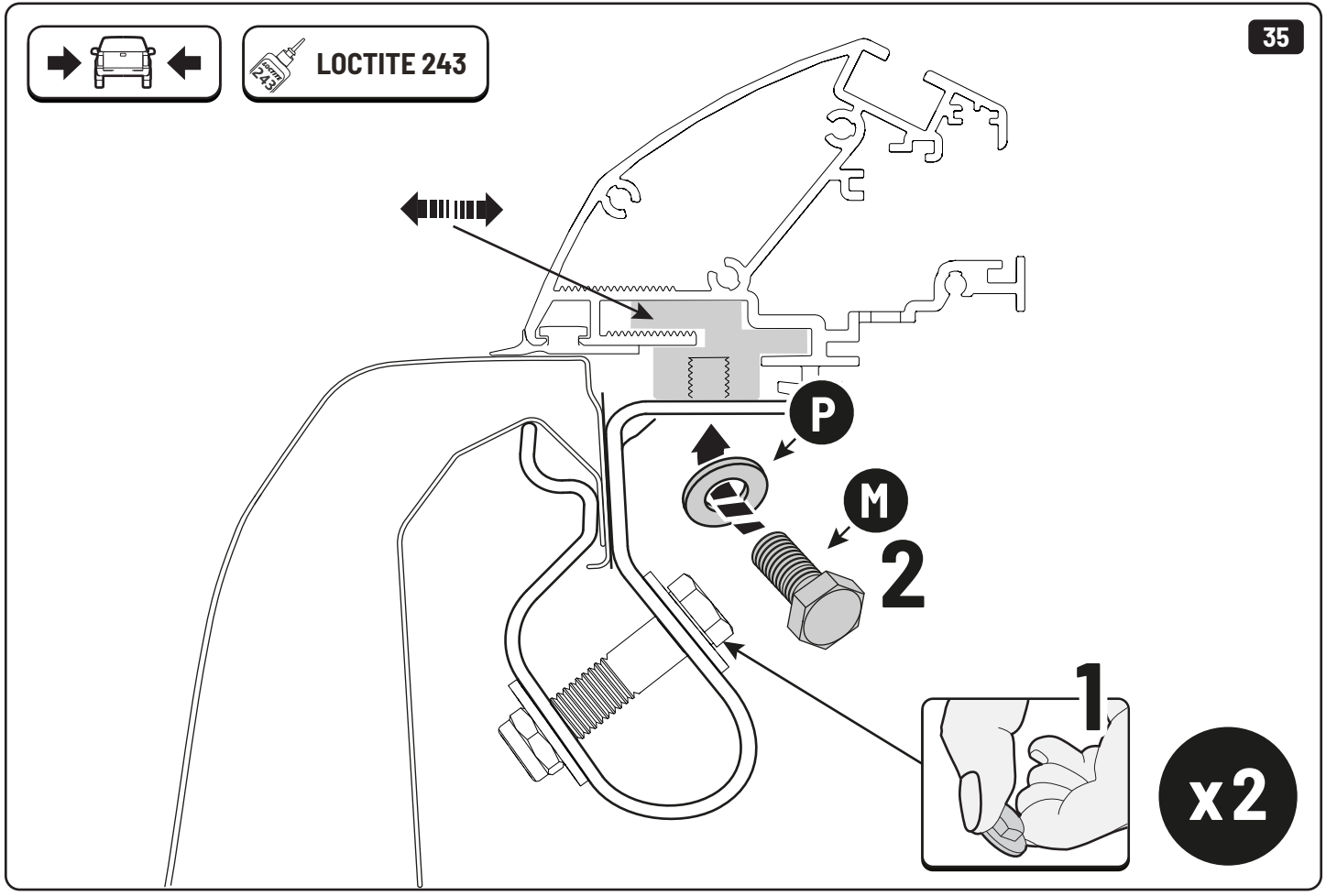


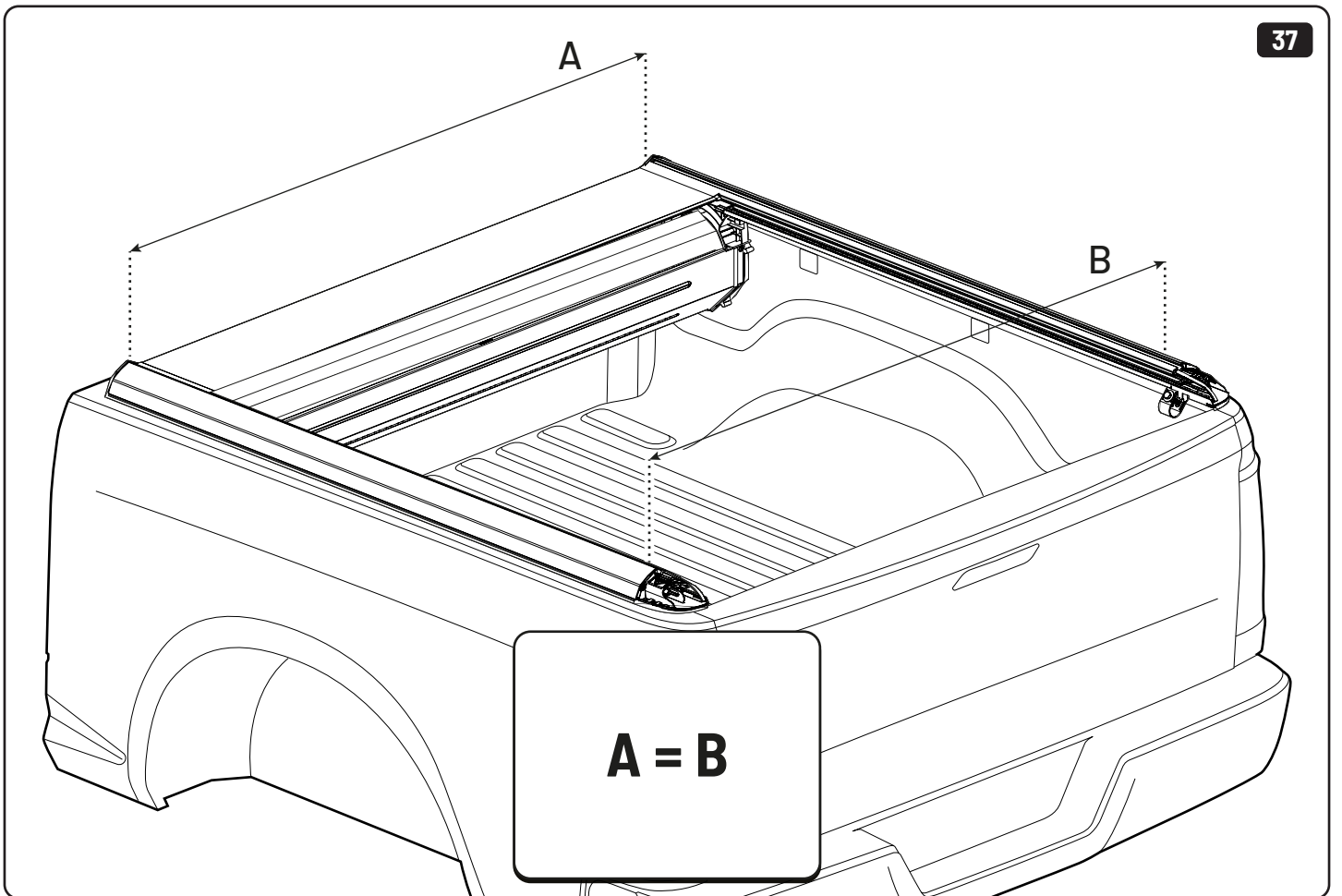
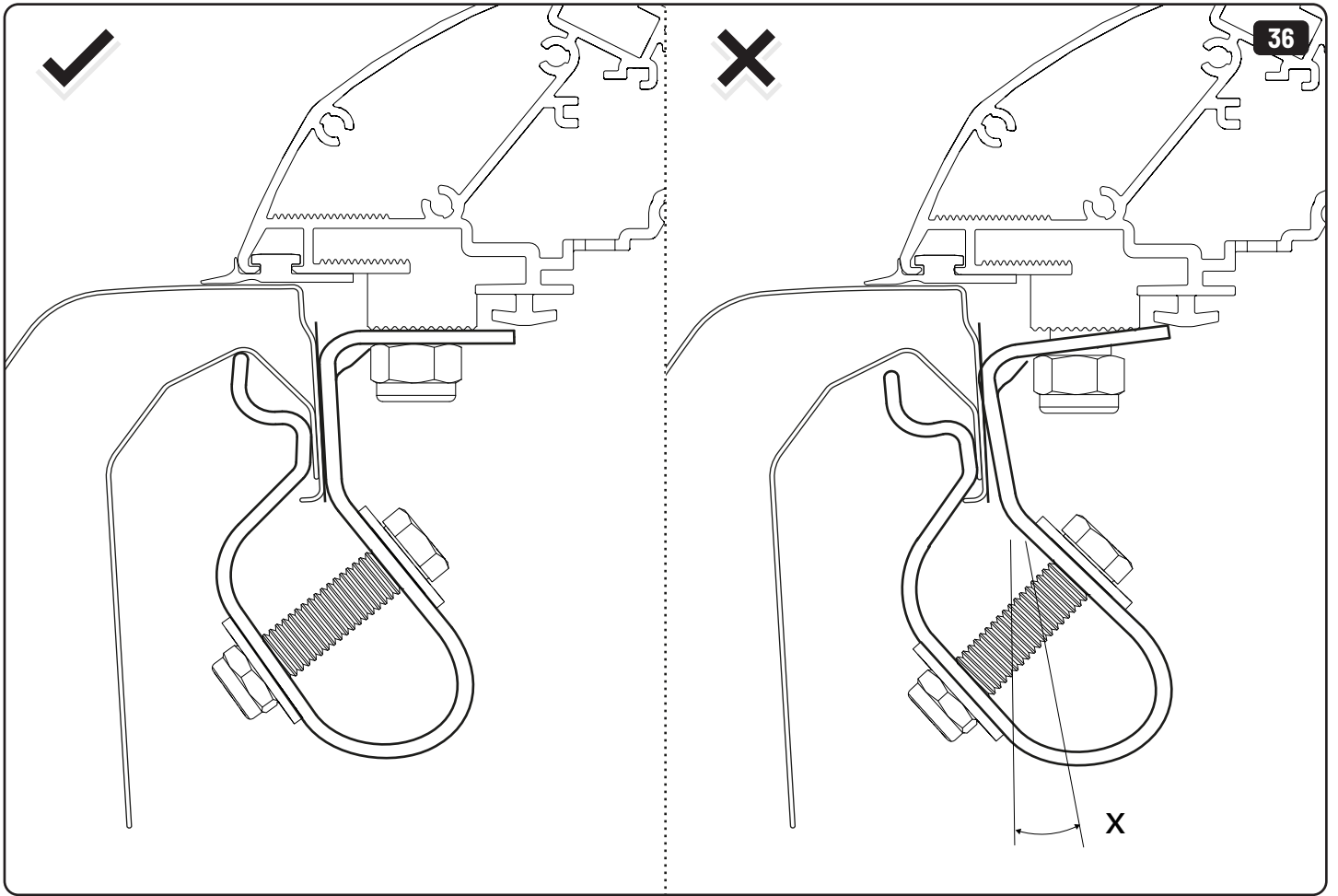
**x6**

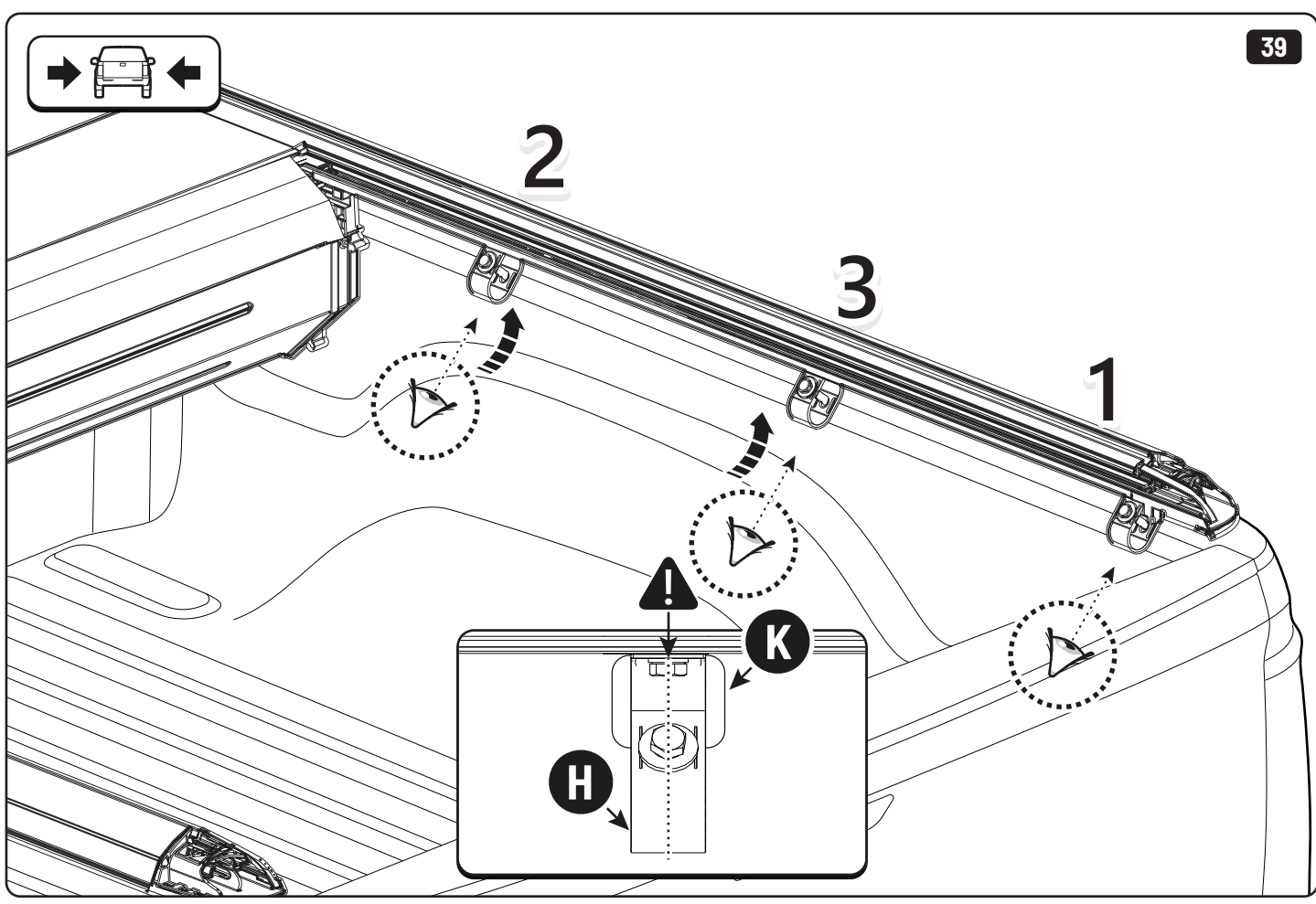
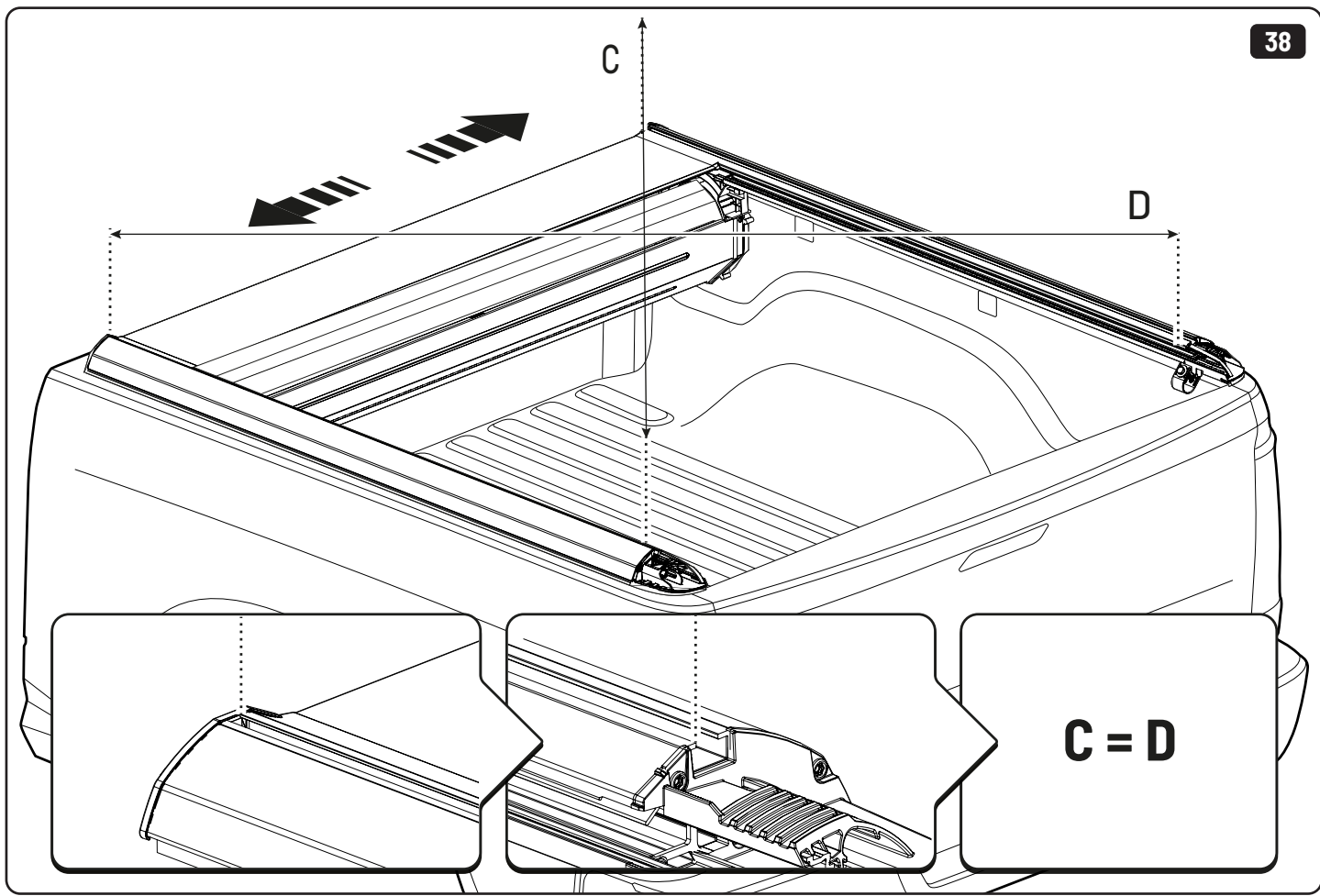


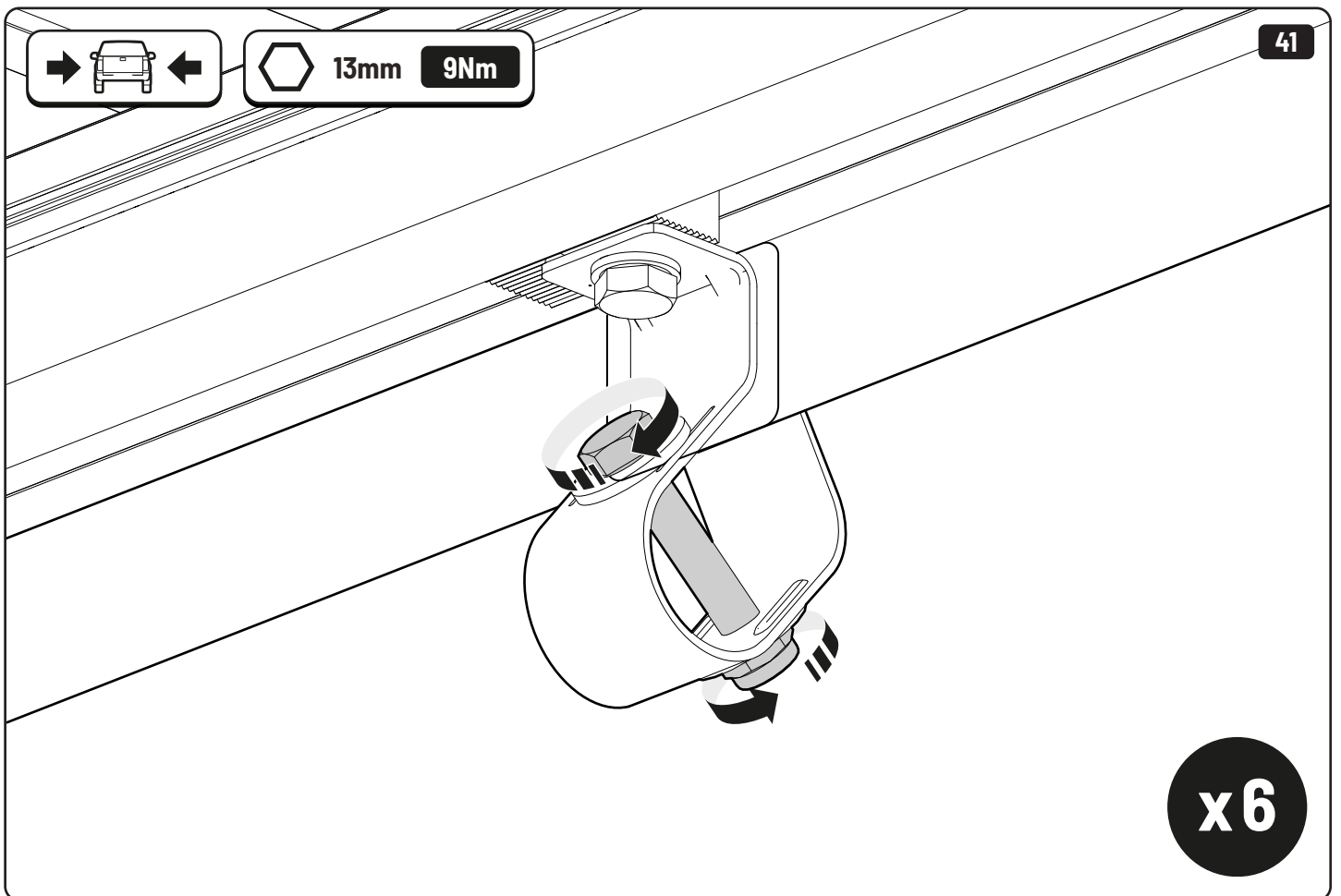
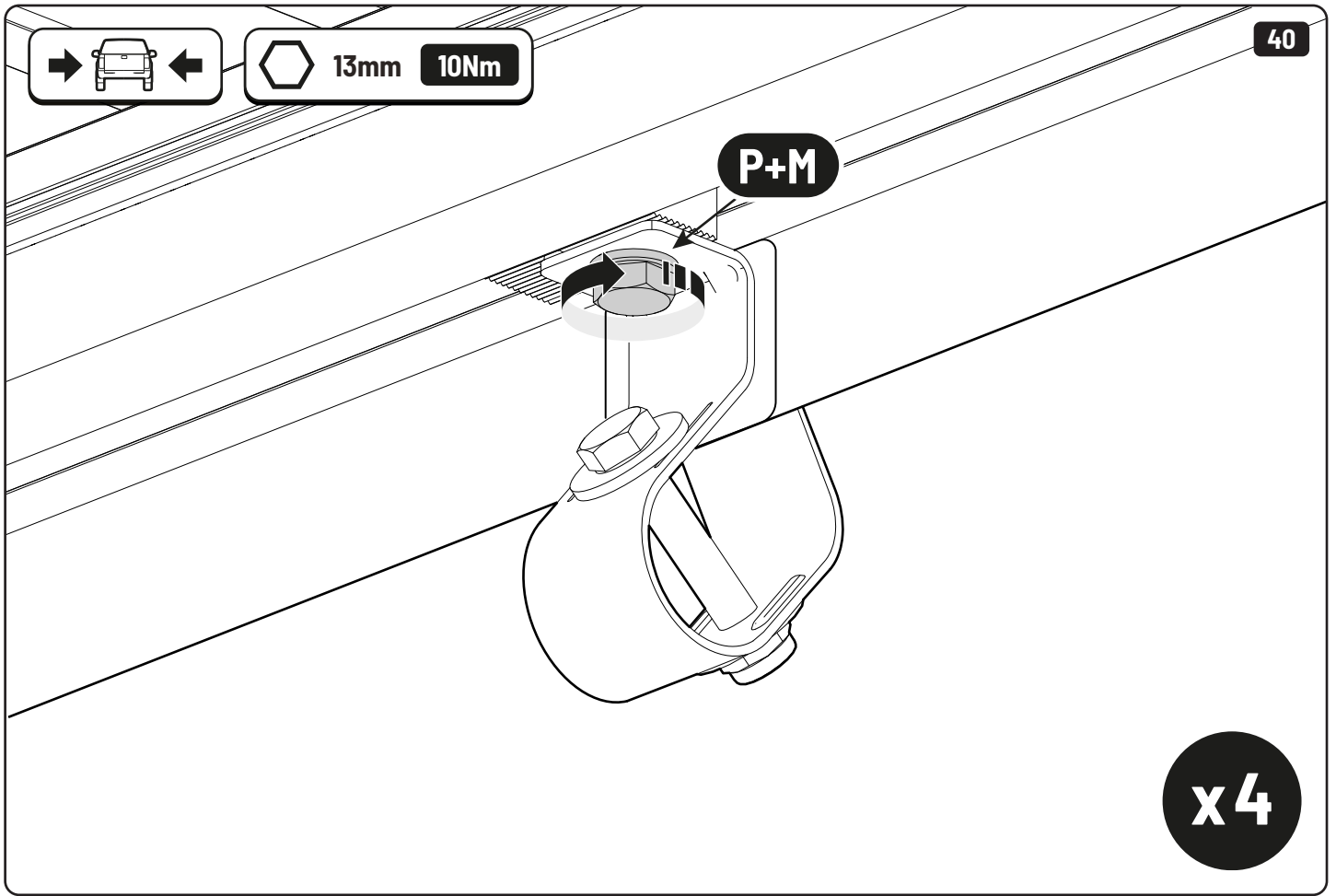


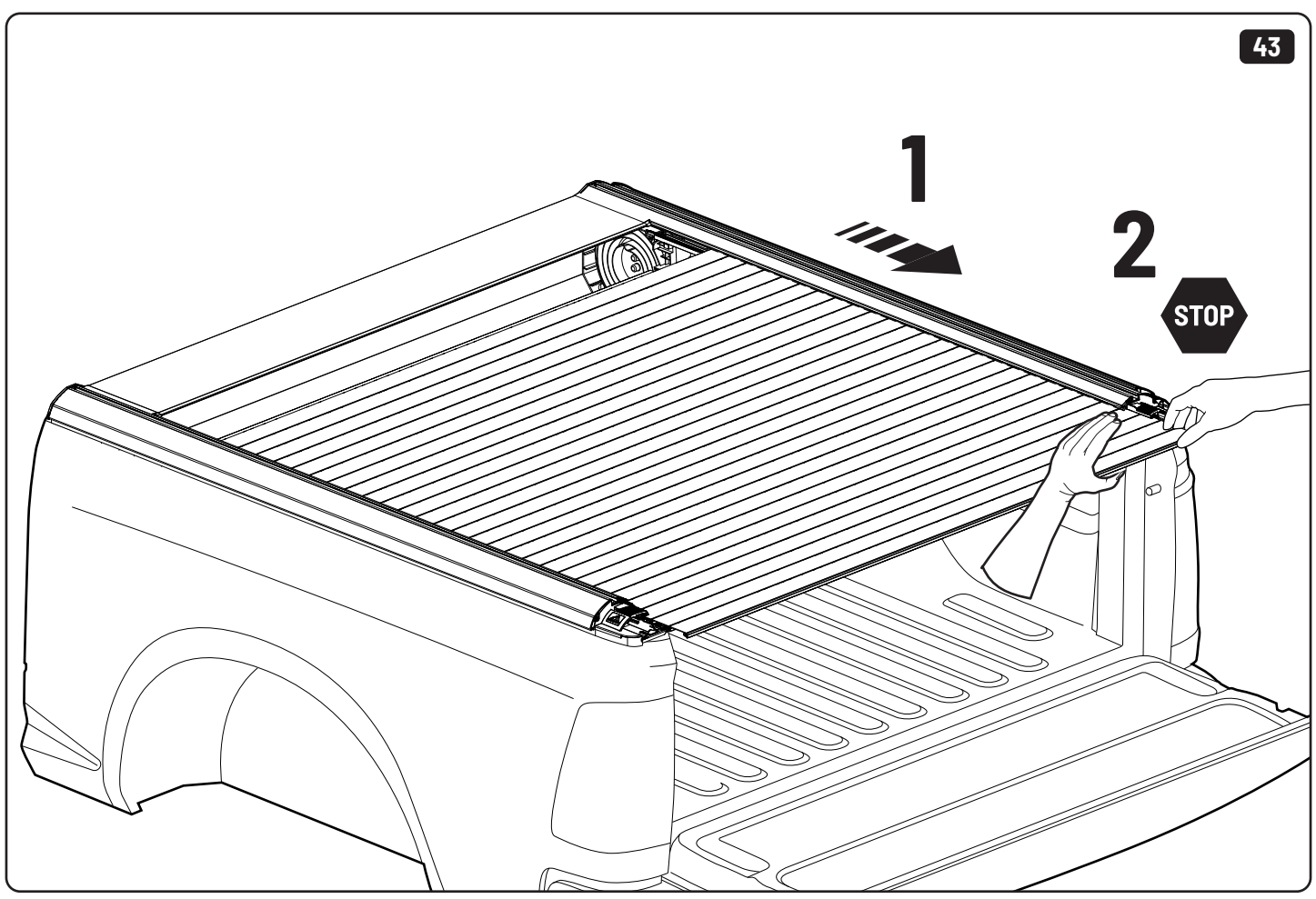
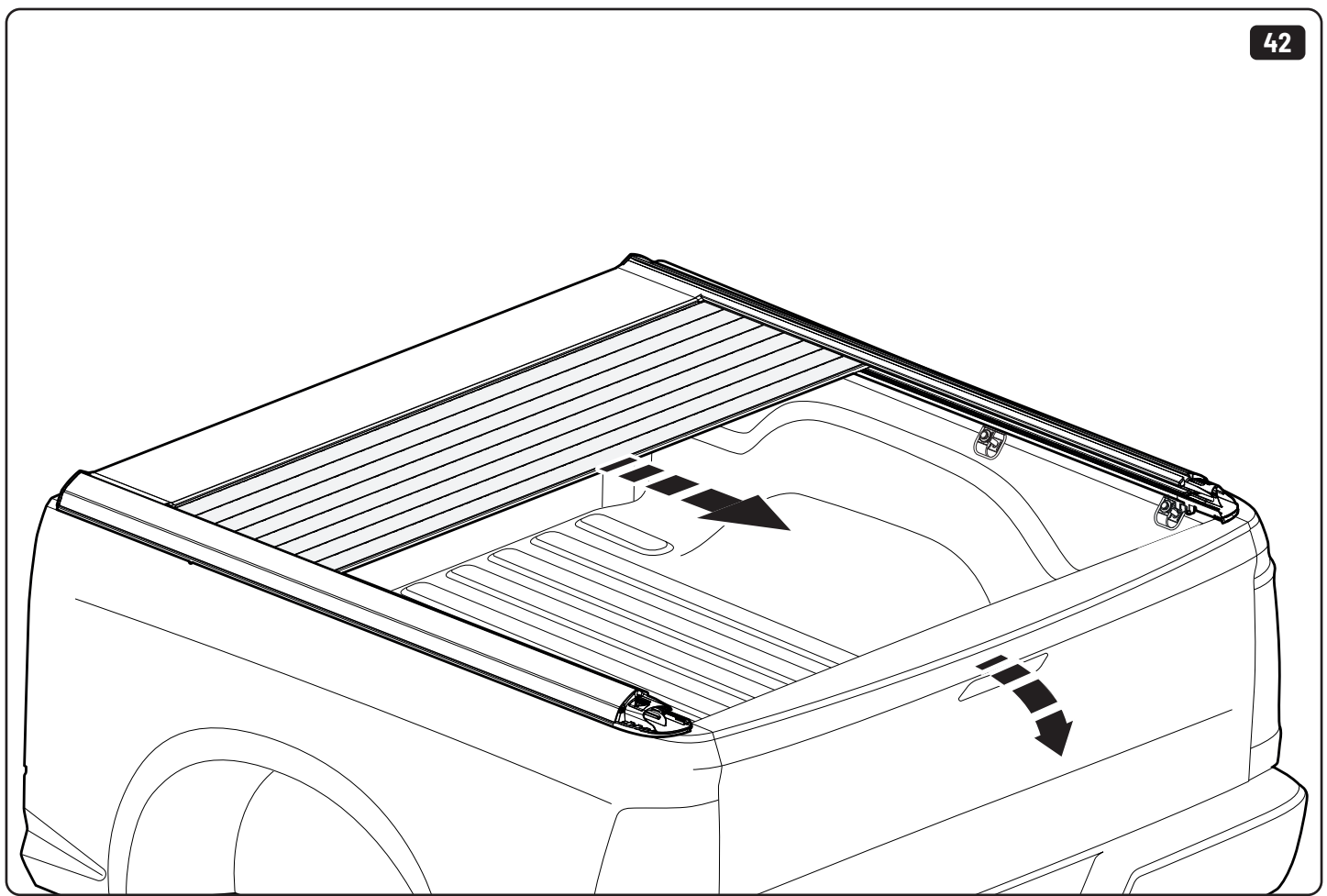
 **LOCTITE 243**



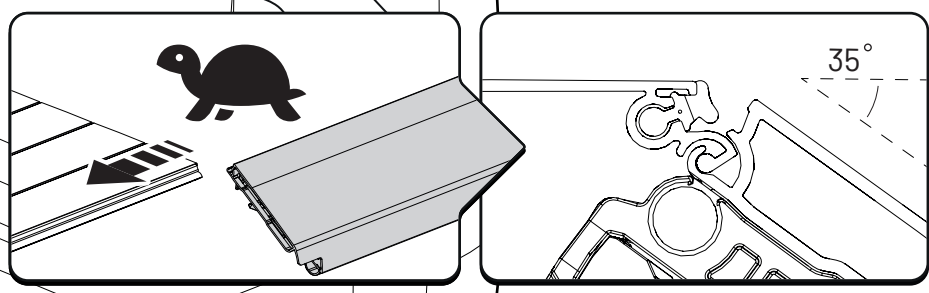
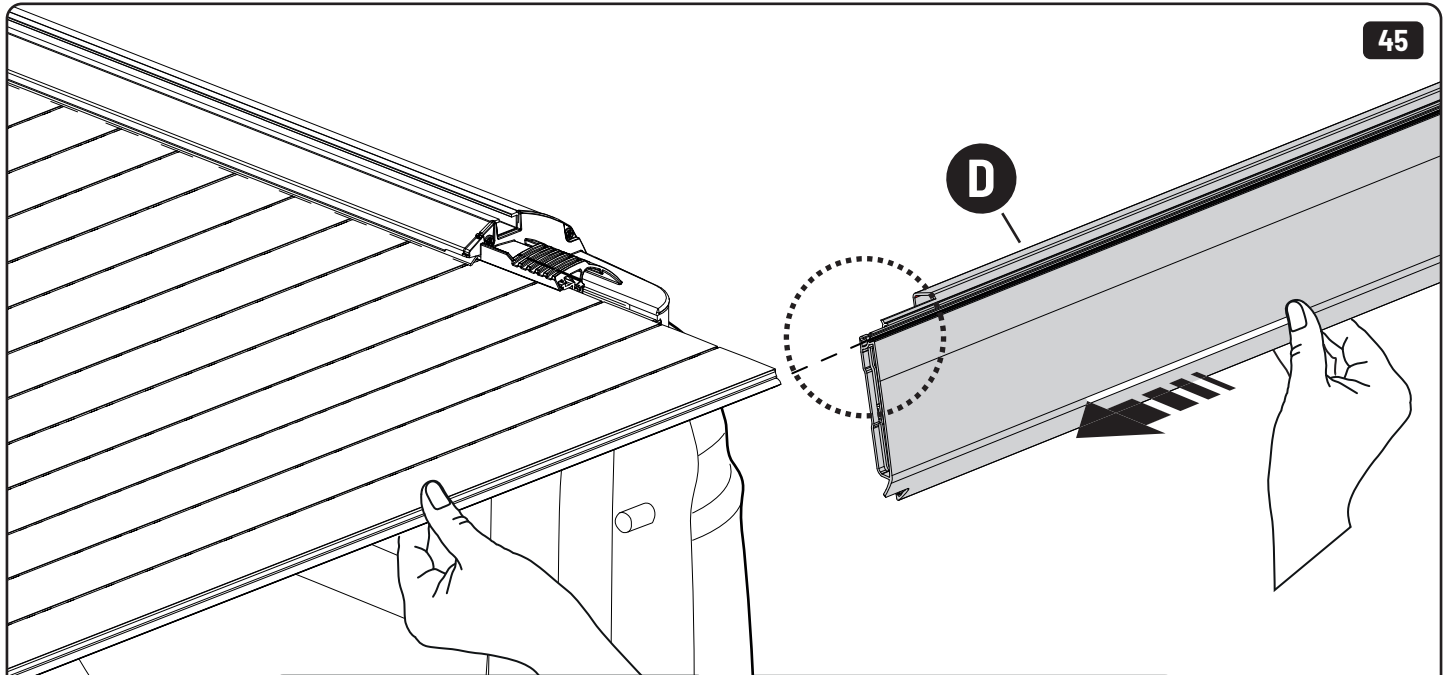
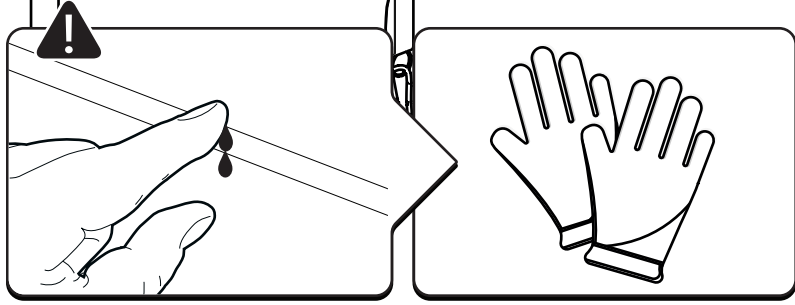
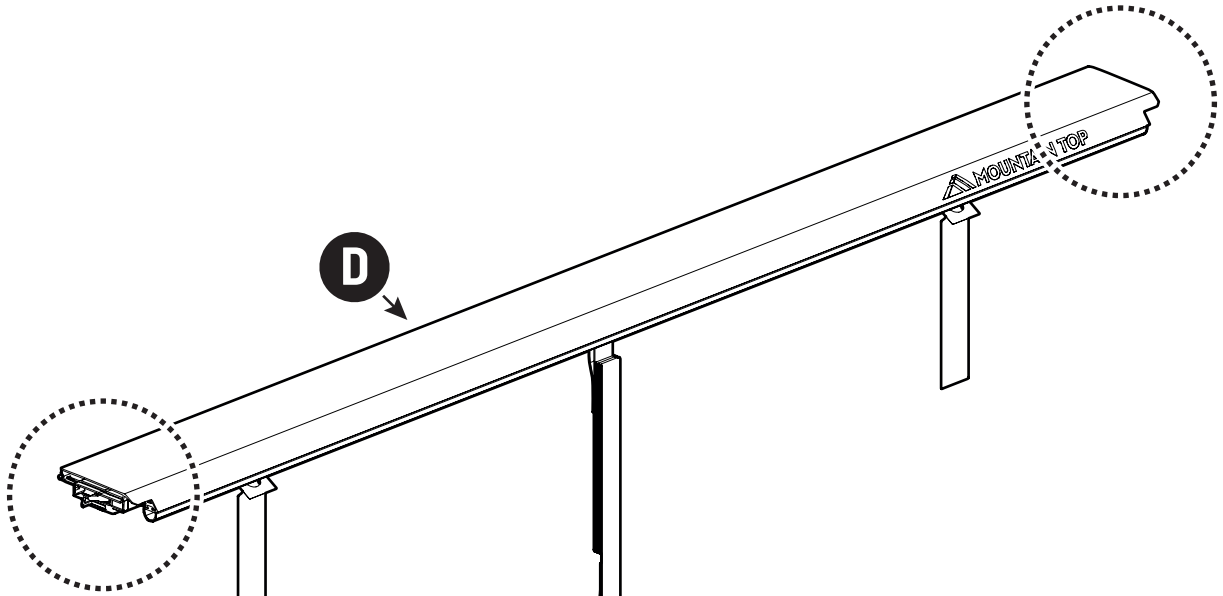


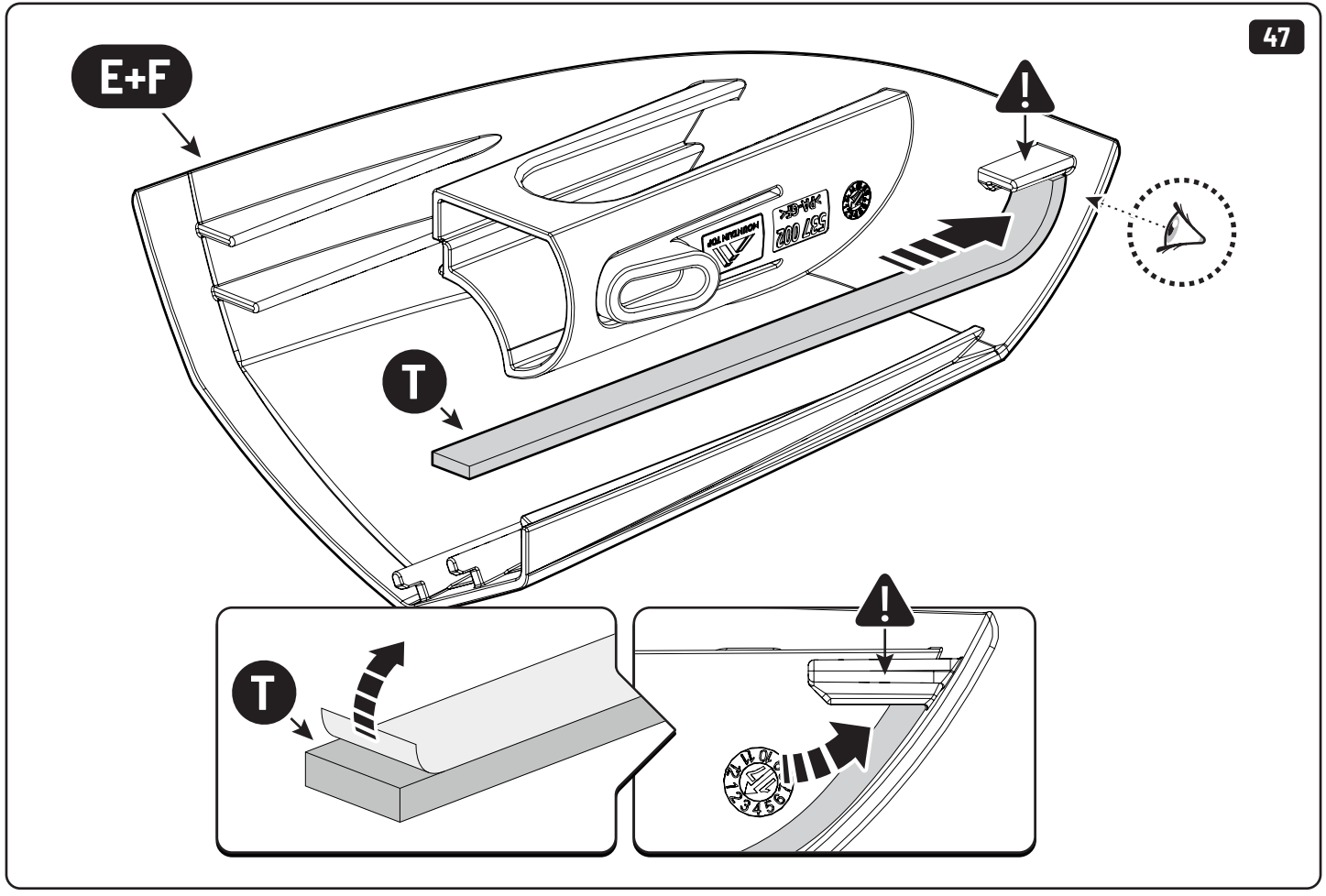
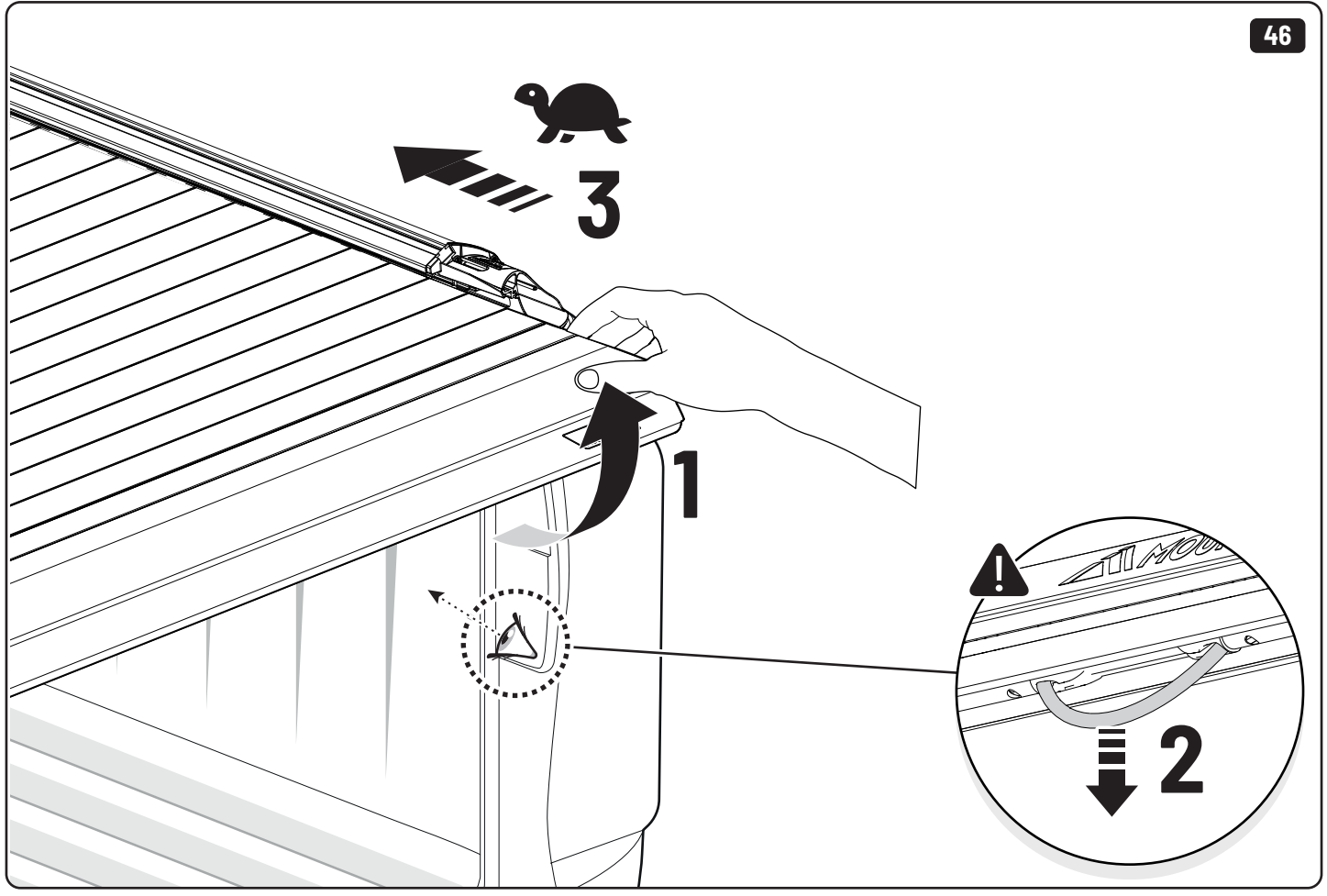




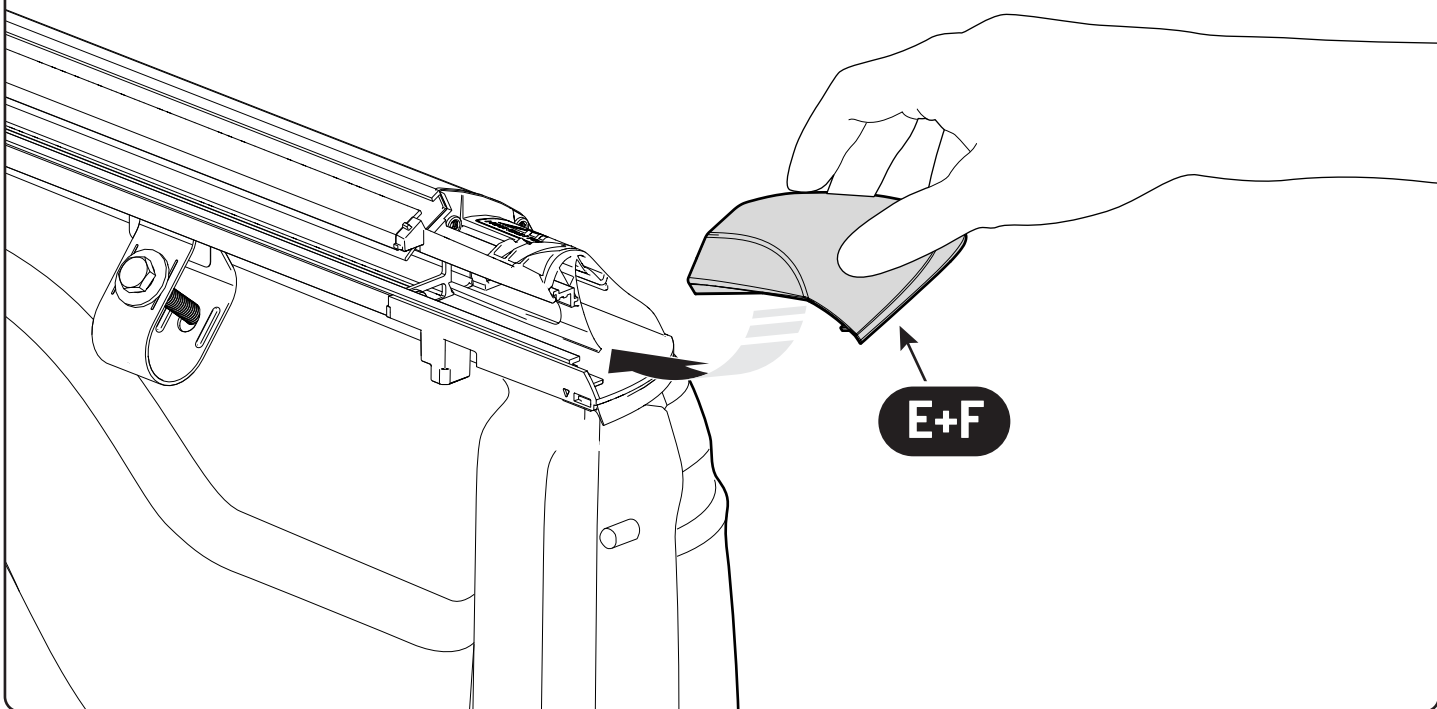
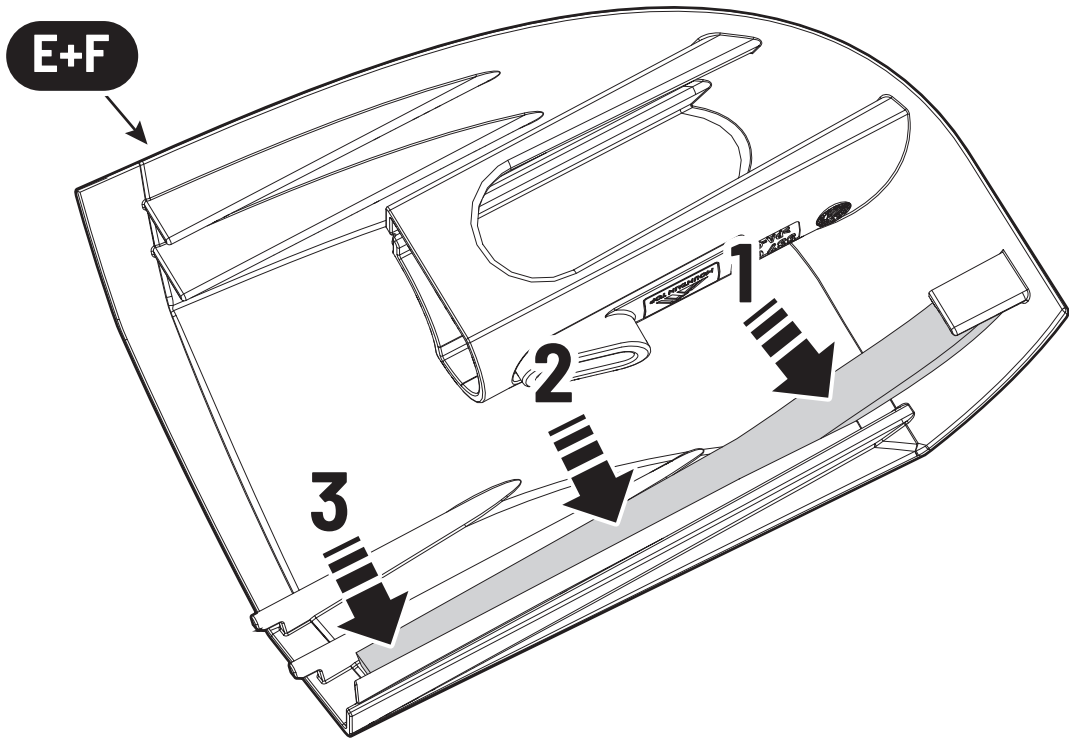


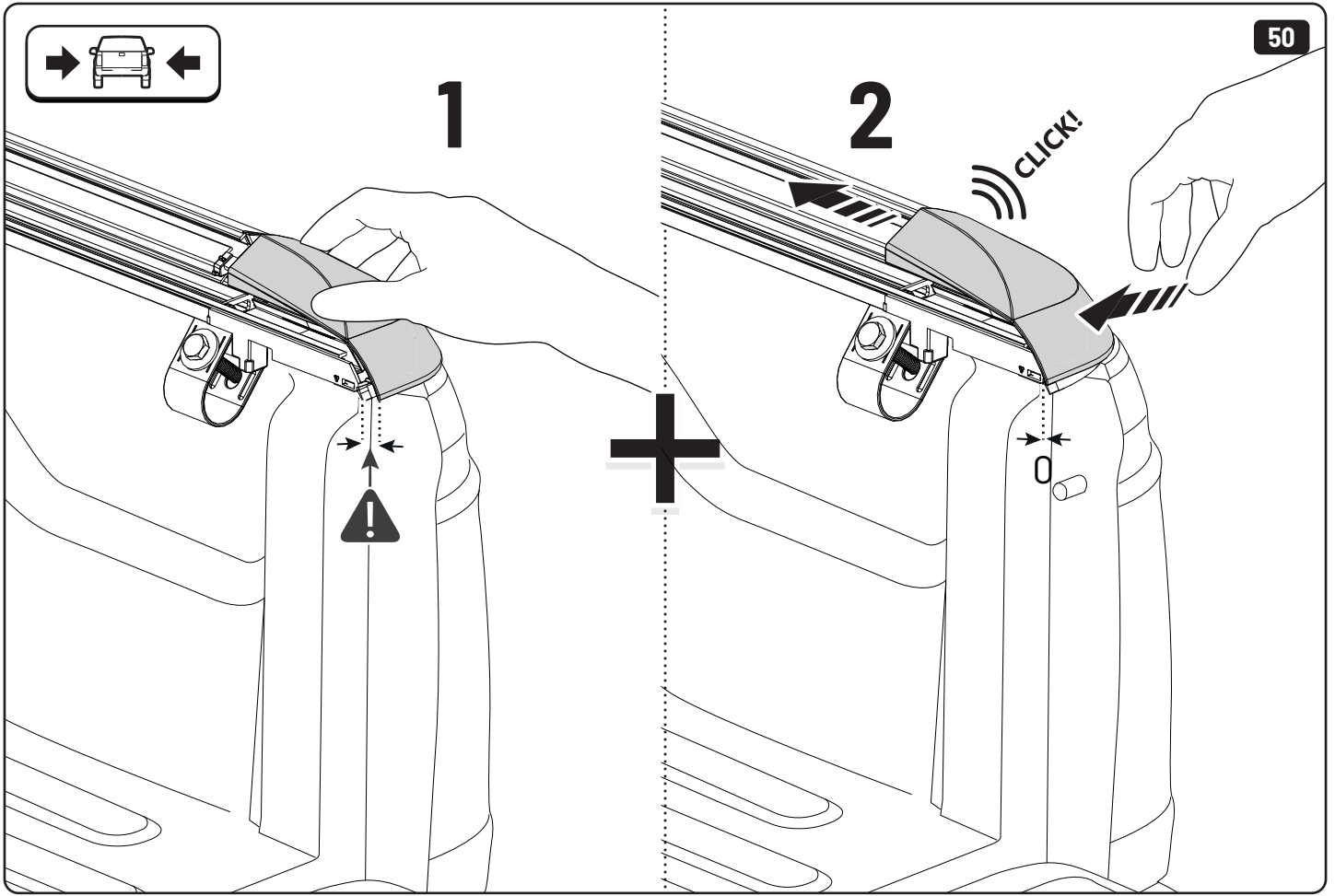


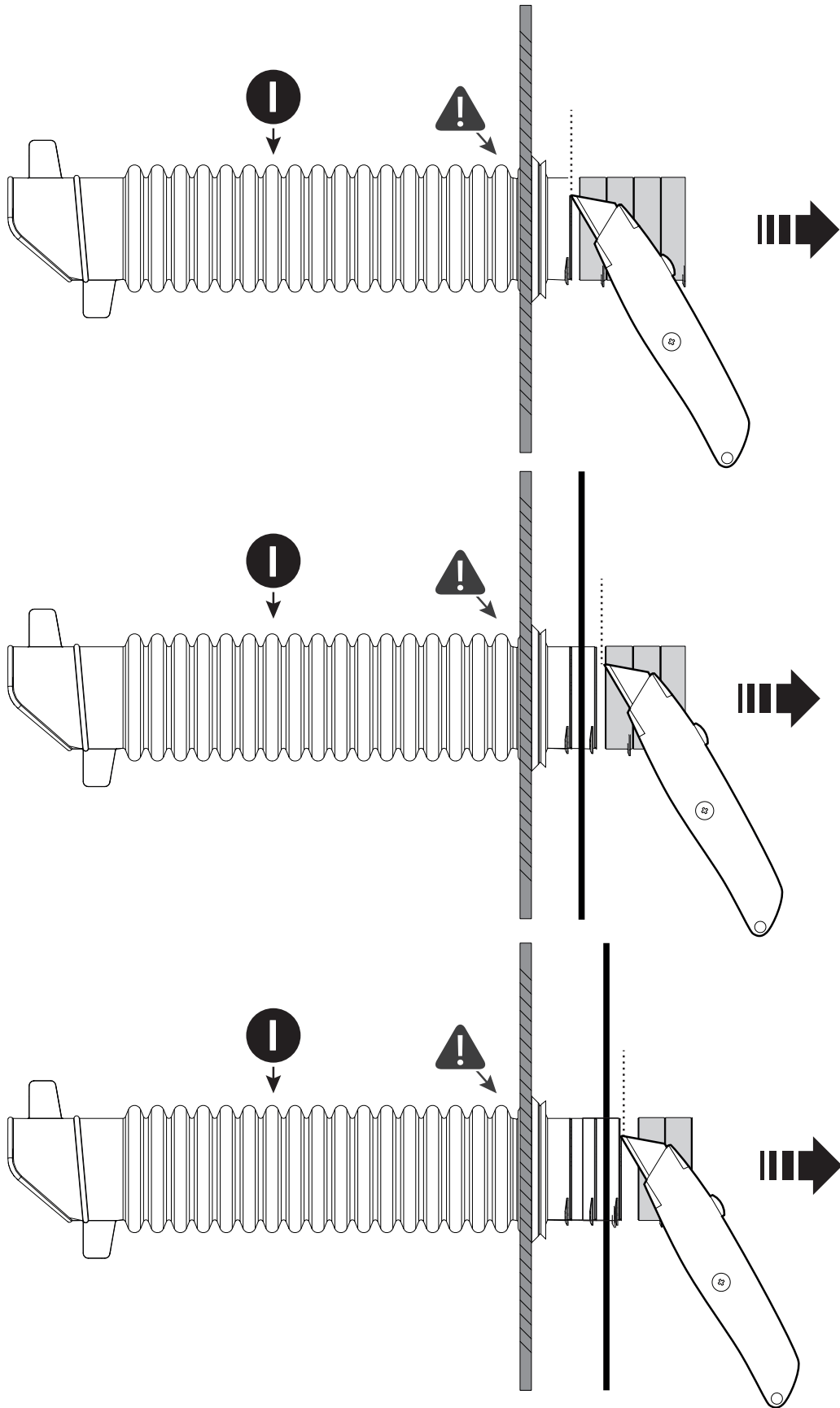


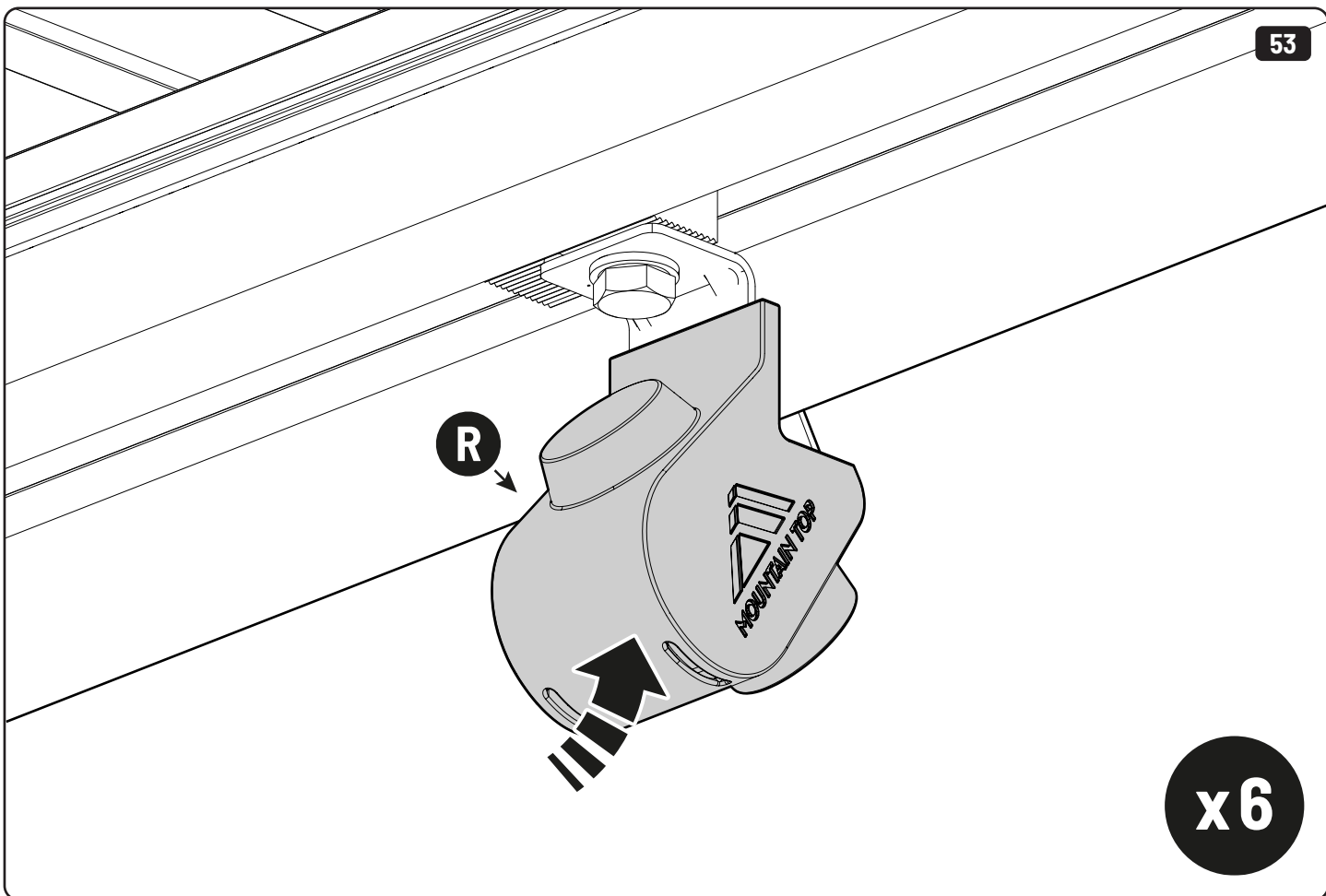
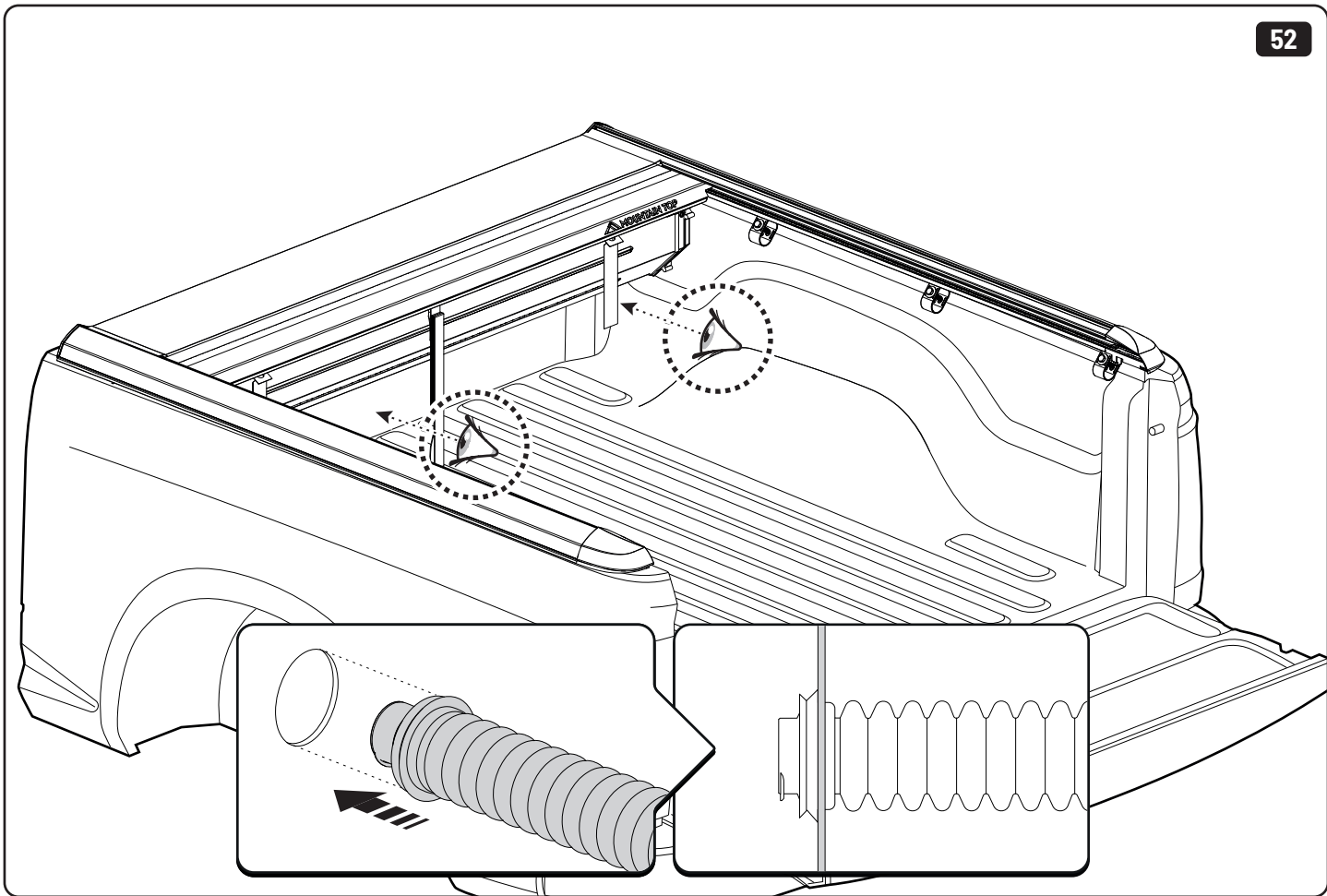


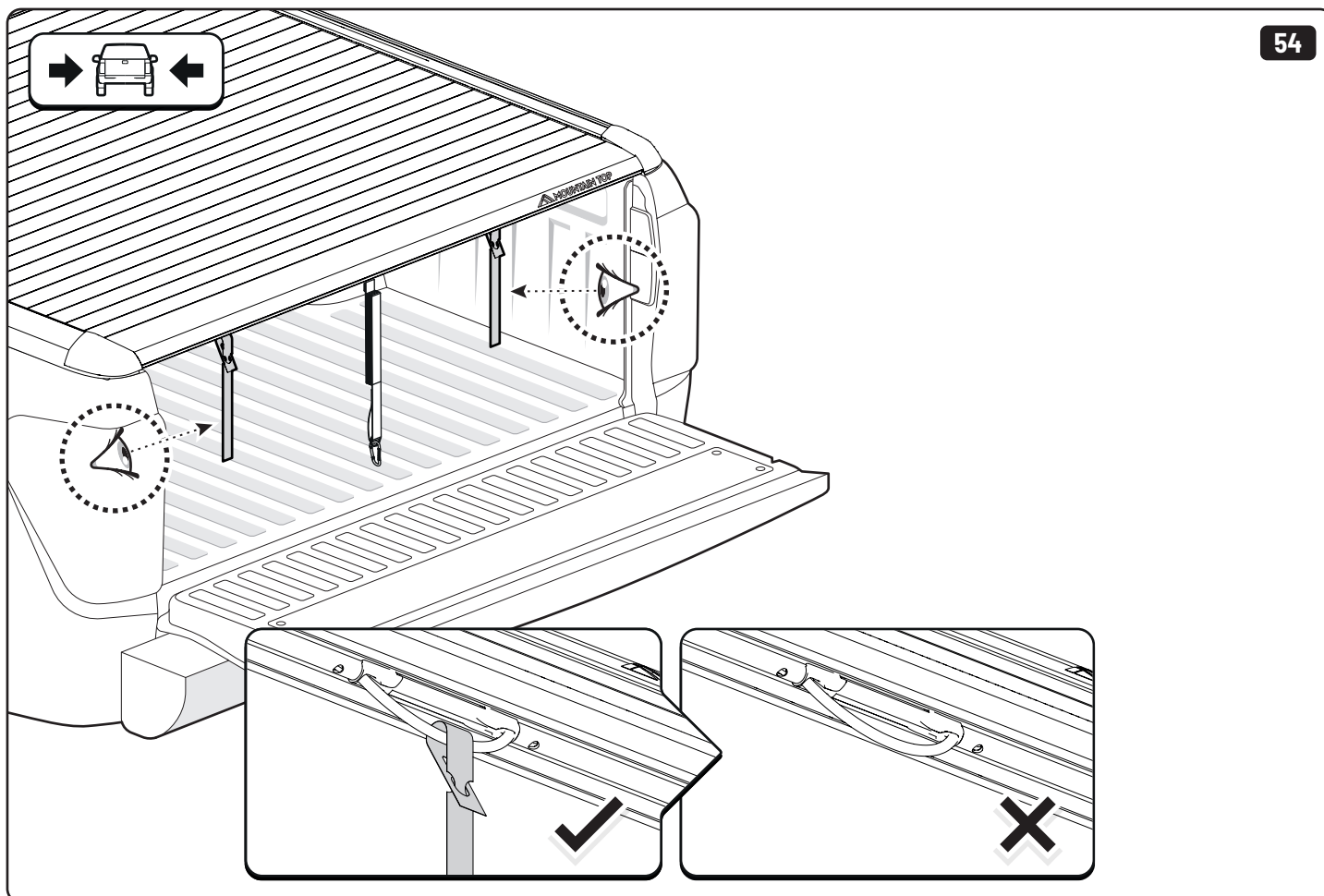












## EV0m Installation checklist



Steps	Page	Done by
Mounting gliding rail in canister	12	
Holes for drain	16-17	
Width + Cross measurement	23-24	
Tightening the clamp screw	25	
Mounting drain	32	







Customer Service +45 4810 2950 (08:00 - 16:00 CET)  
Support info@mountaintop.dk  
Website www.mountaintop.dk  
Address Pedersholmparken 10, 3600 Frederikssund, Denmark

Part number (s)	Model / Year	Cab type (s)	Installation time	Weight
EV0m T090 AB01	Hilux / 2016 ->	Double Cab	1 hour (s)	29 kg
EV0m T091 AB01	Hilux / 2016 ->	Extra Cab	1 hour (s)	33 kg

<b>GB</b> Installation manual	<b>S</b> Monteringsanvisning	<b>D</b> Einbauanleitung
<b>SF</b> Asennusohje	<b>E</b> Instrucciones de montaje	<b>CZ</b> Návod k instalaci
<b>F</b> Notice de montage	<b>H</b> Szerelési utasítás	<b>I</b> Istruzioni di montaggio
<b>PL</b> Instrukcja montażu	<b>P</b> Instruções de instalação	<b>GR</b> Οδηγίες Εγκατάστασης
<b>NL</b> Installatie-instructies	<b>RUS</b> Инструкция по установке	<b>DK</b> Monteringsvejledning
<b>TR</b> Montaj Talimatı	<b>N</b> Monteringsveiledning	<b>RO</b> Instructiuni de instalare