

# Mountain Top® Slide

Installation manual



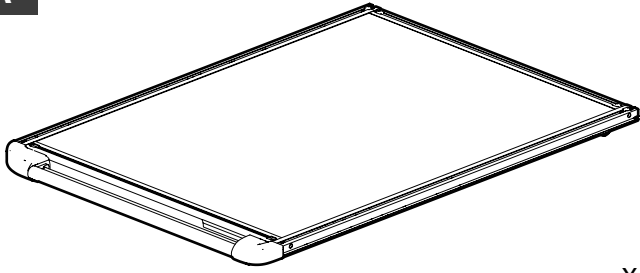
DOWNLOAD PDF





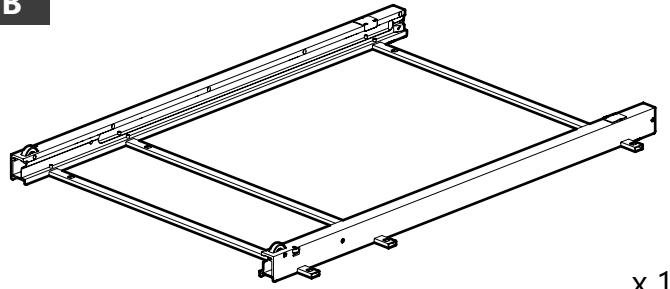
Parts

**A**



x 1

**B**

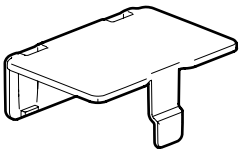


x 1



Kit # 836 012

**C**

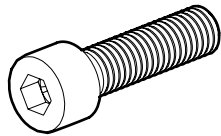


x 2



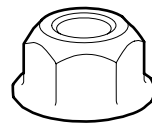
Kit # 833 940

**D**



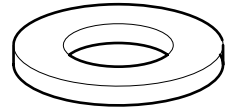
x 12

**E**



x 12

**F**

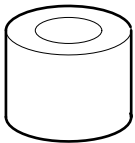


x 24



Kit # 836 202

**G**

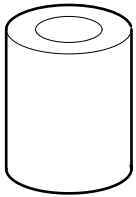


x 12



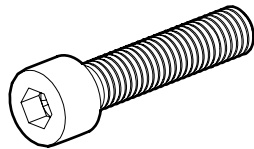
Kit # MTS 0201 - SOLD SEPARATELY

**H**



x 12

**I**

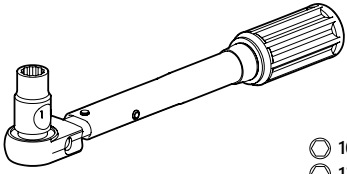


x 12

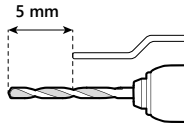


### Tools and materials needed

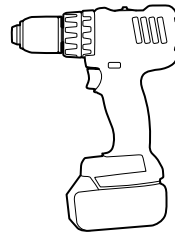
1-25 Nm



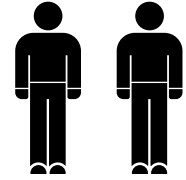
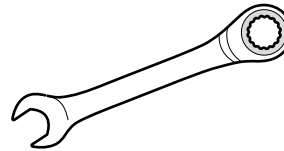
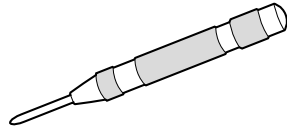
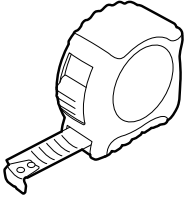
- 10 mm
- 13 mm
- 5 mm



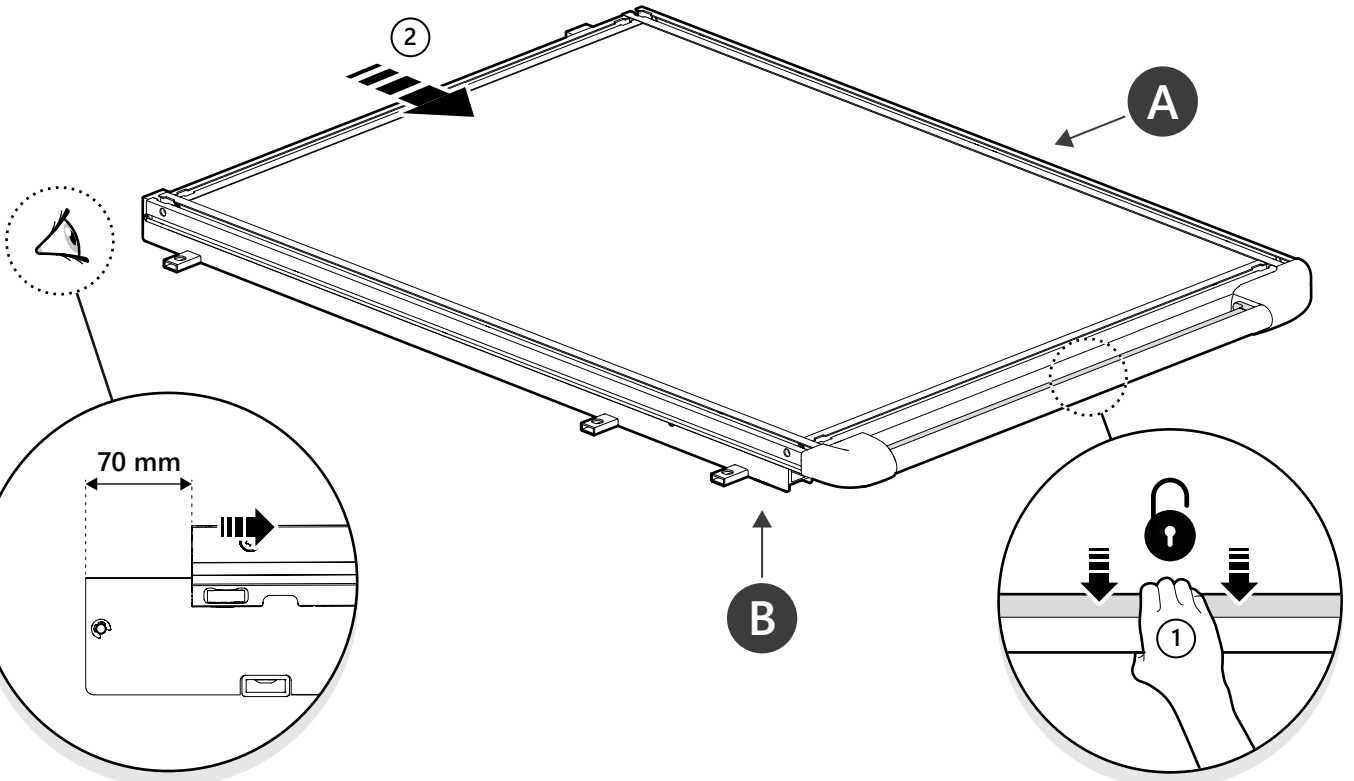
Ø 3 mm  
Ø 8 mm

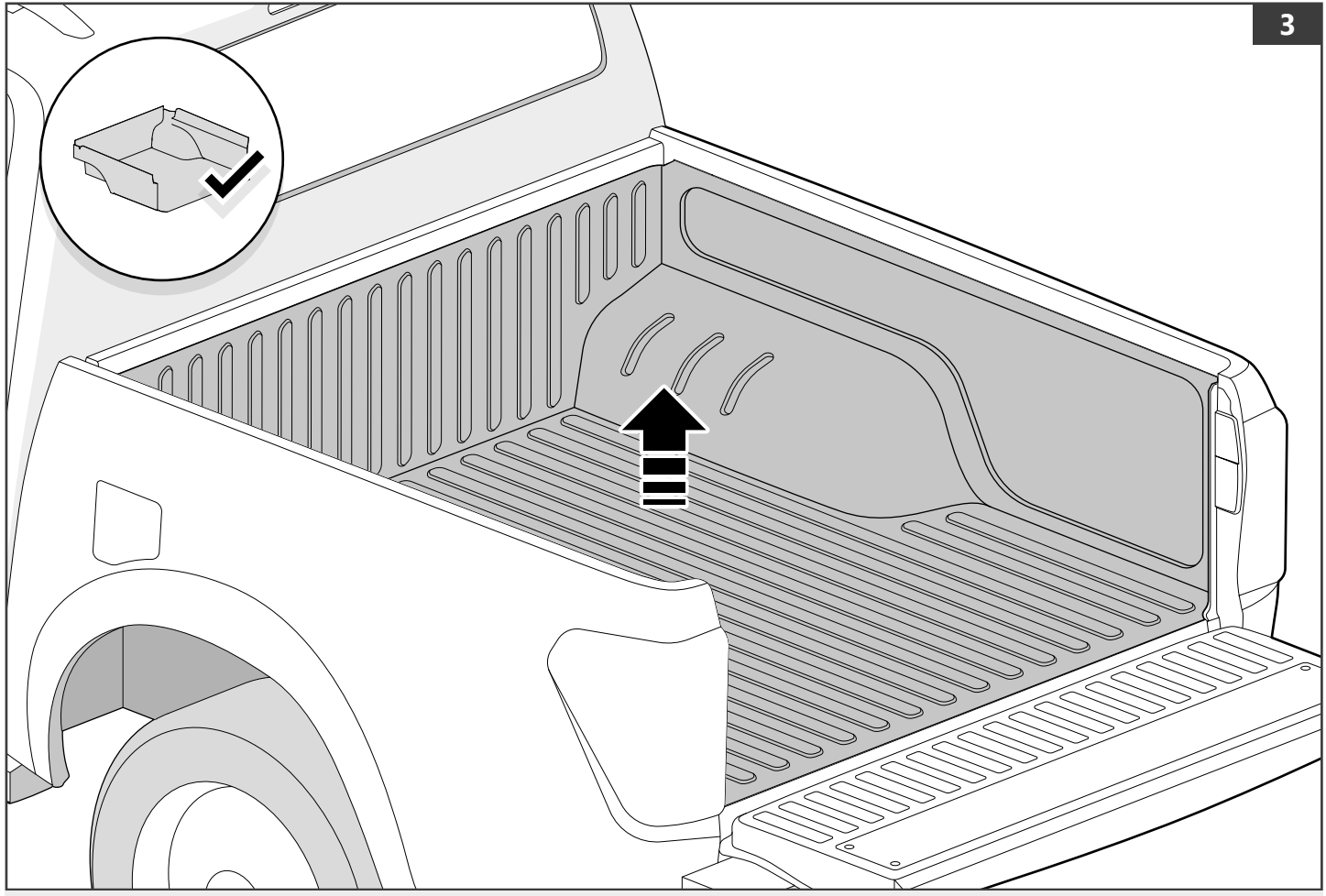
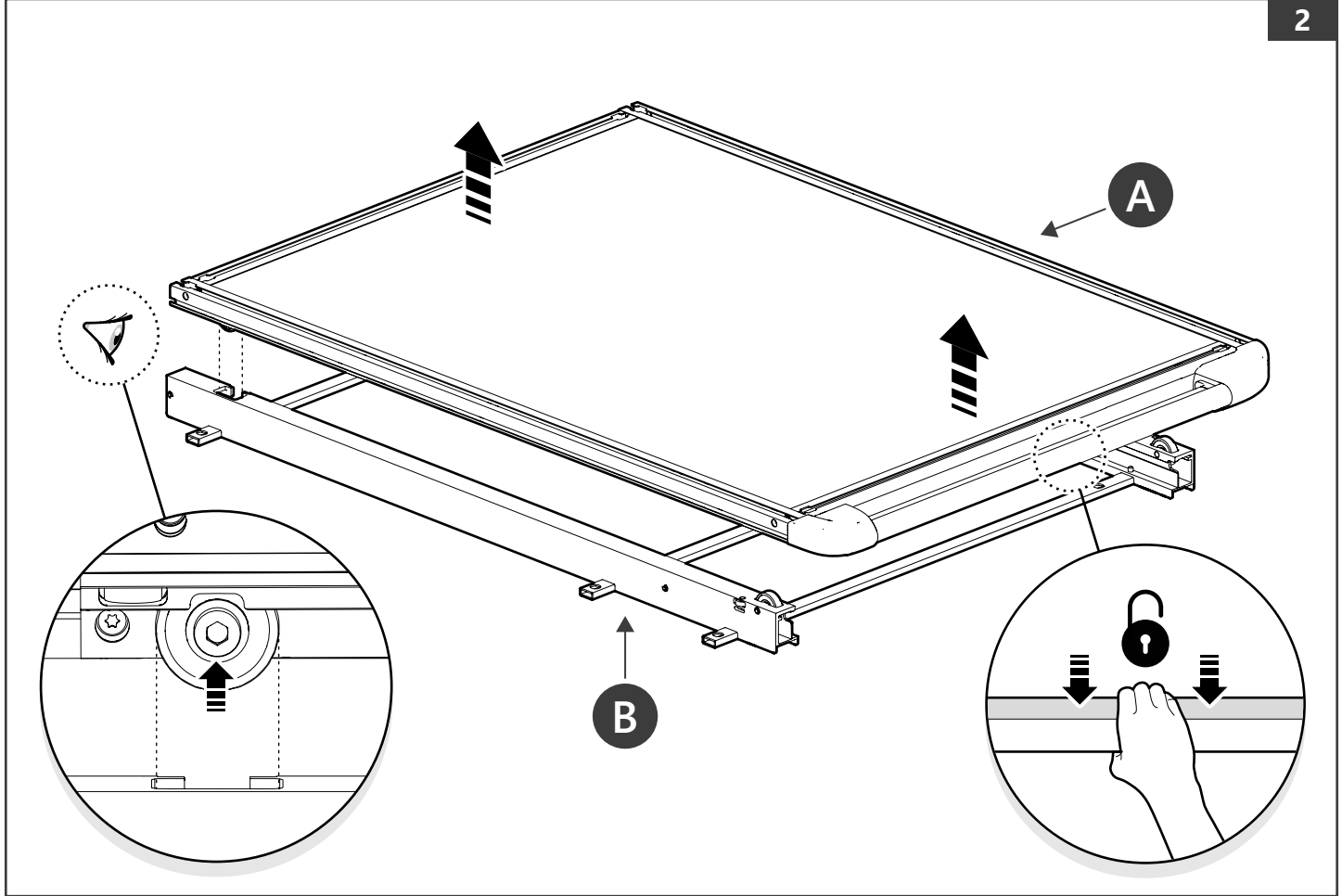


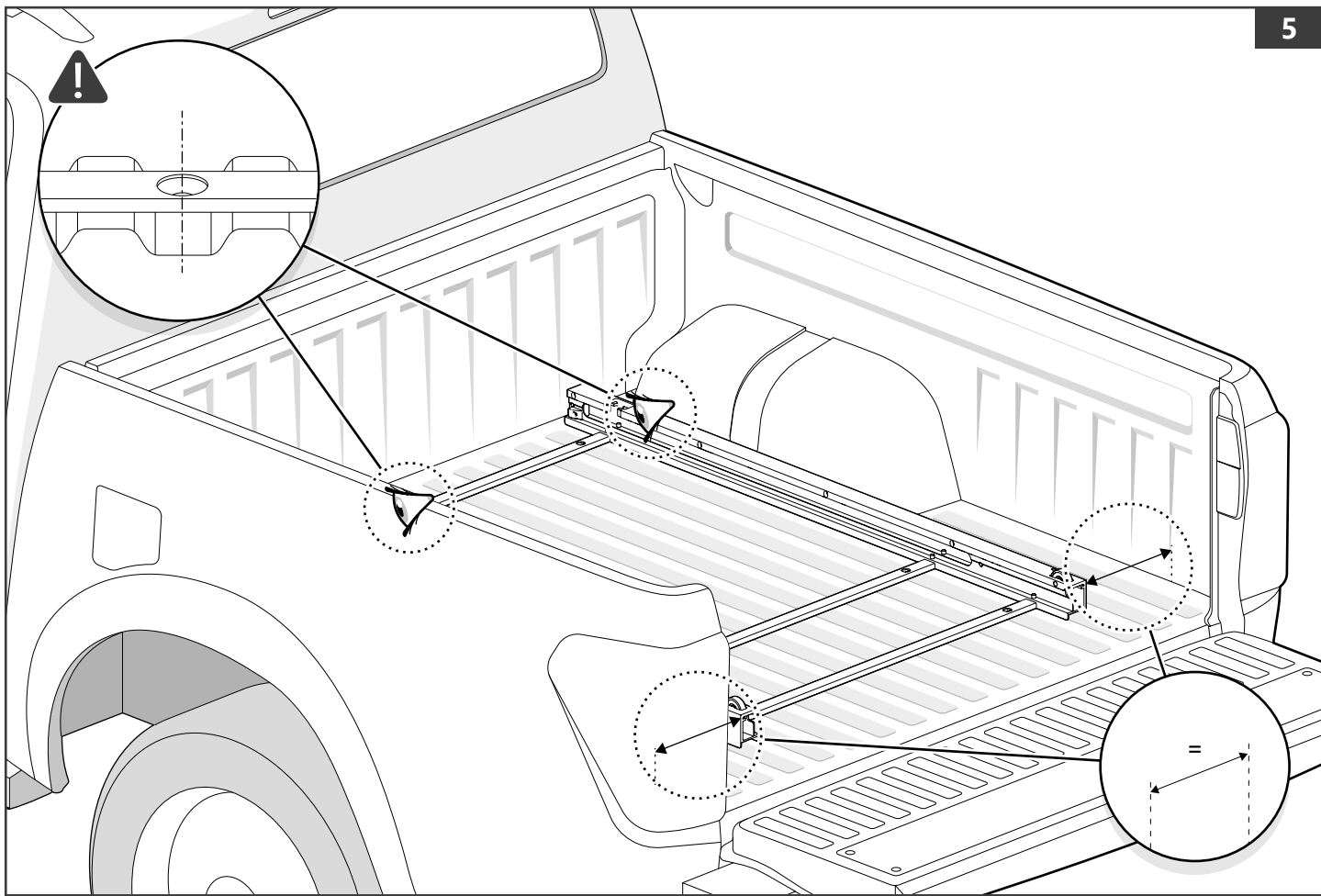
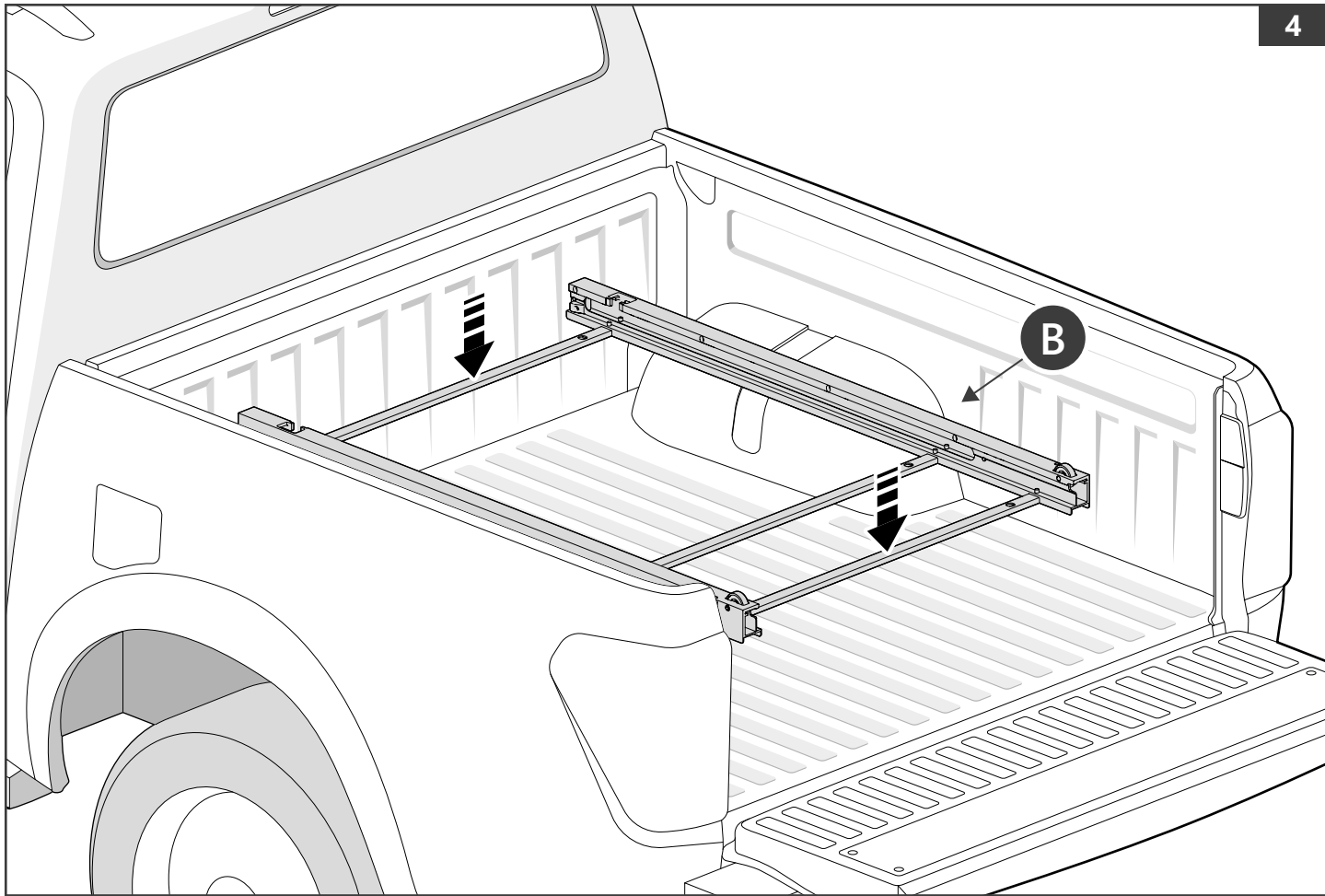
Rust protection  
Rostschutzmittel  
Anti-rouille  
Anti roest

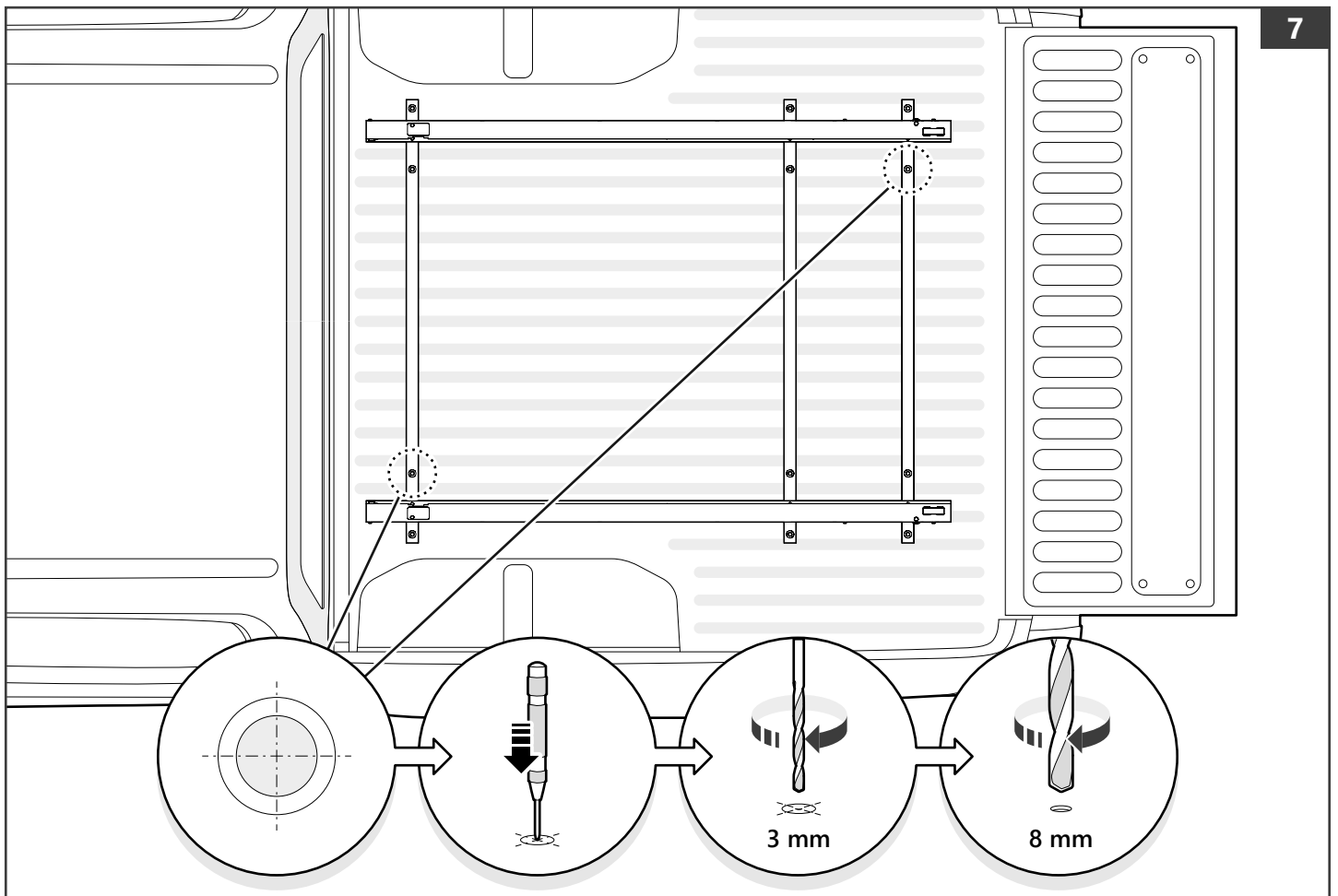
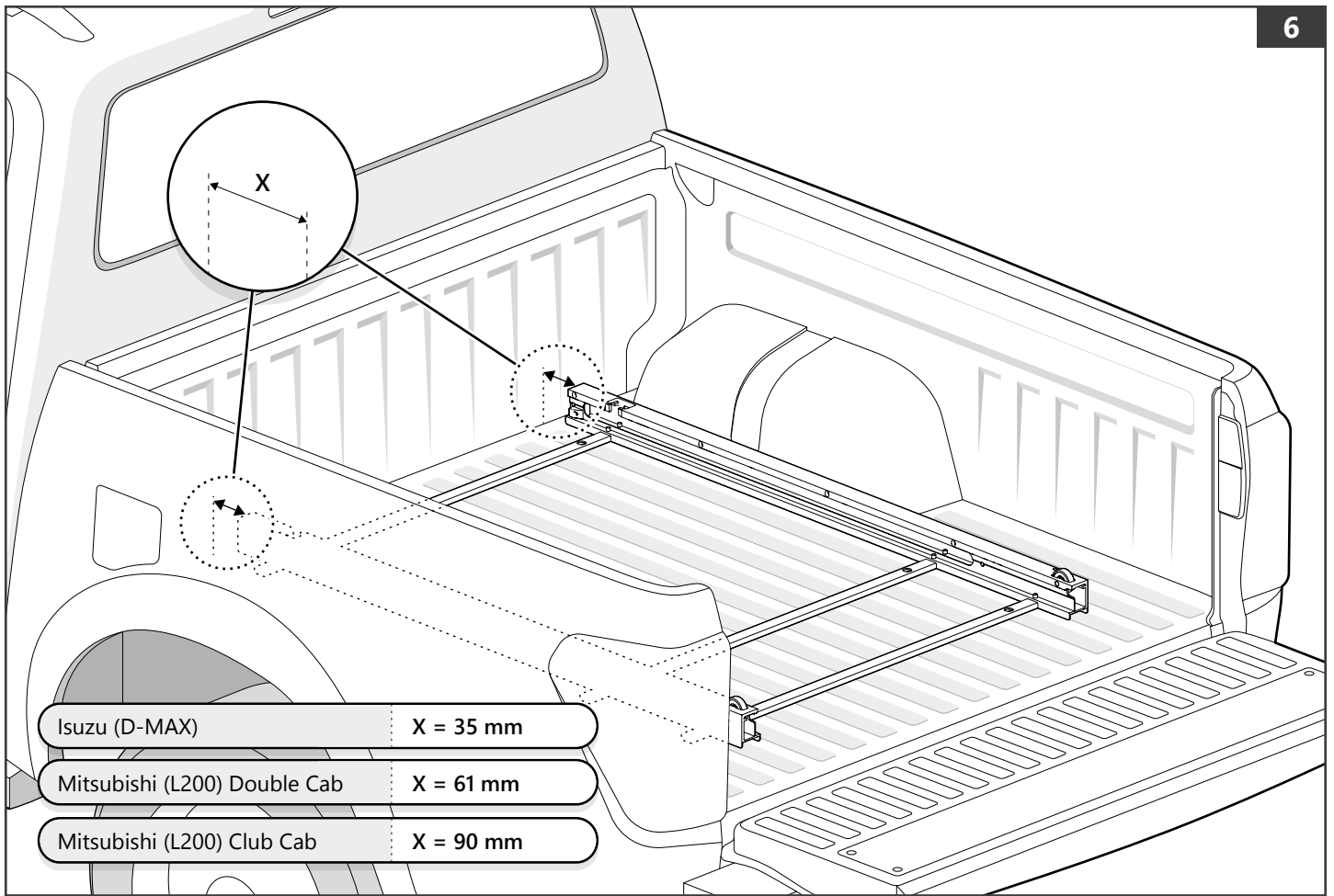


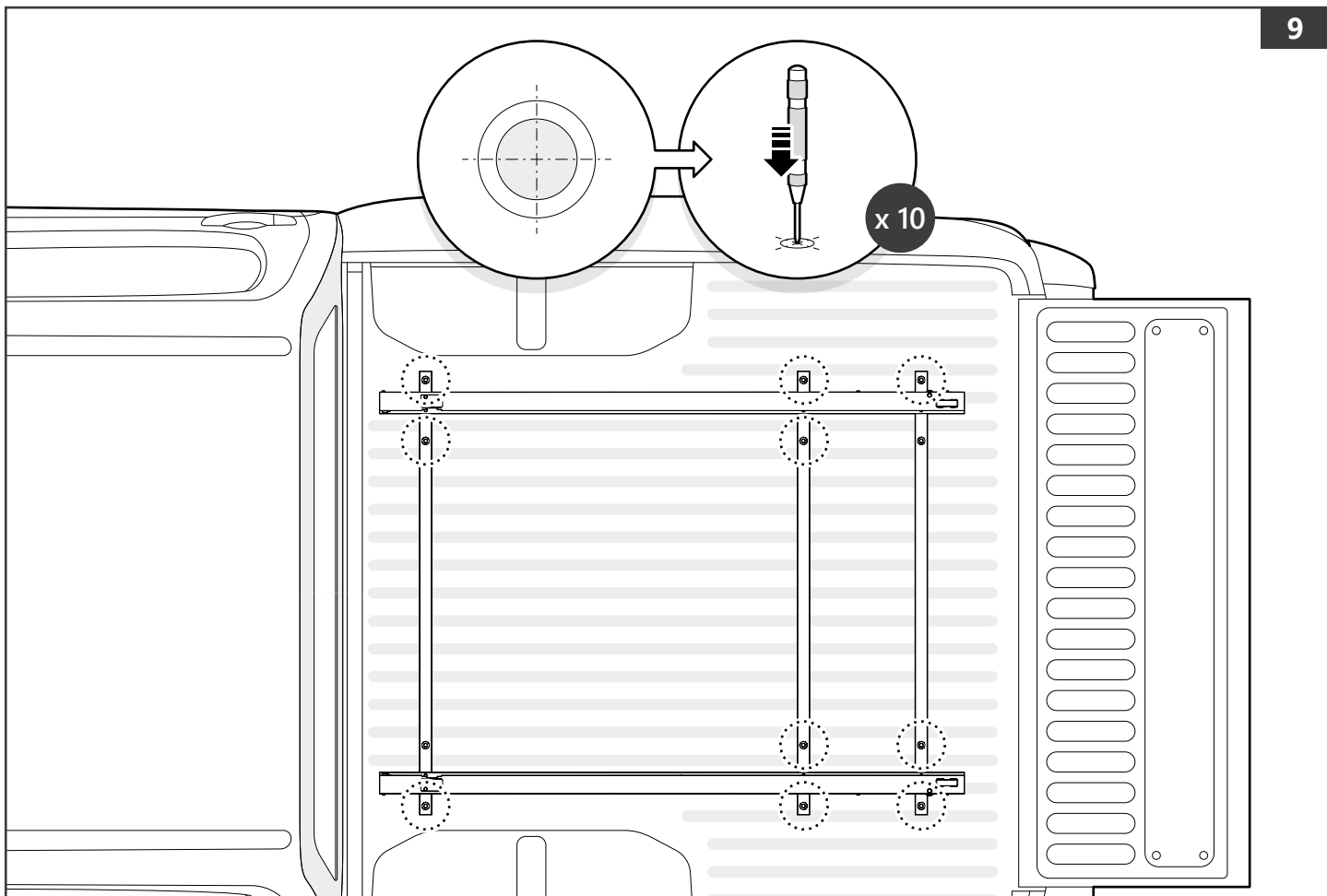
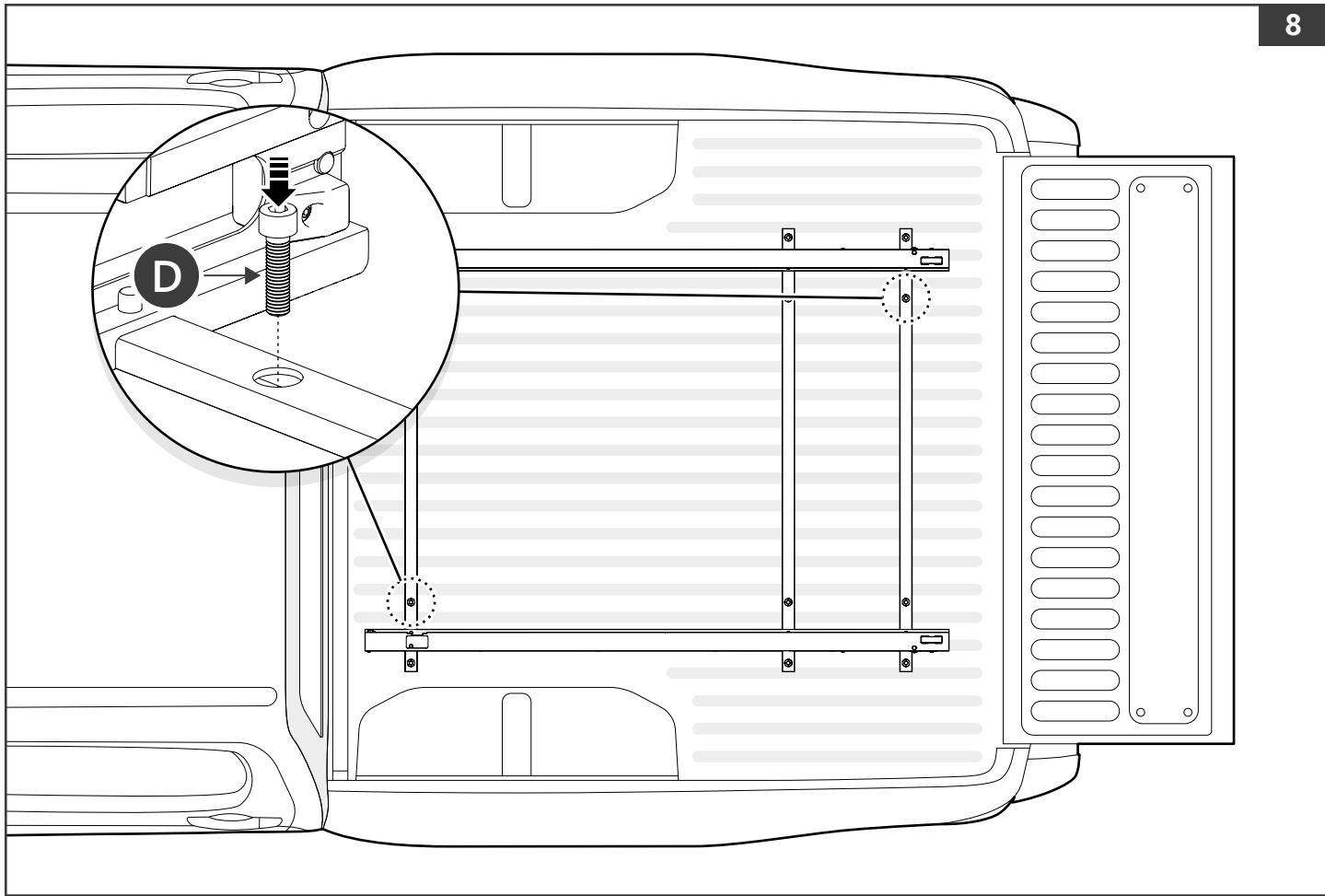
1



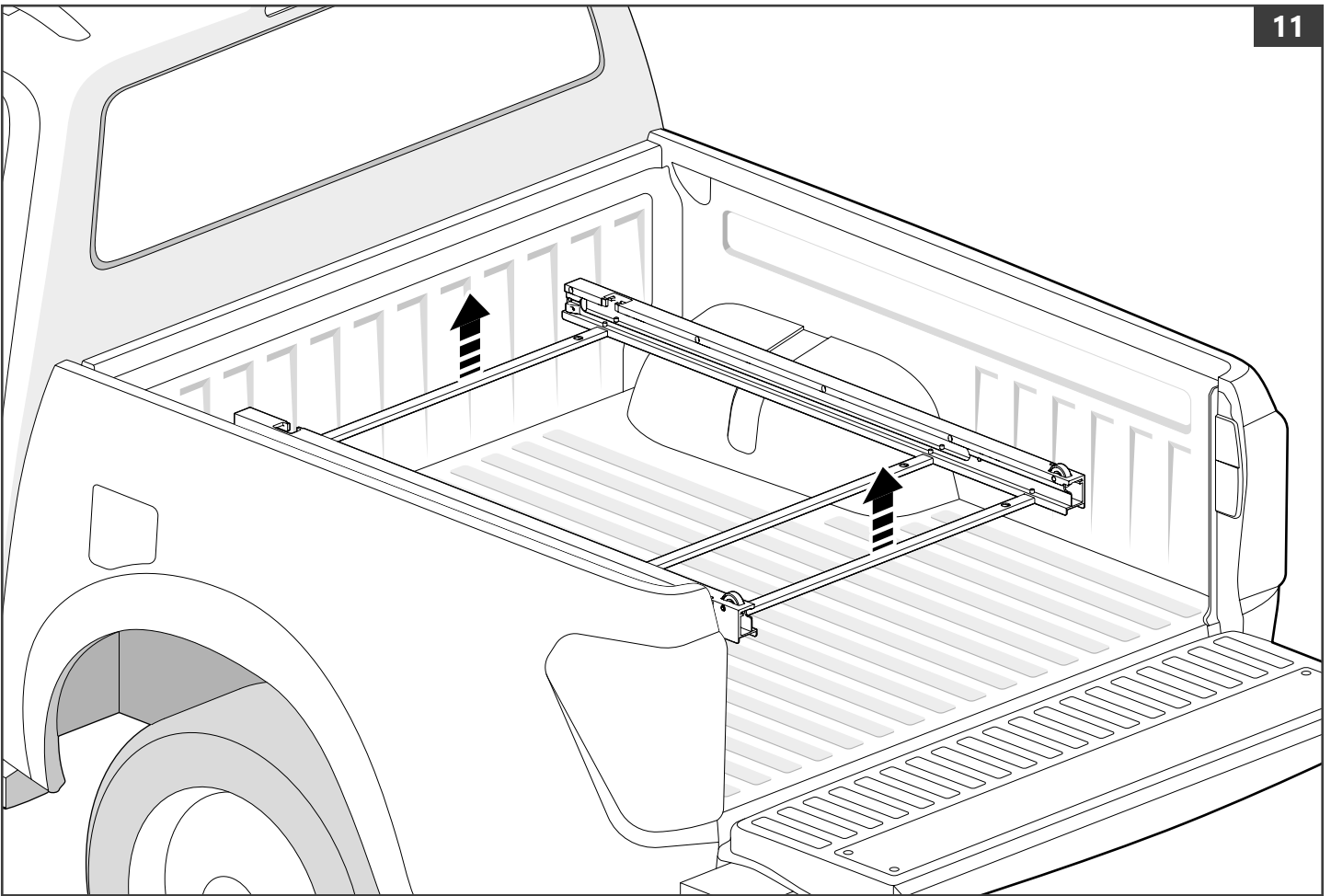
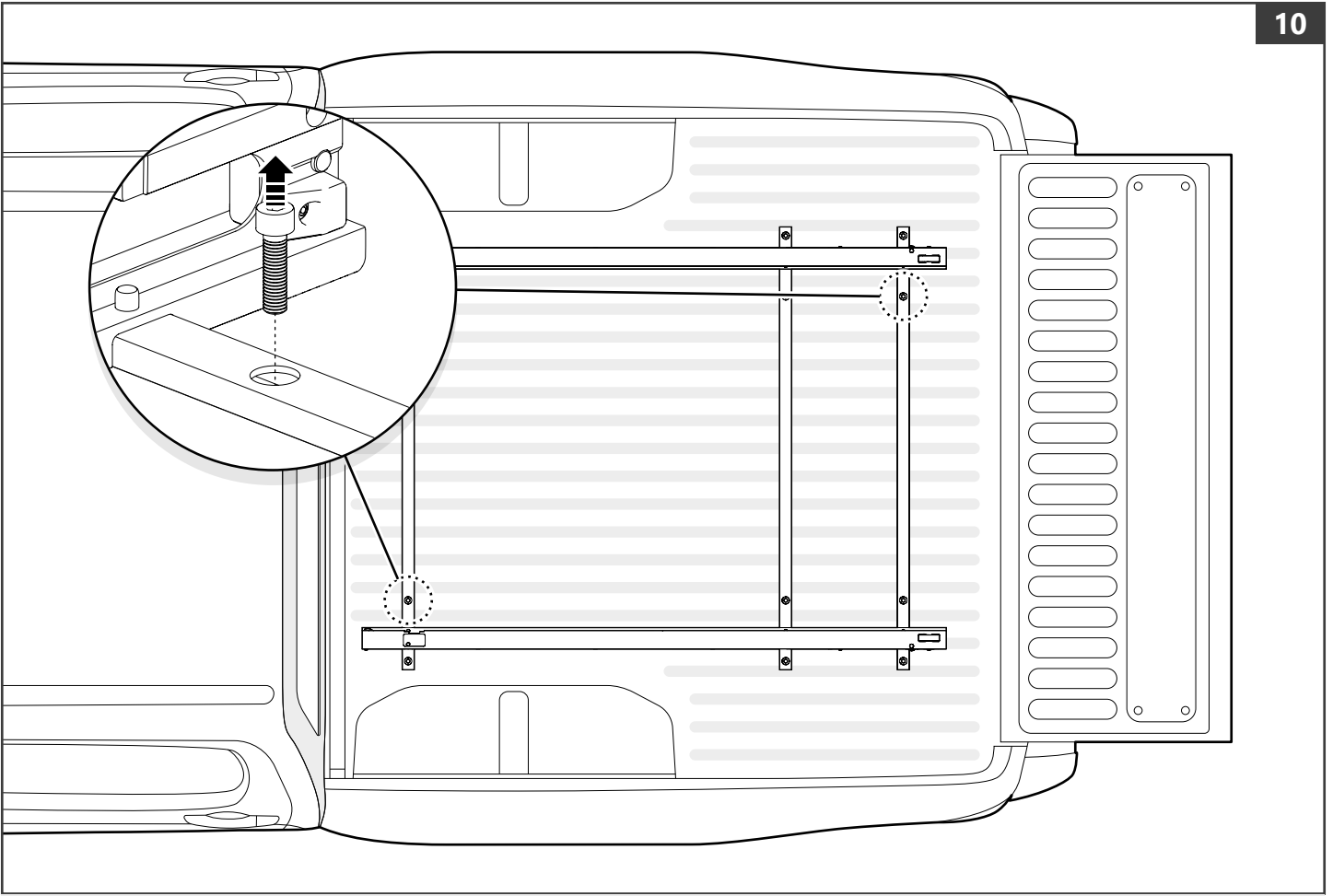


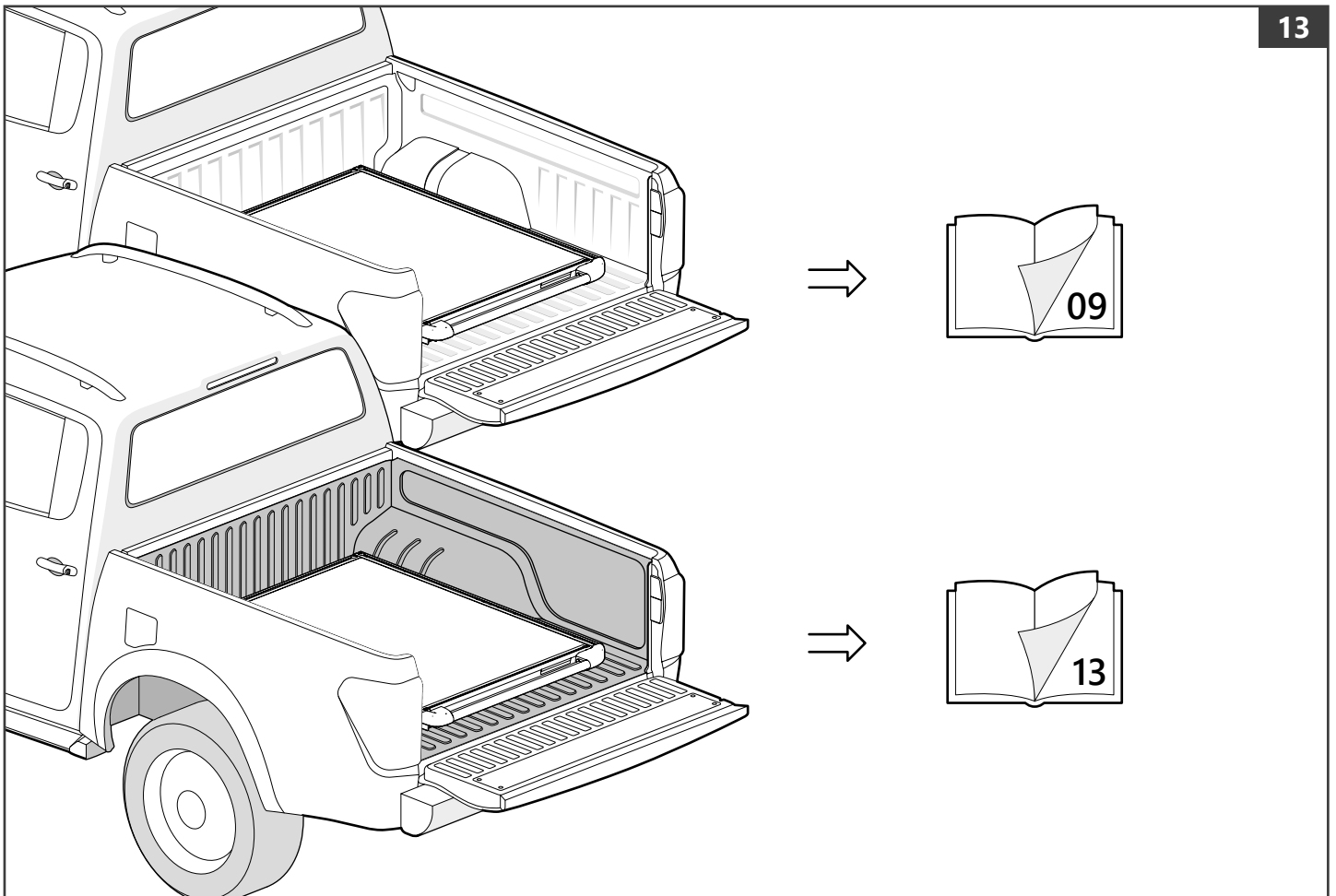
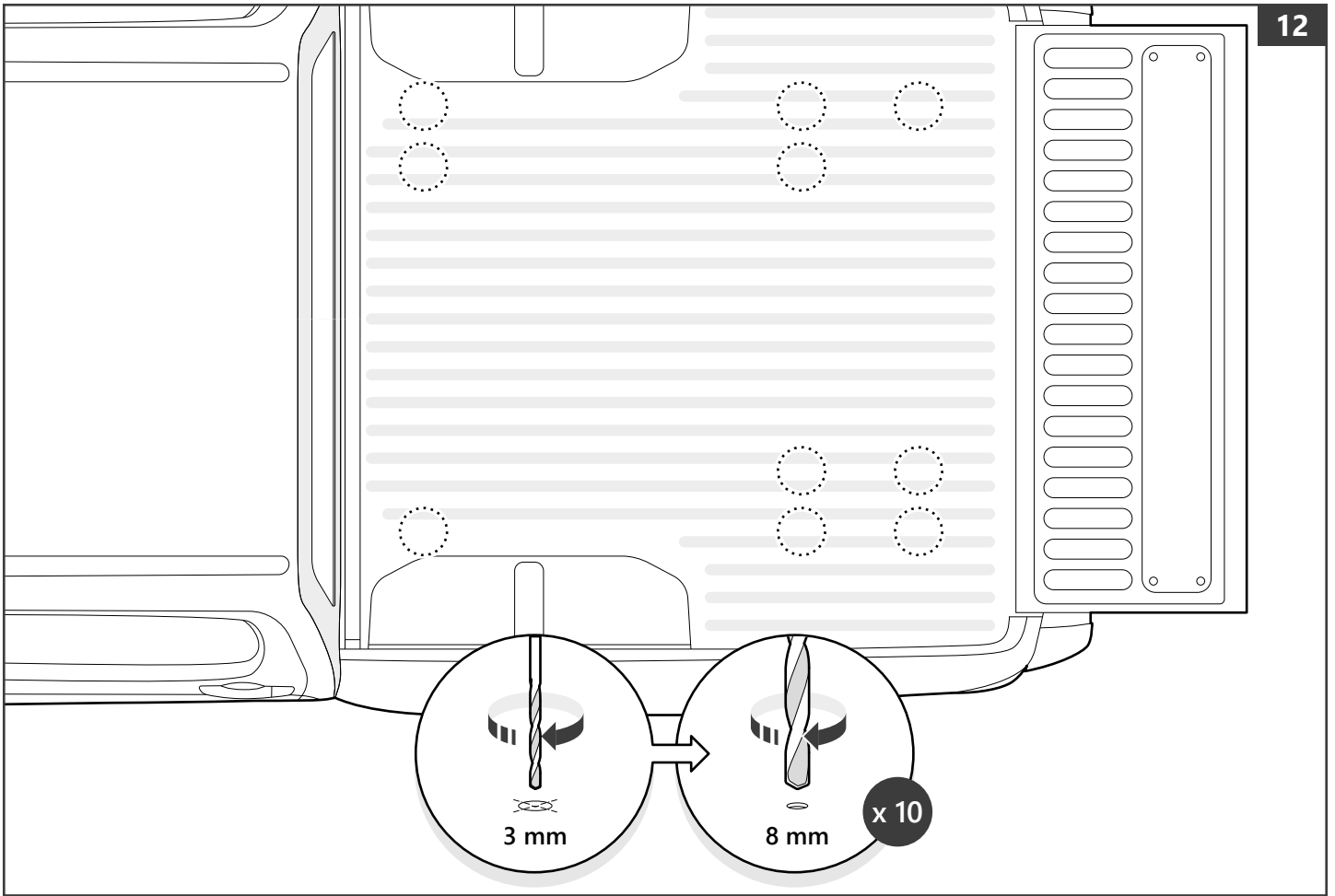


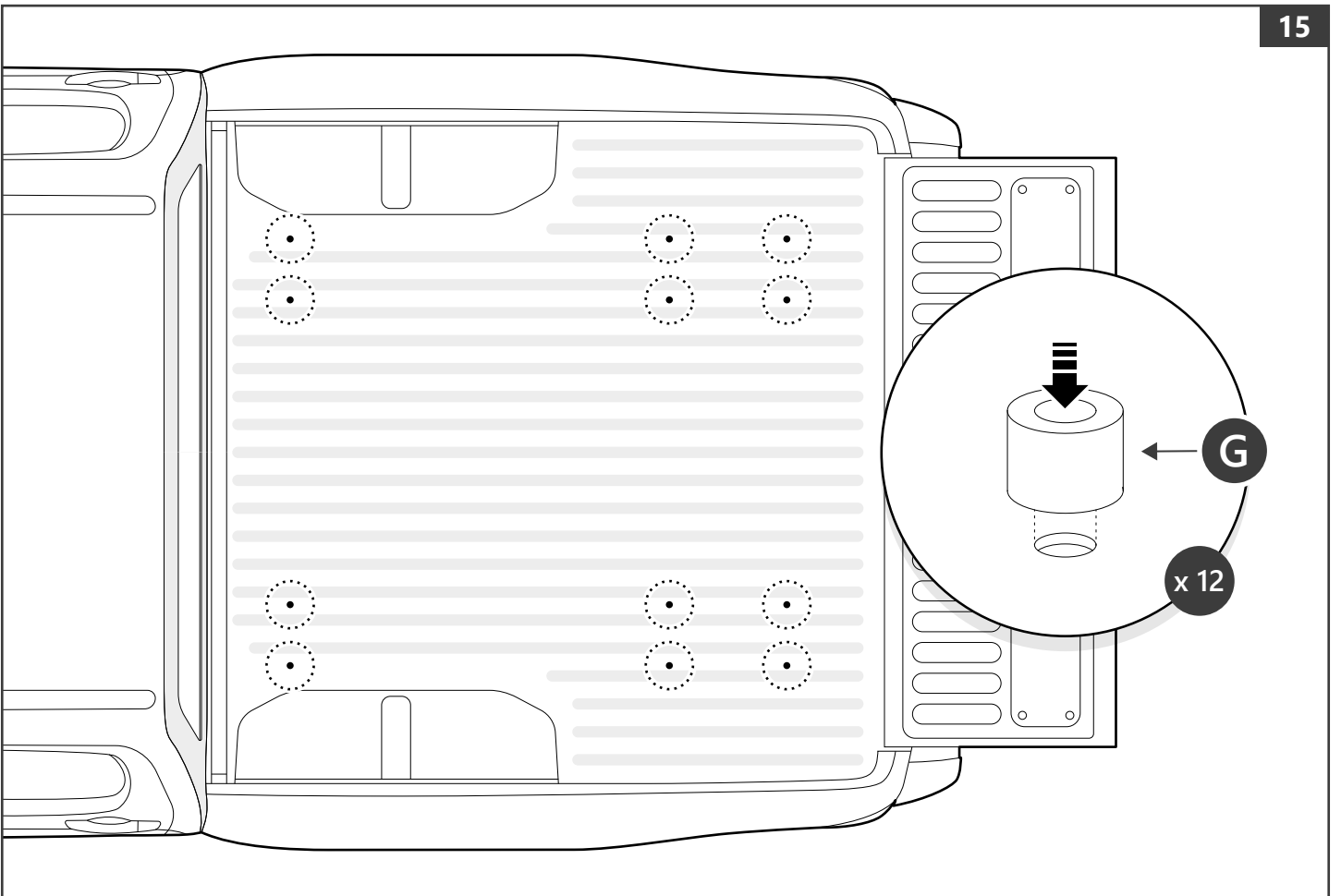
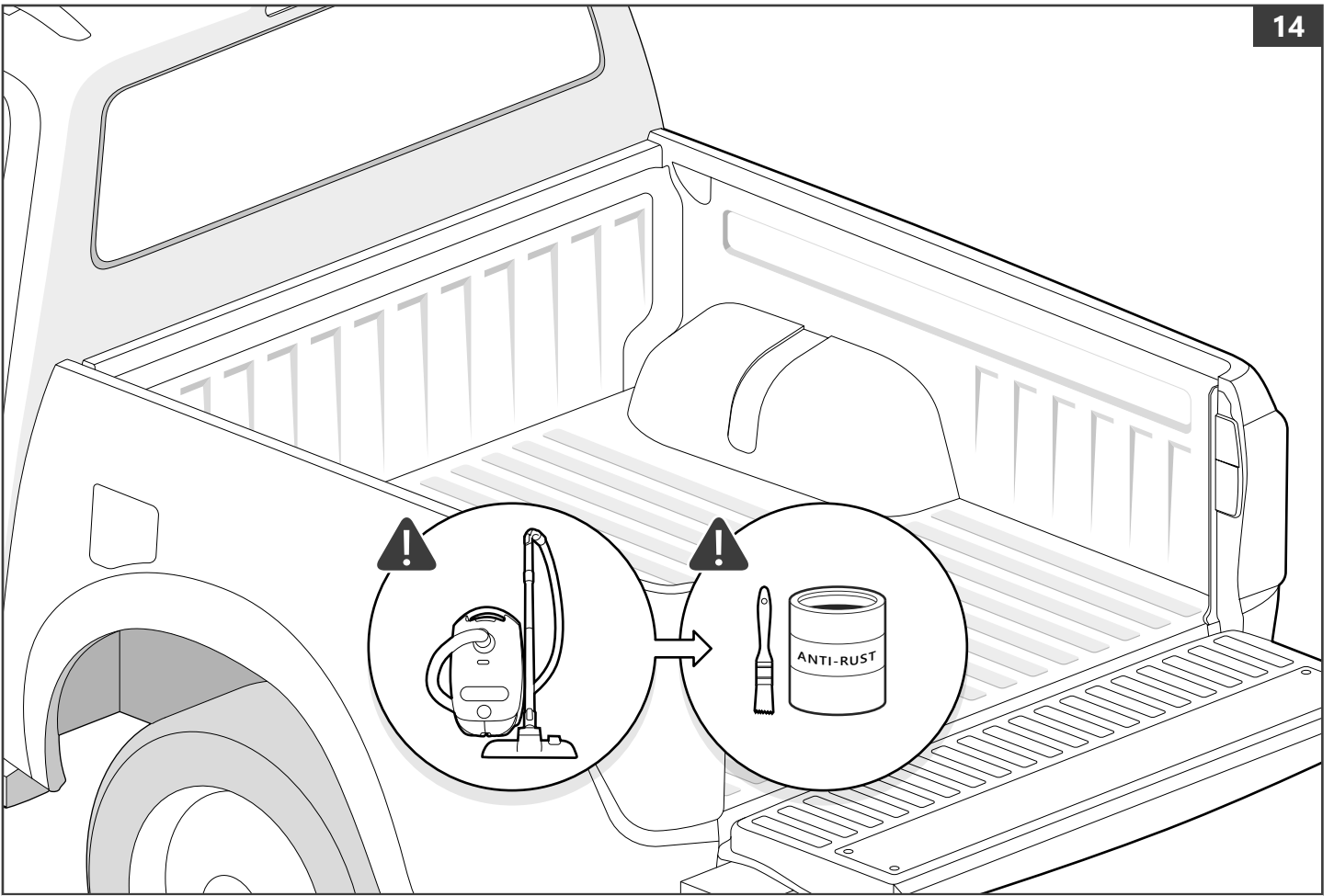


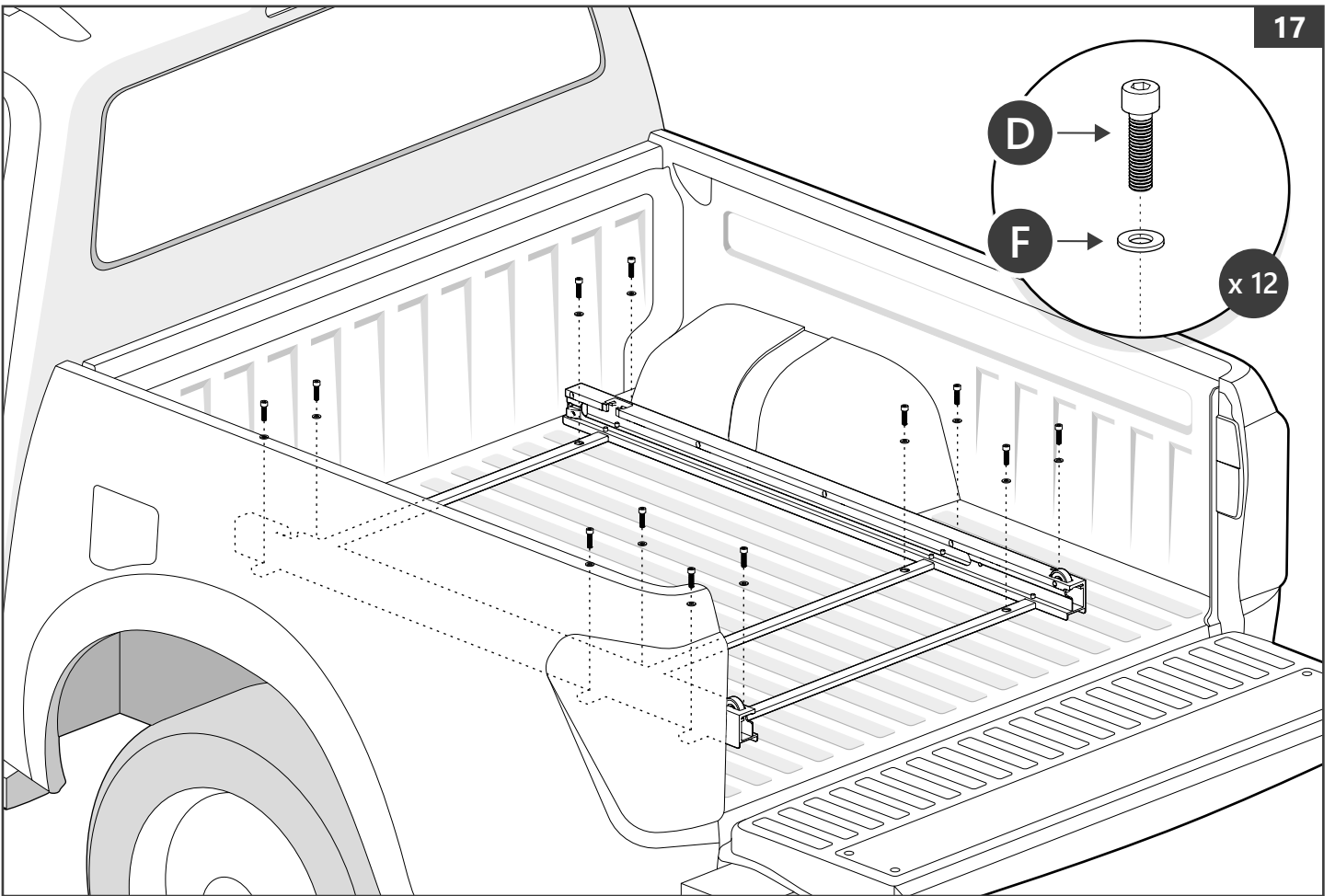
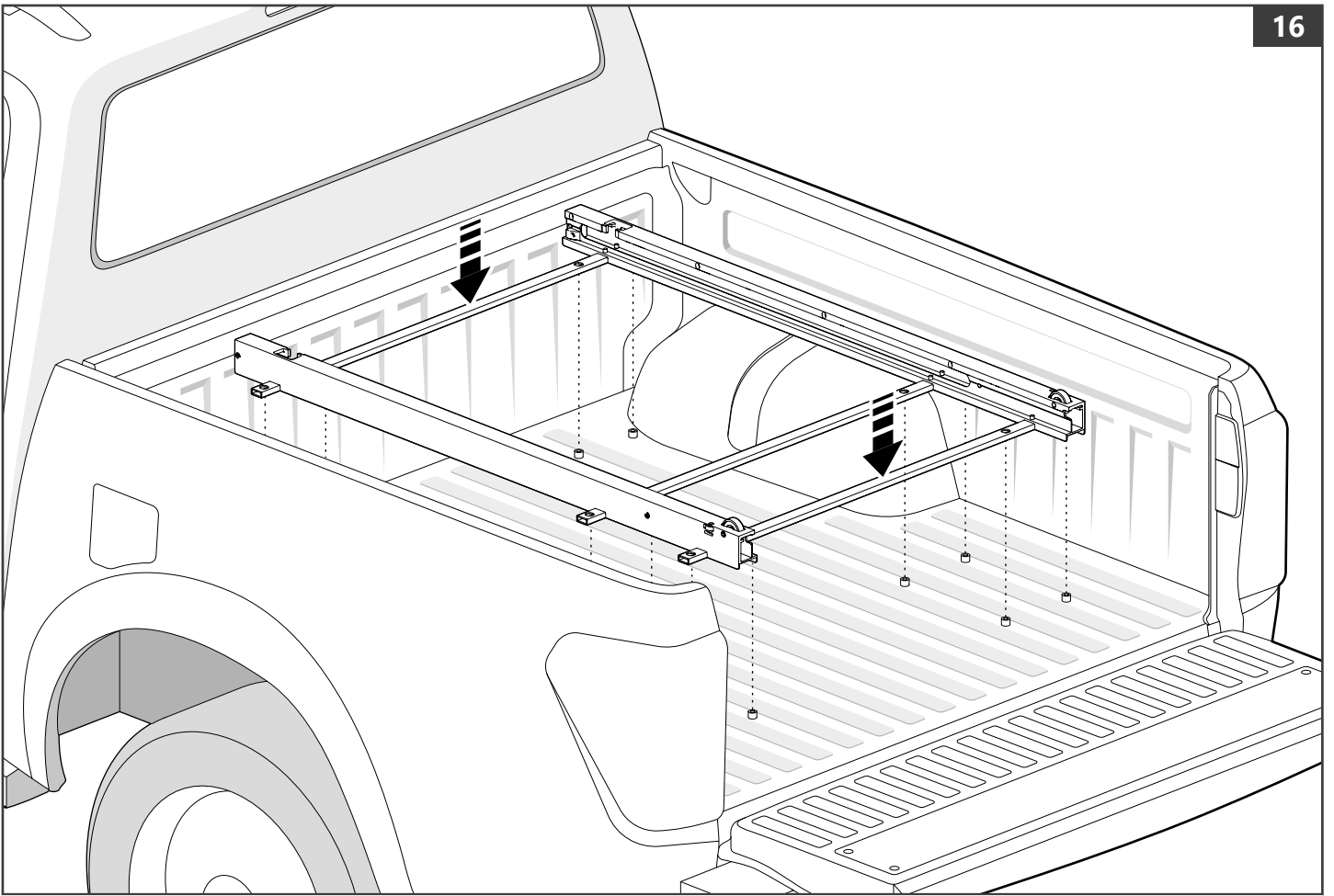


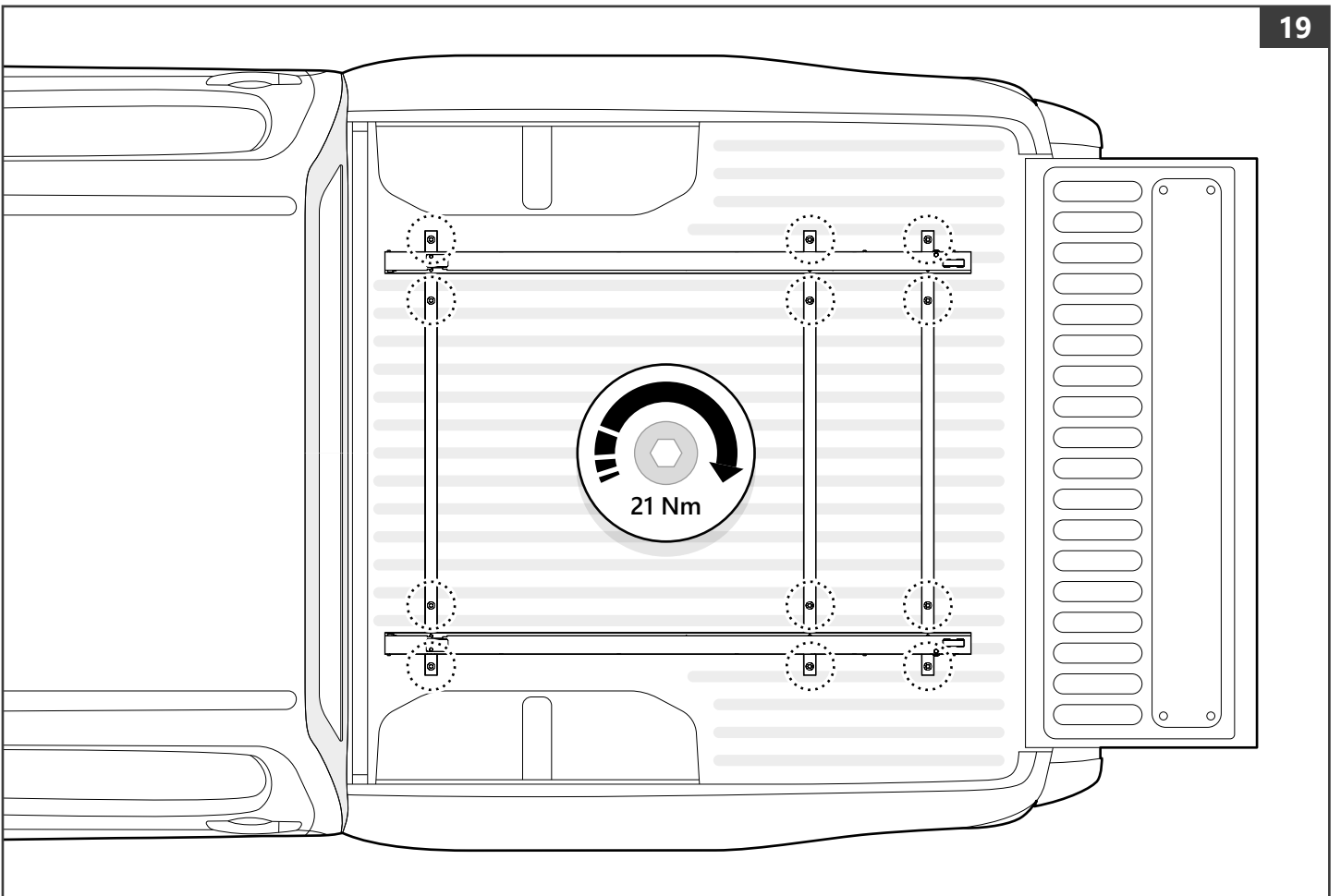
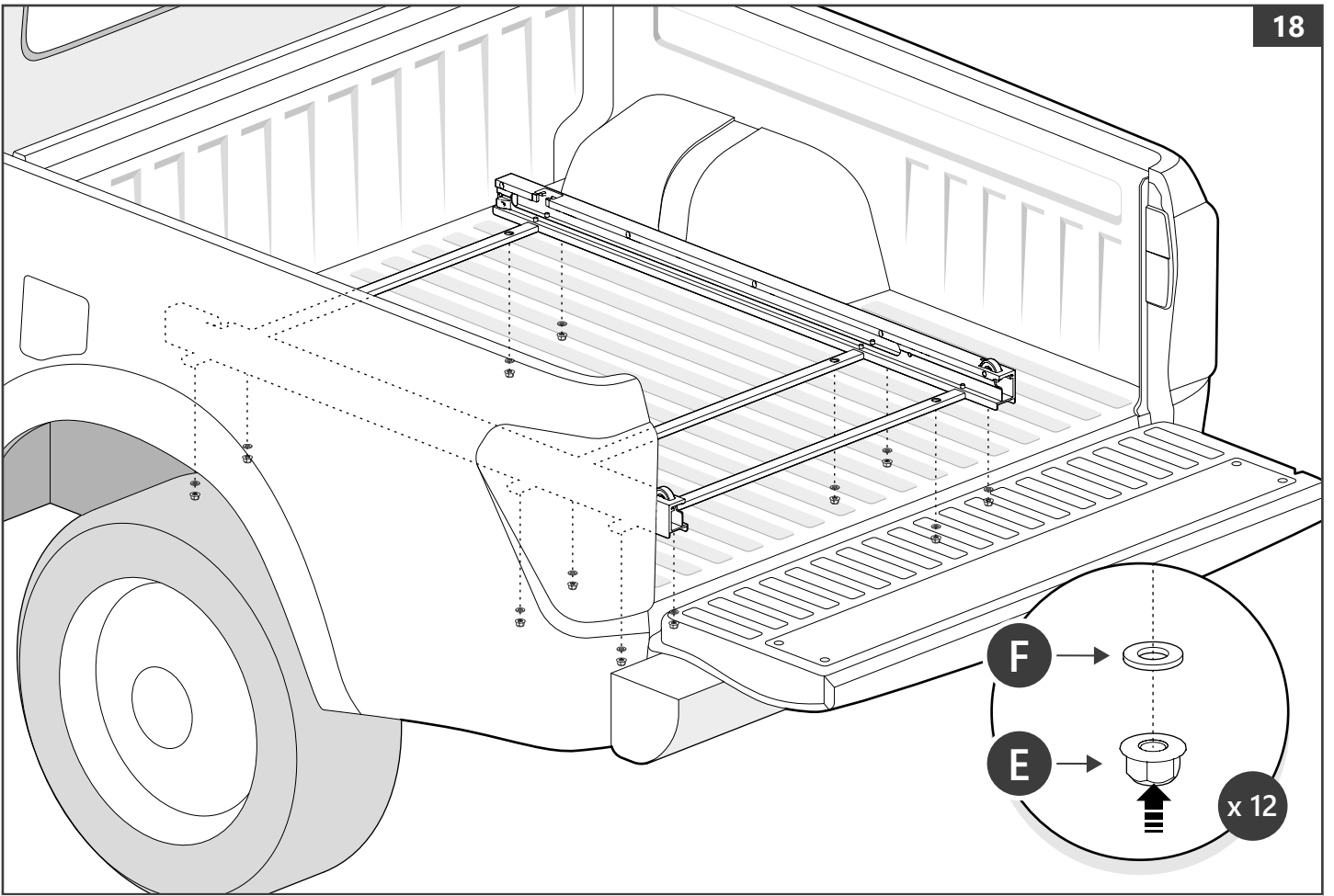


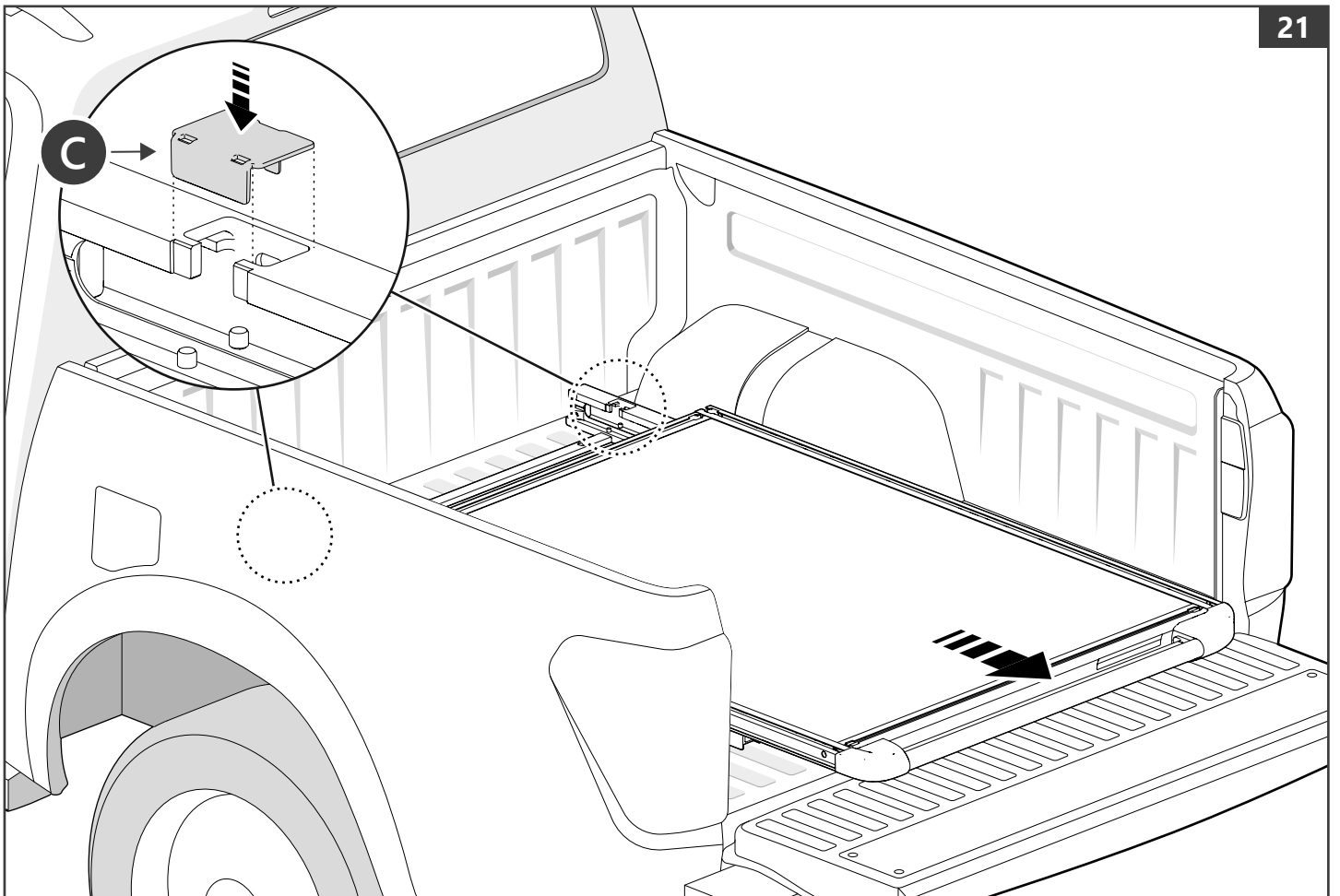
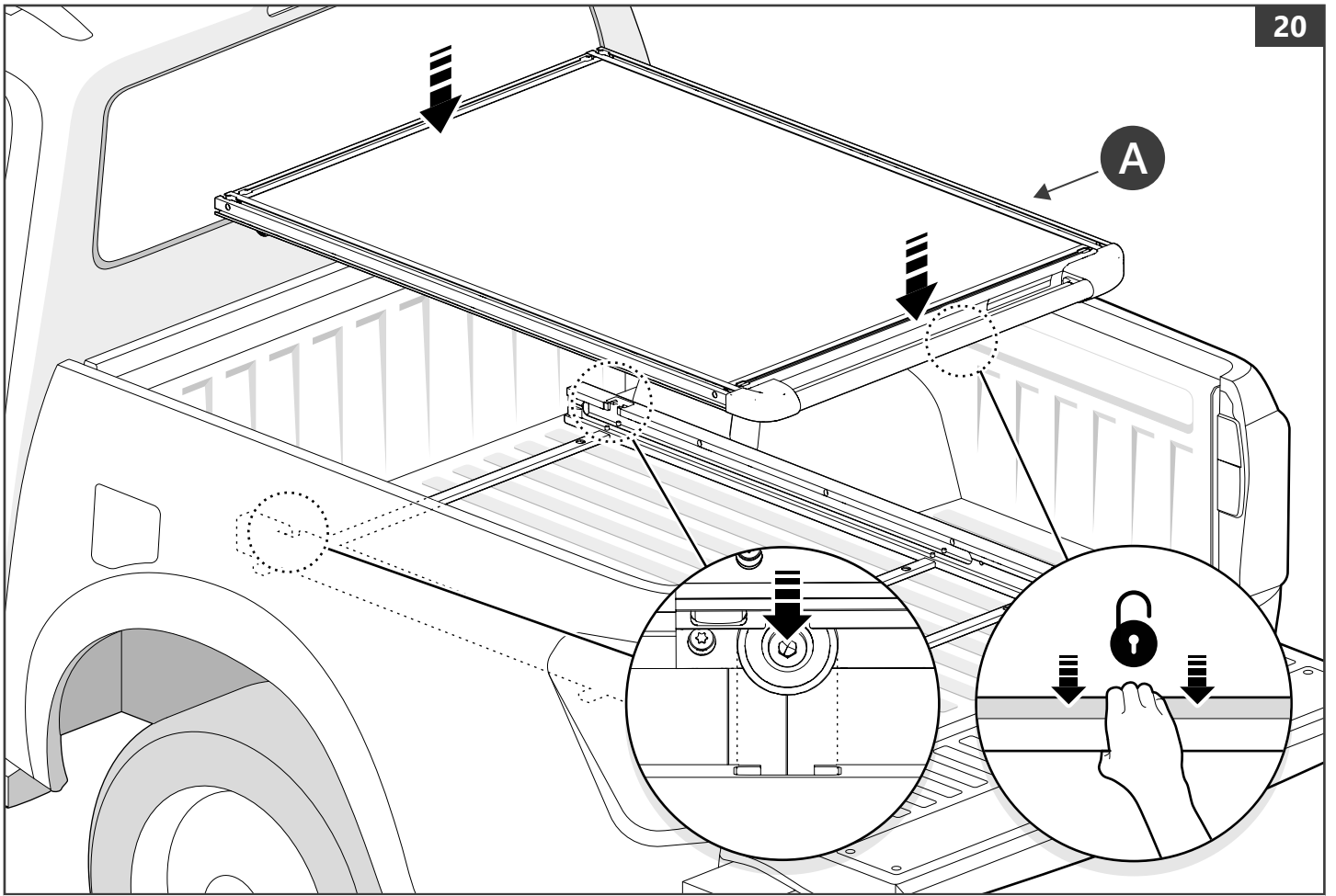


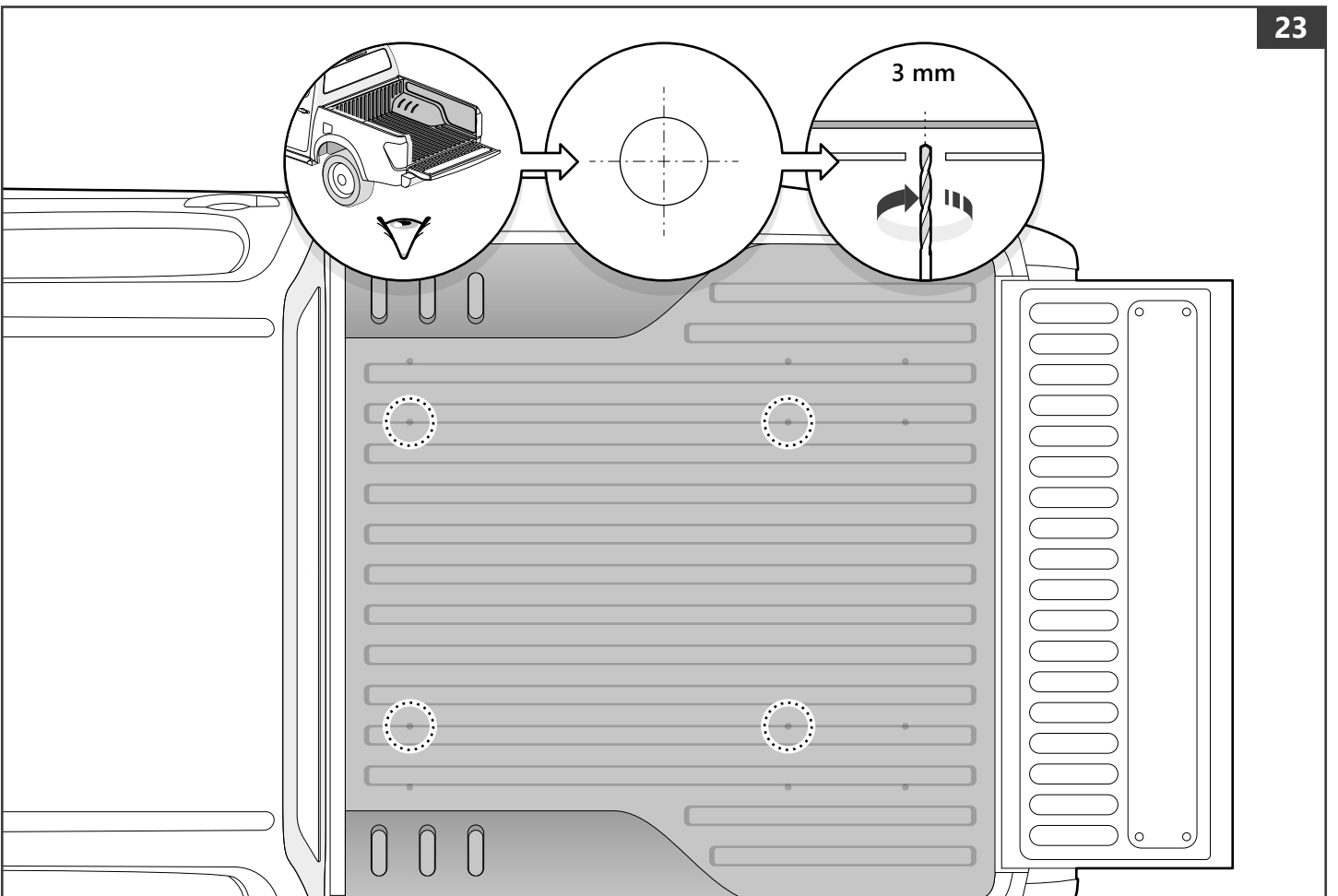
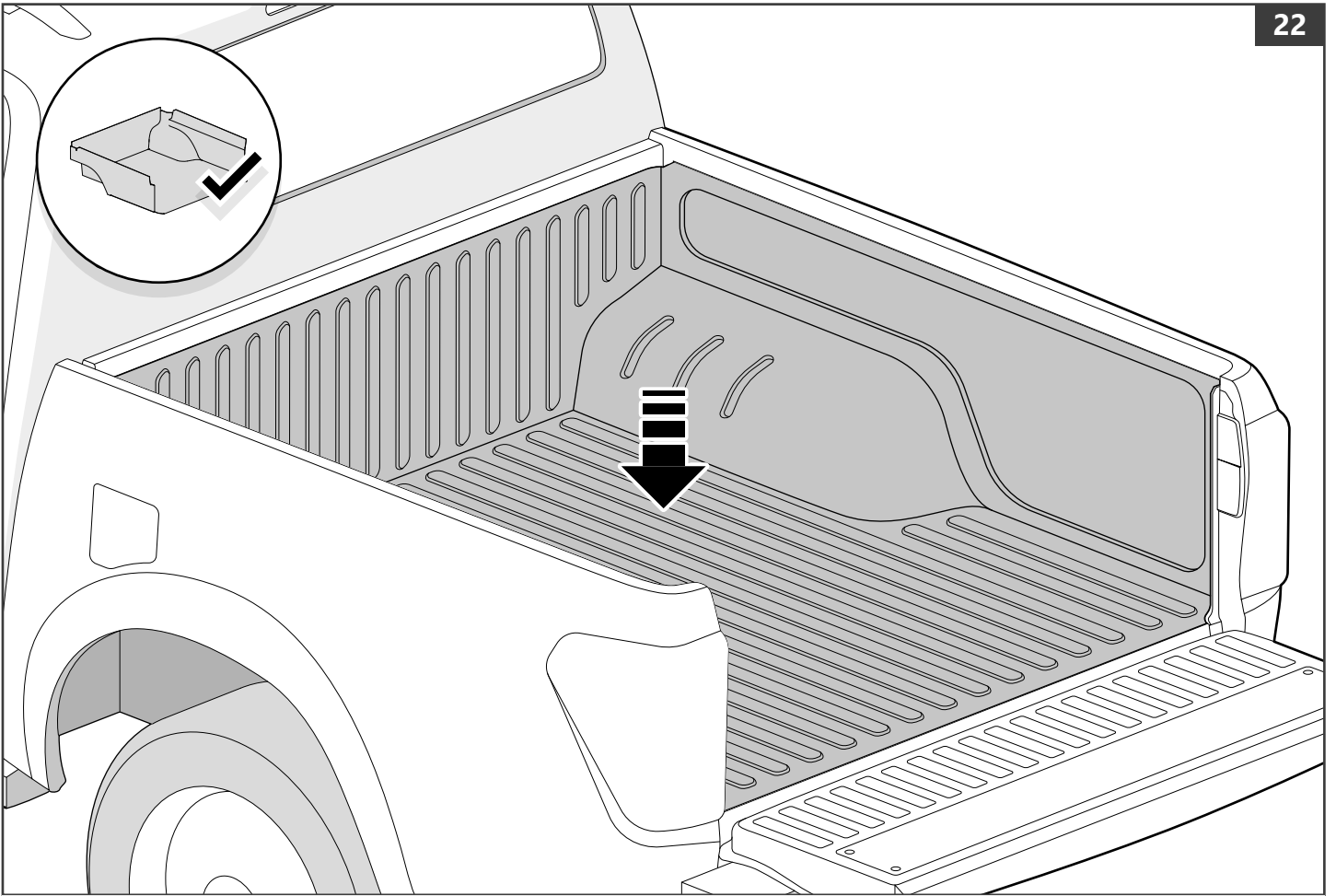


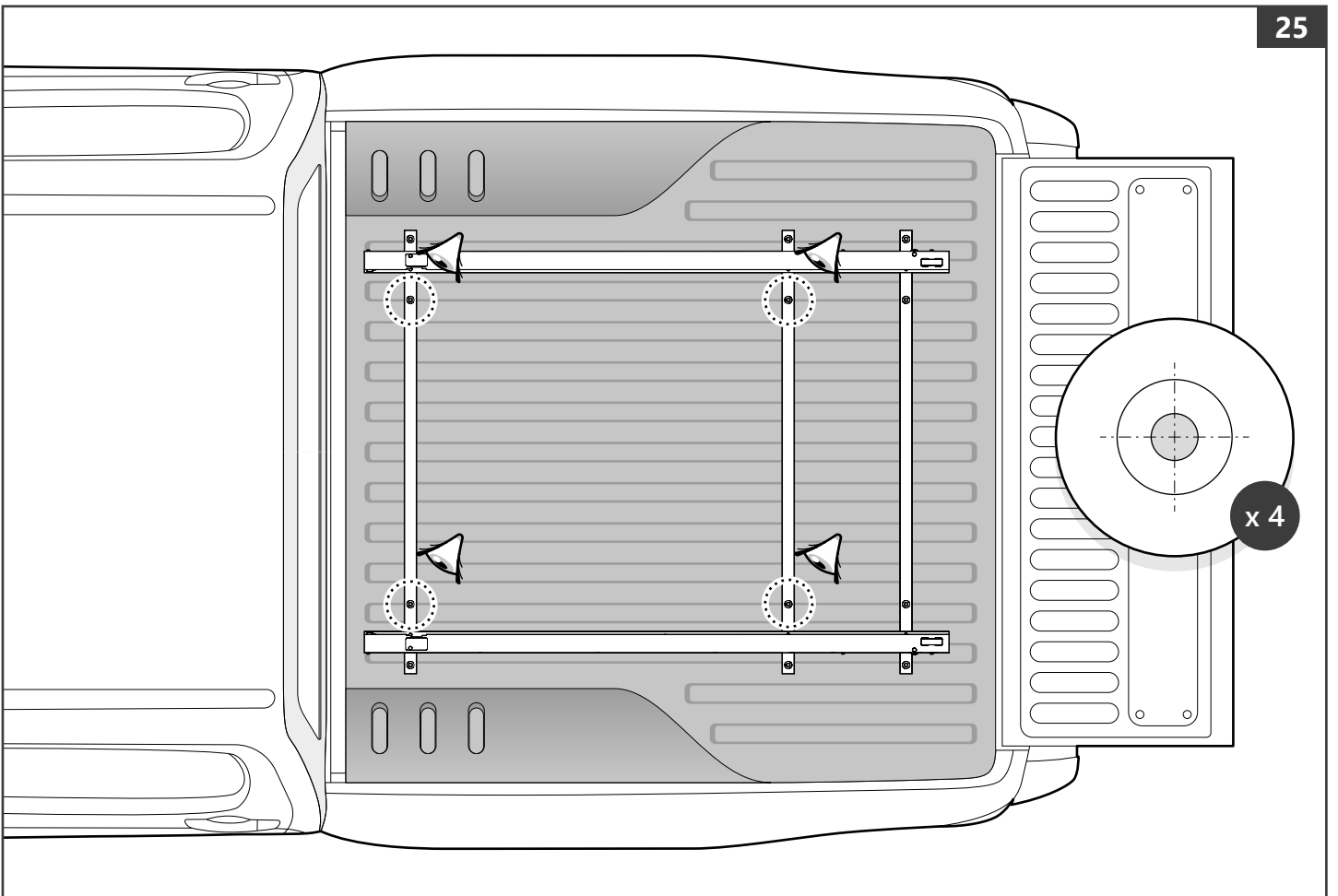
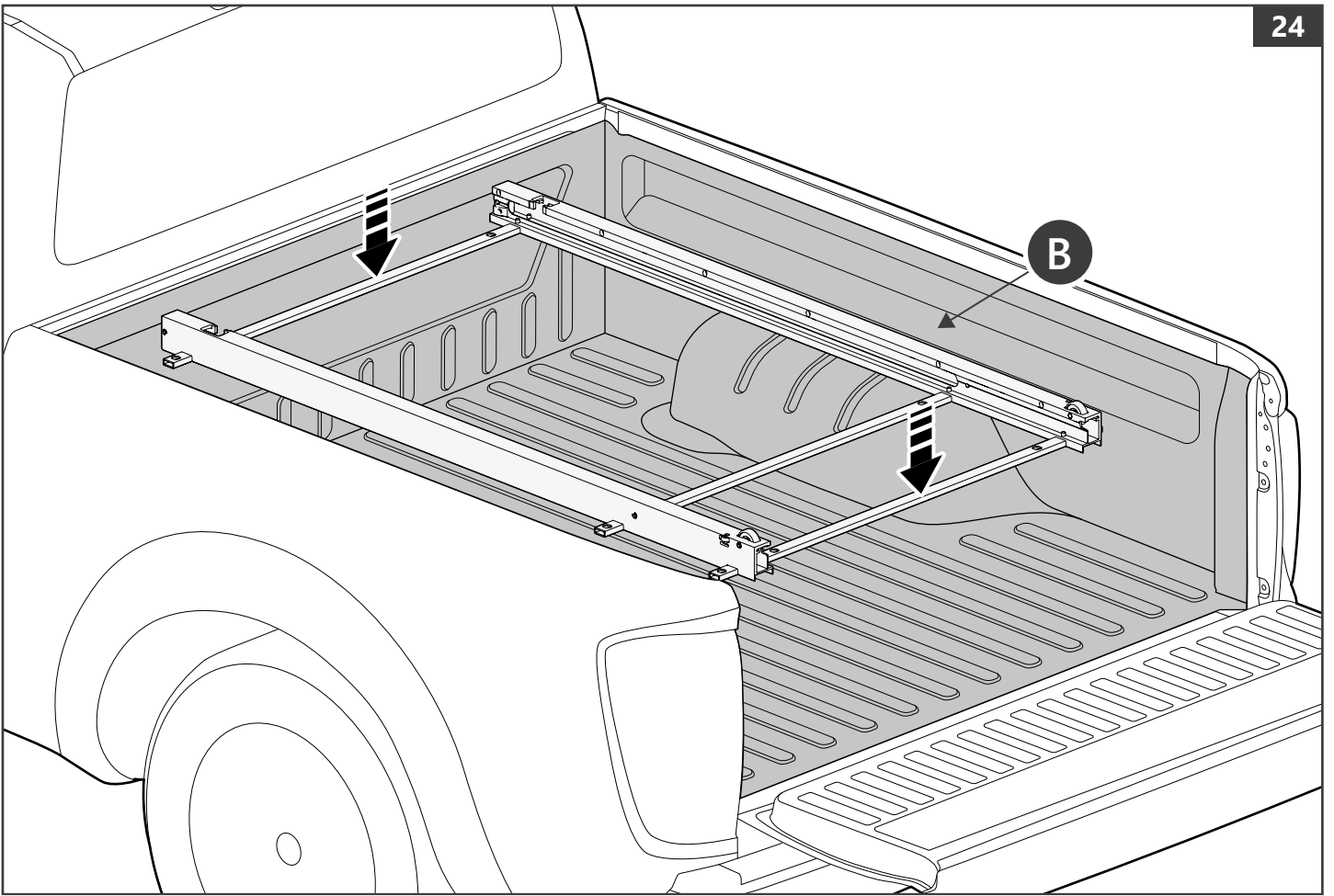




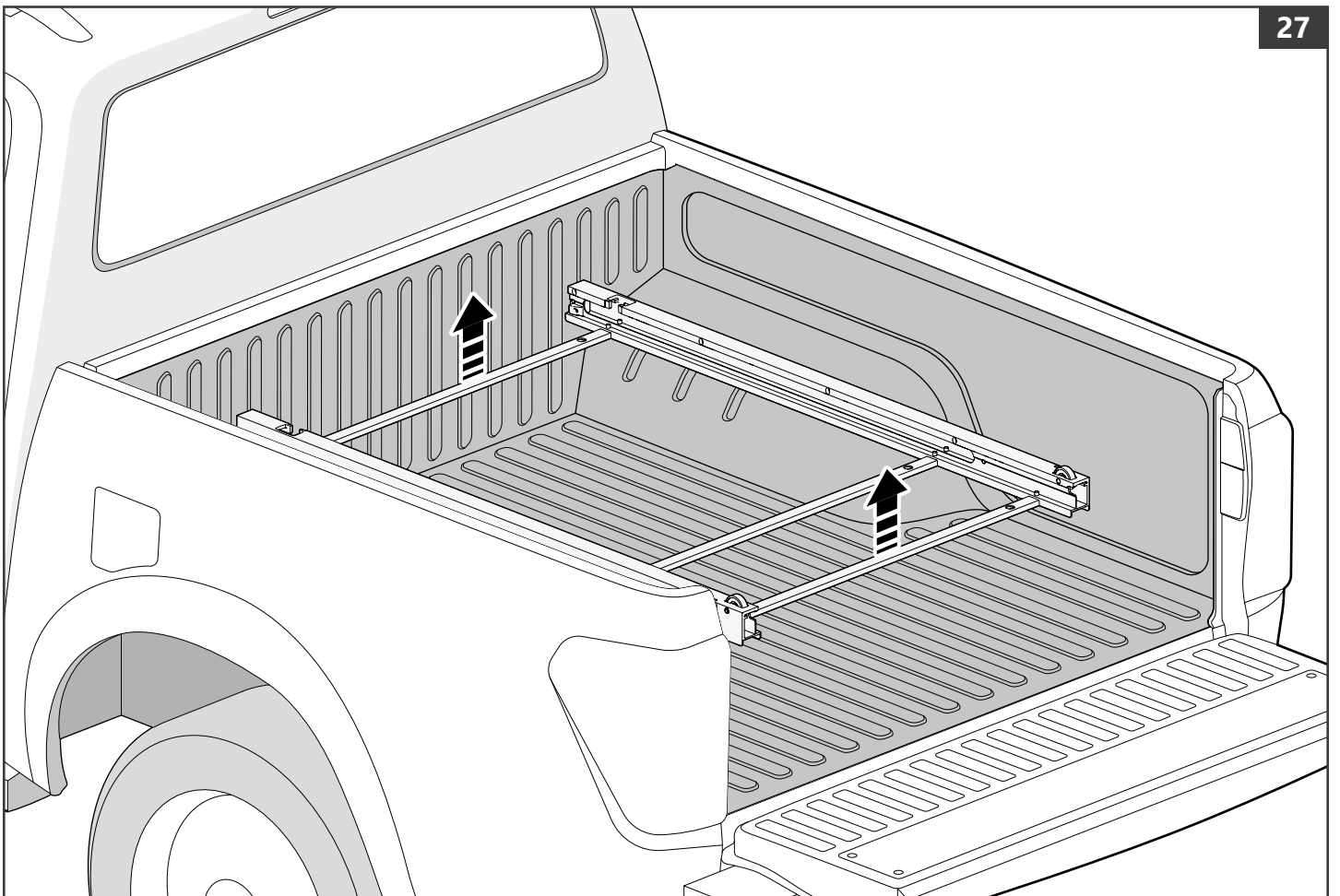
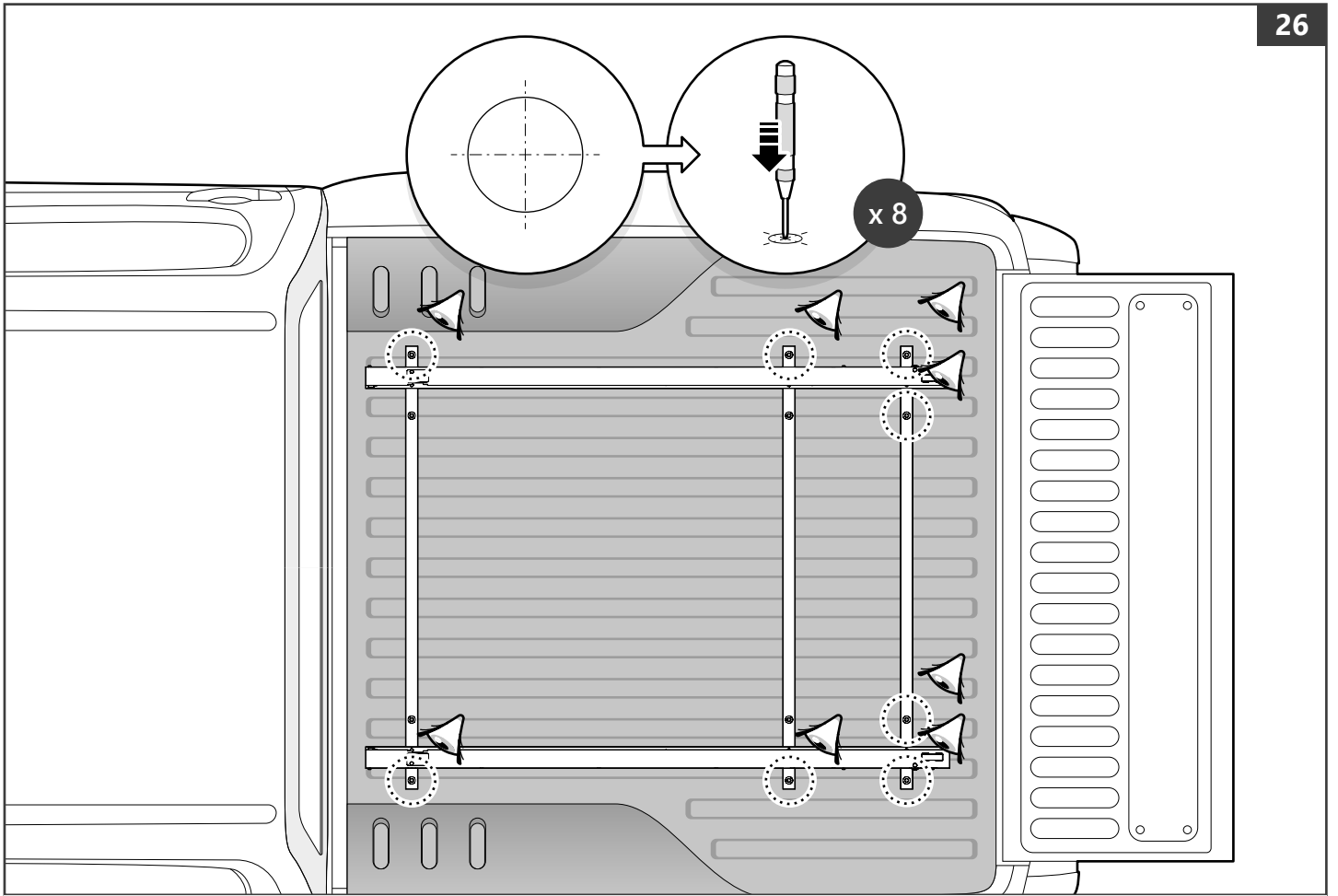


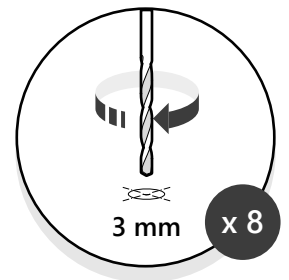
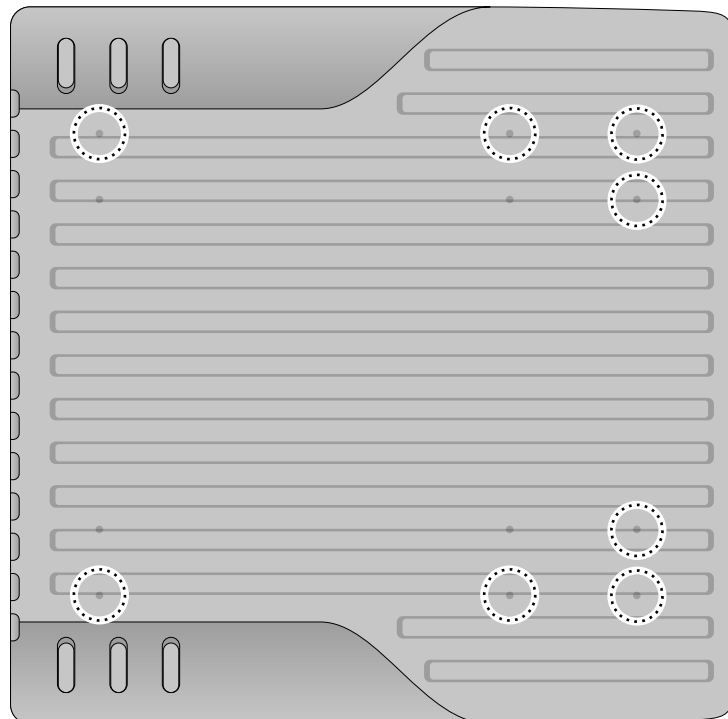
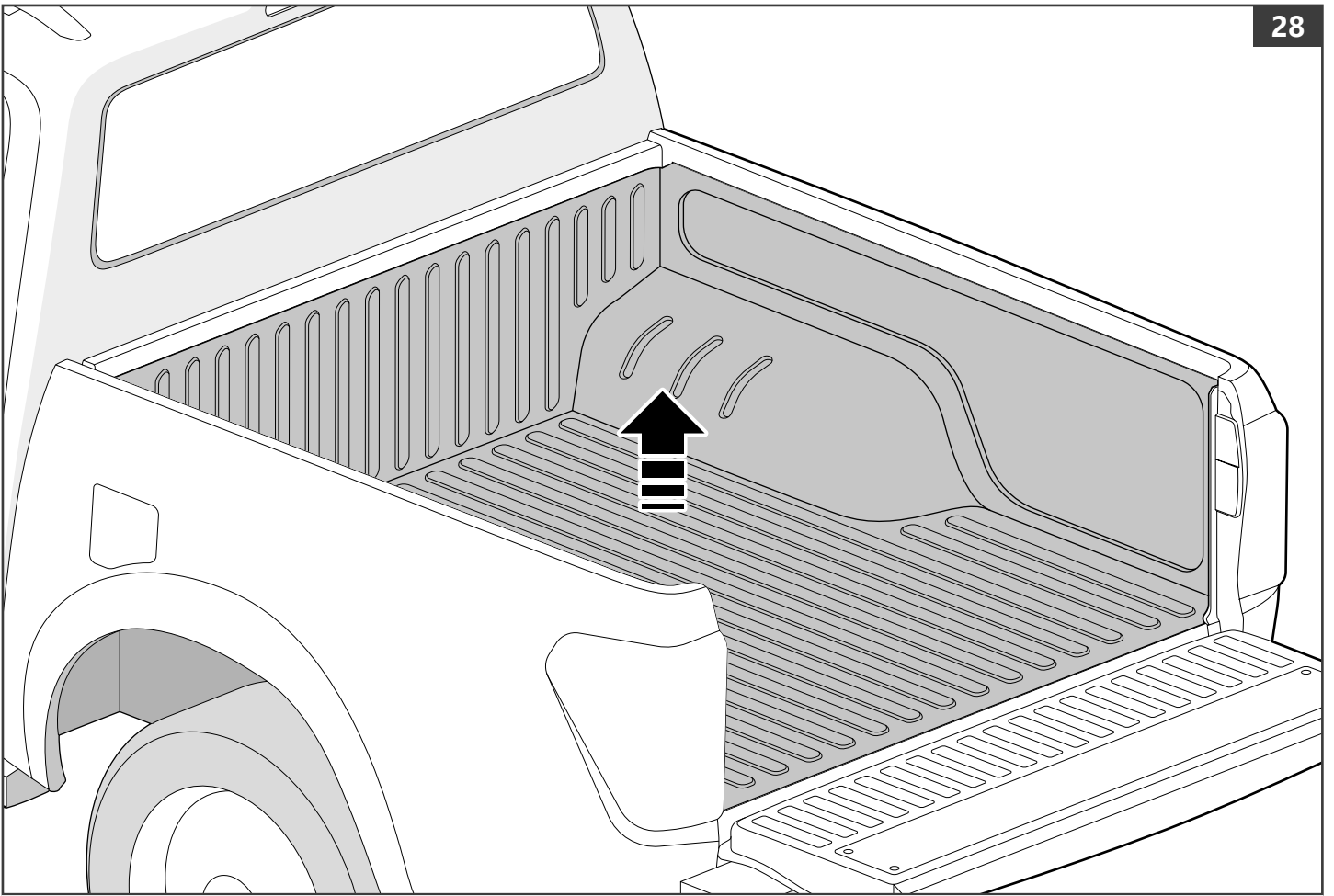


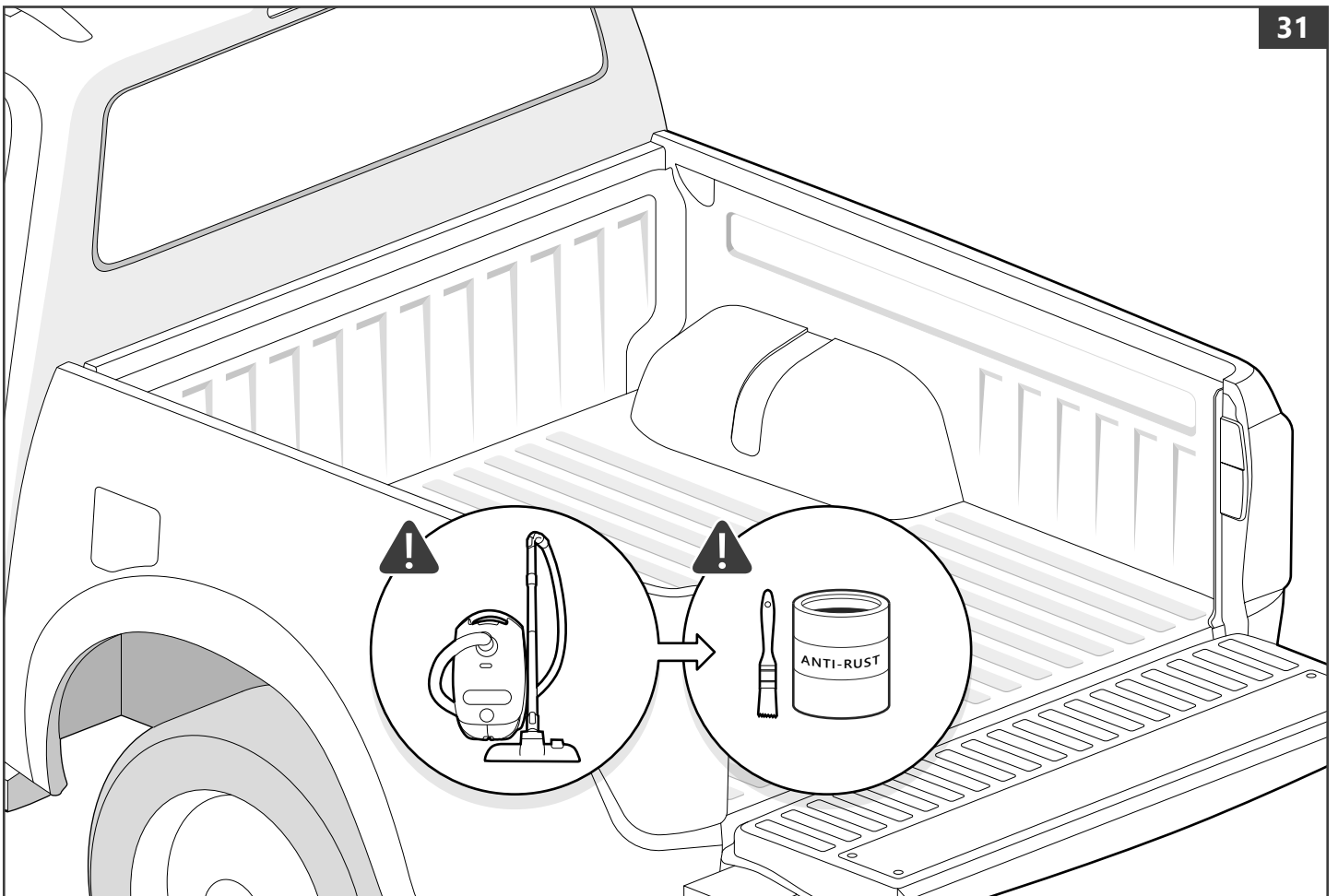
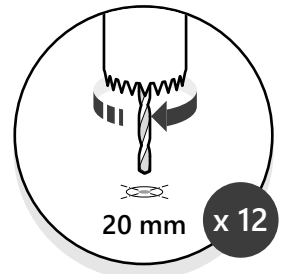
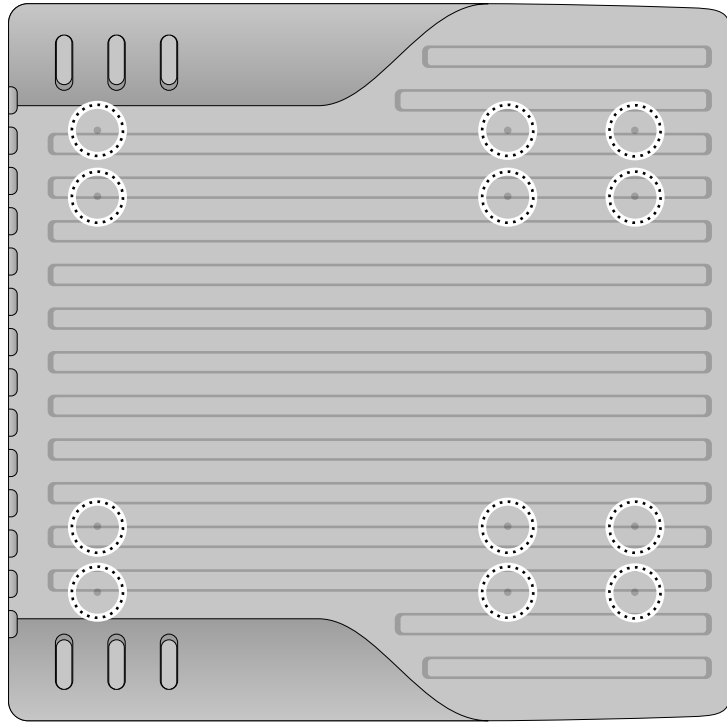


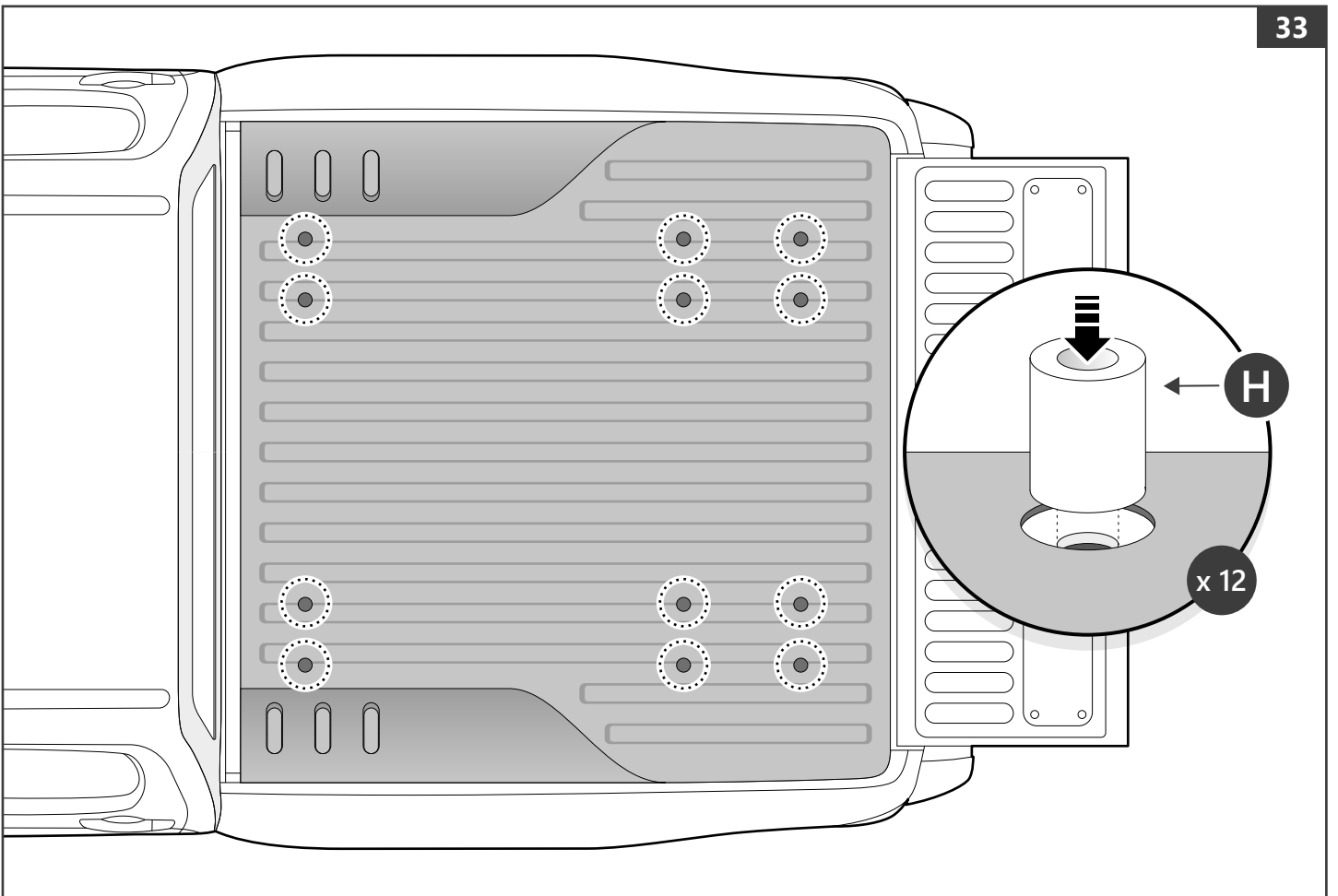
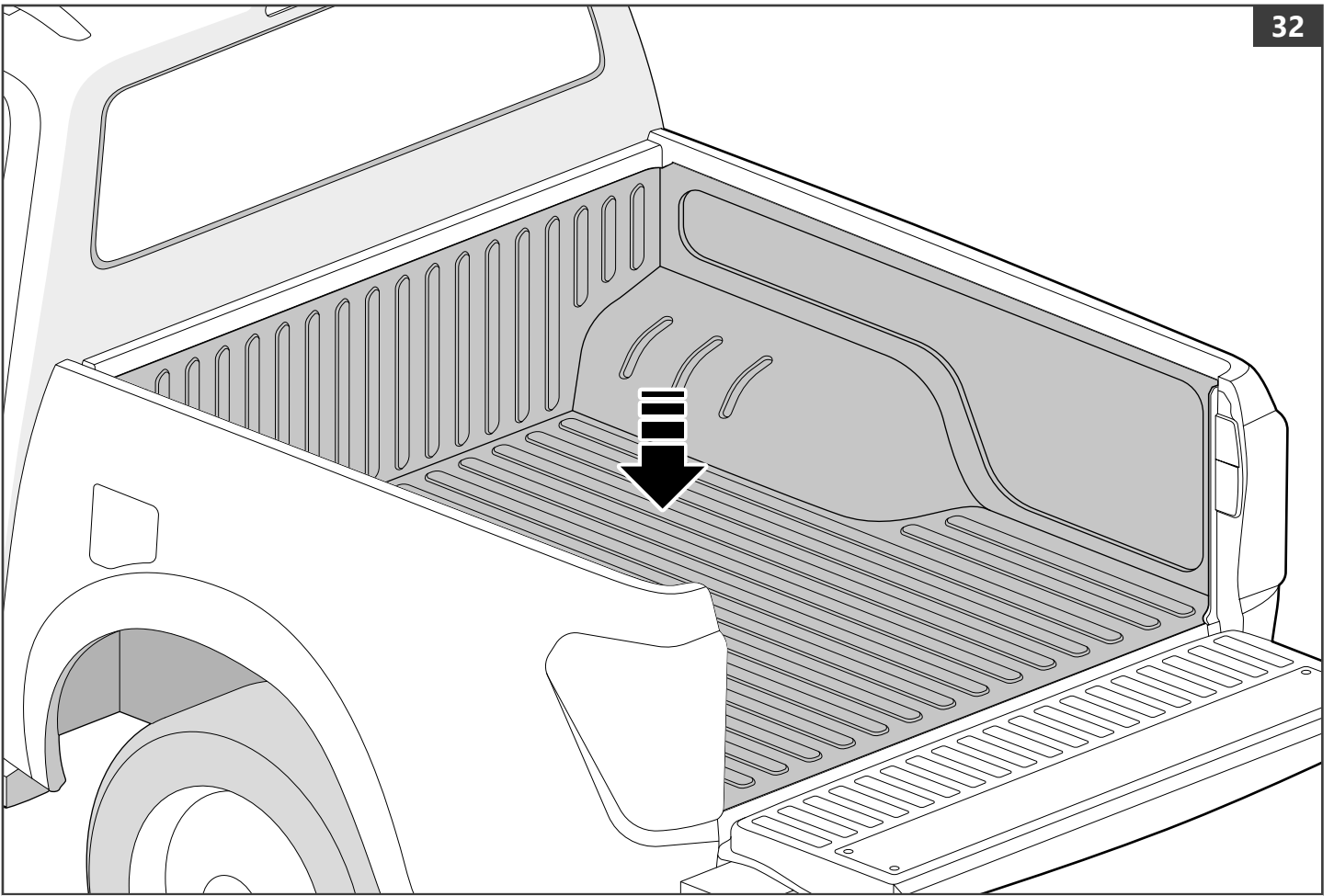


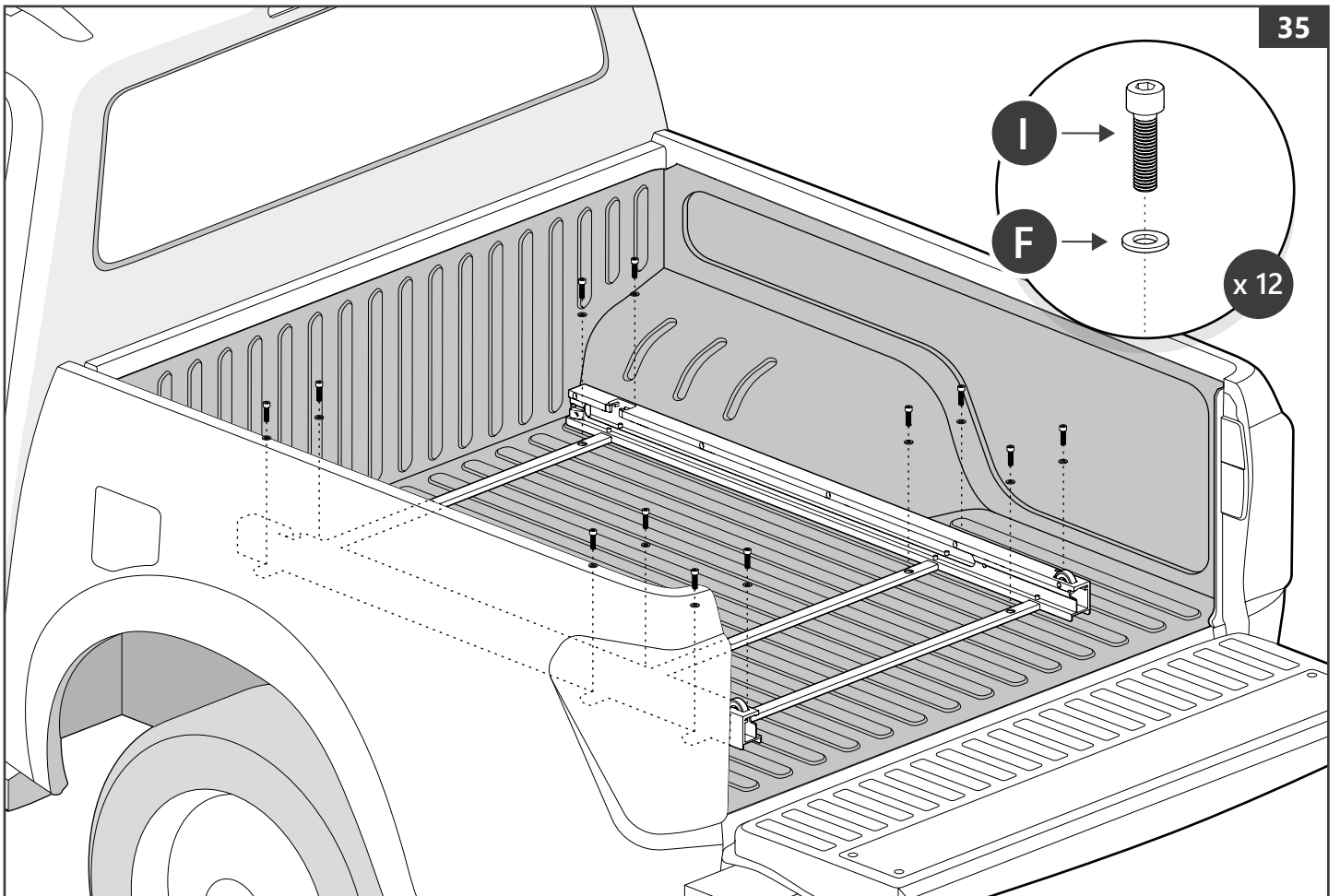
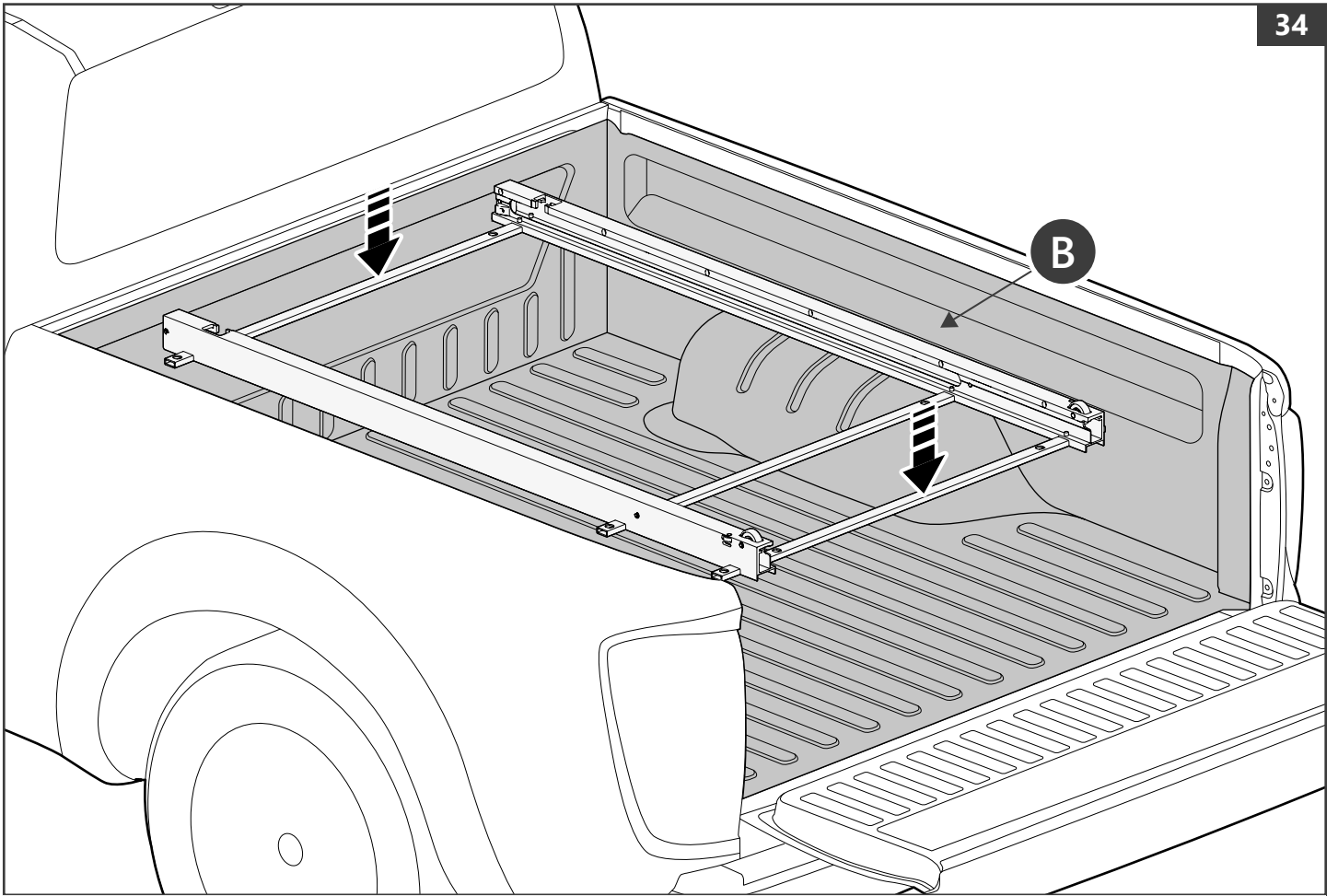


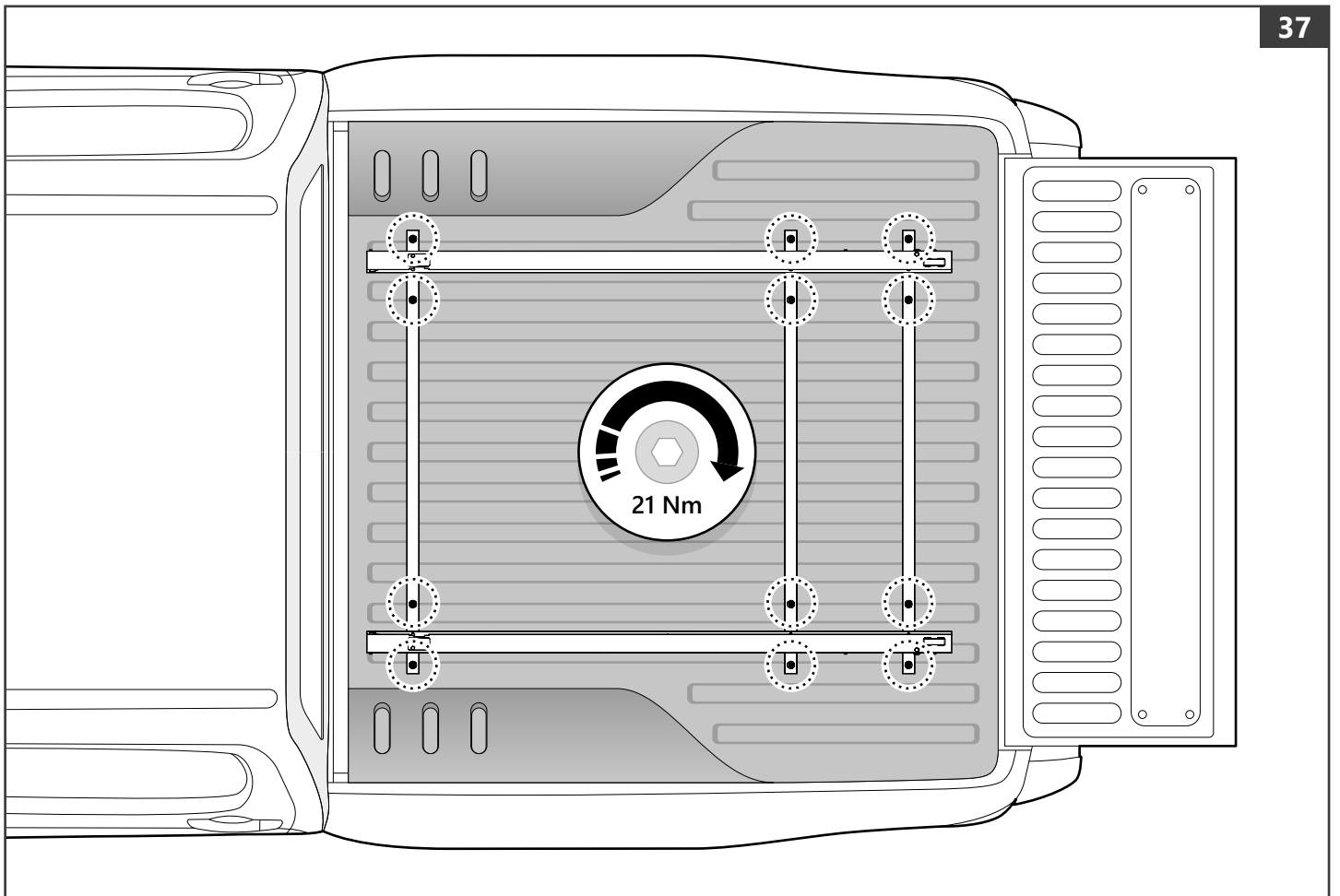
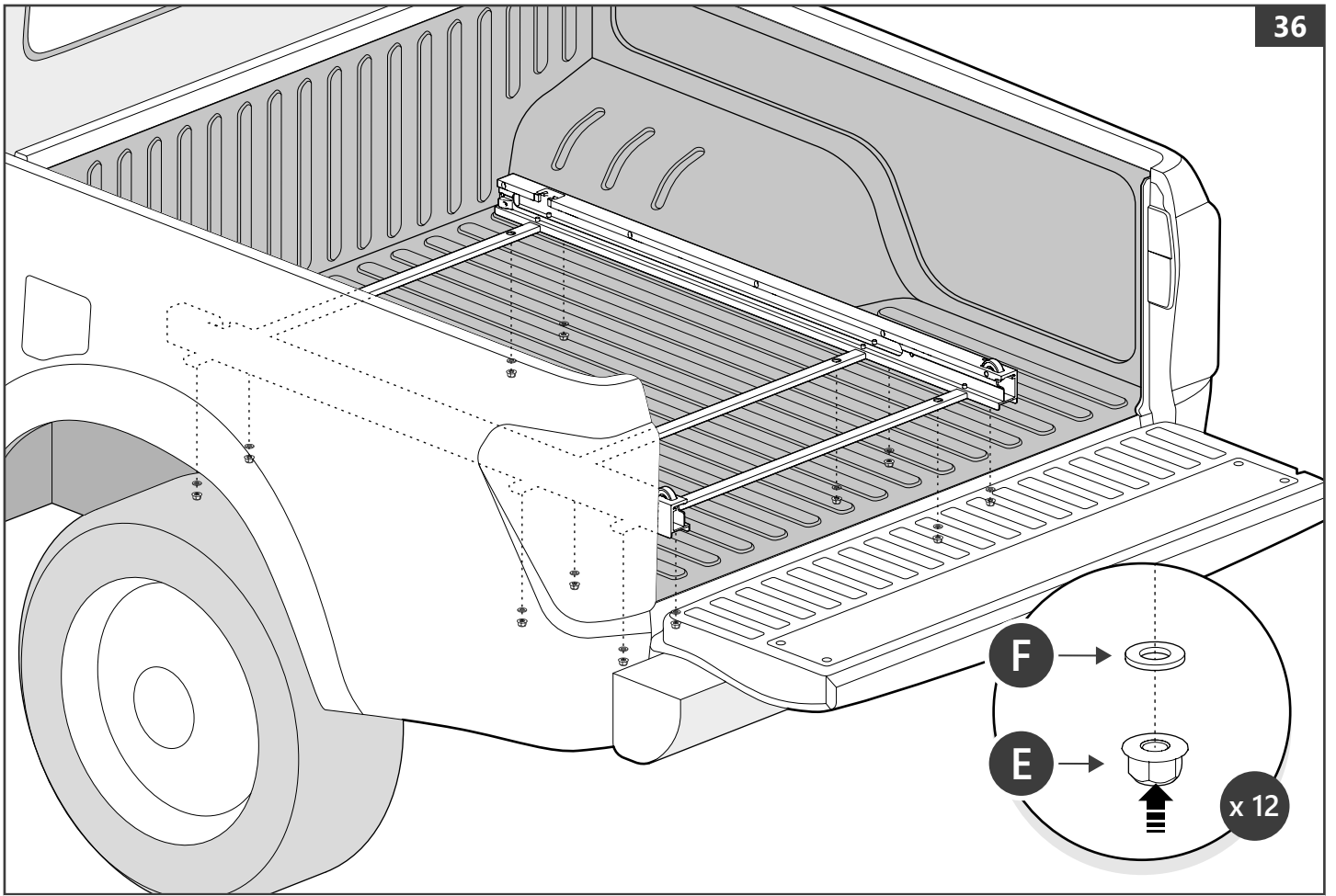


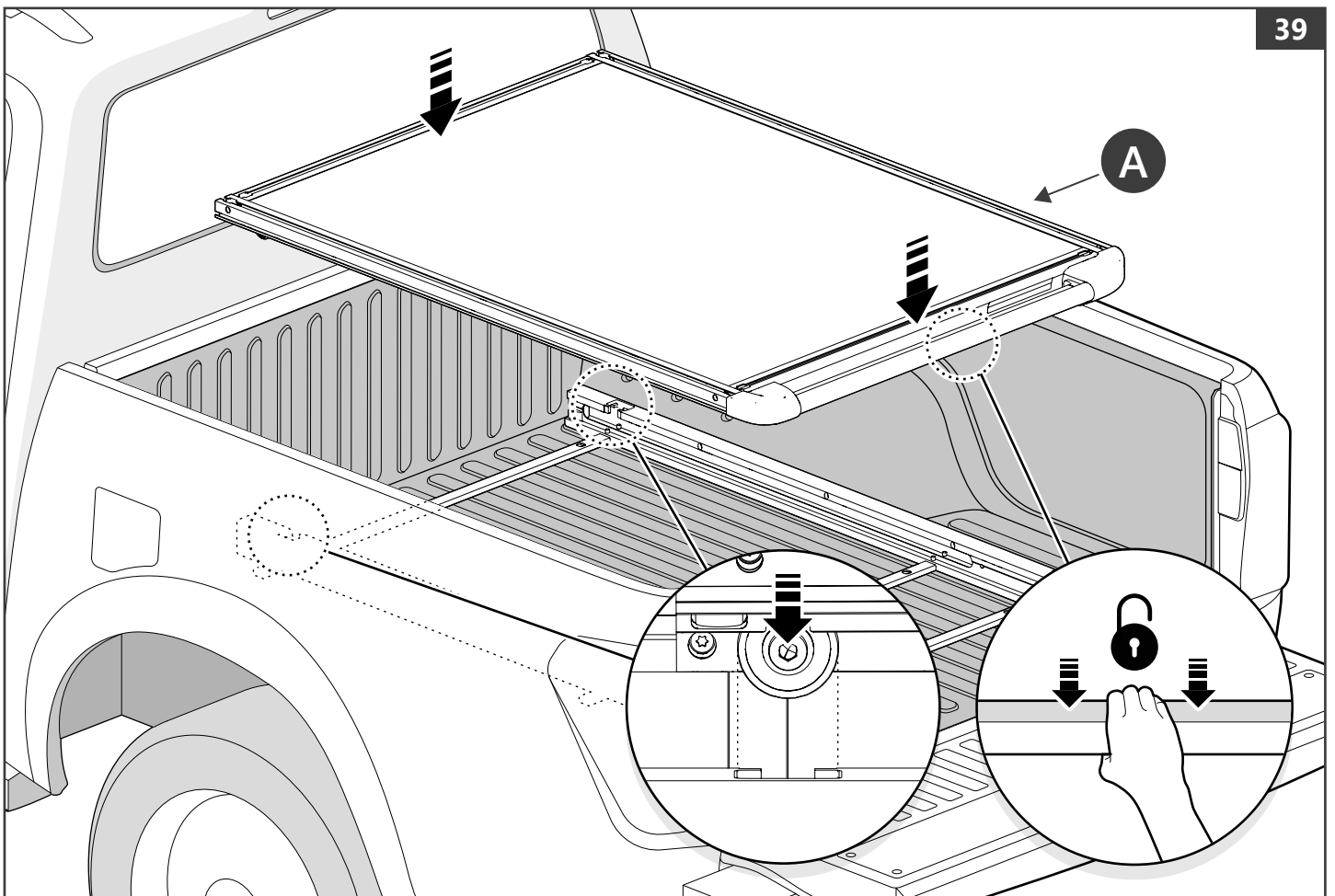
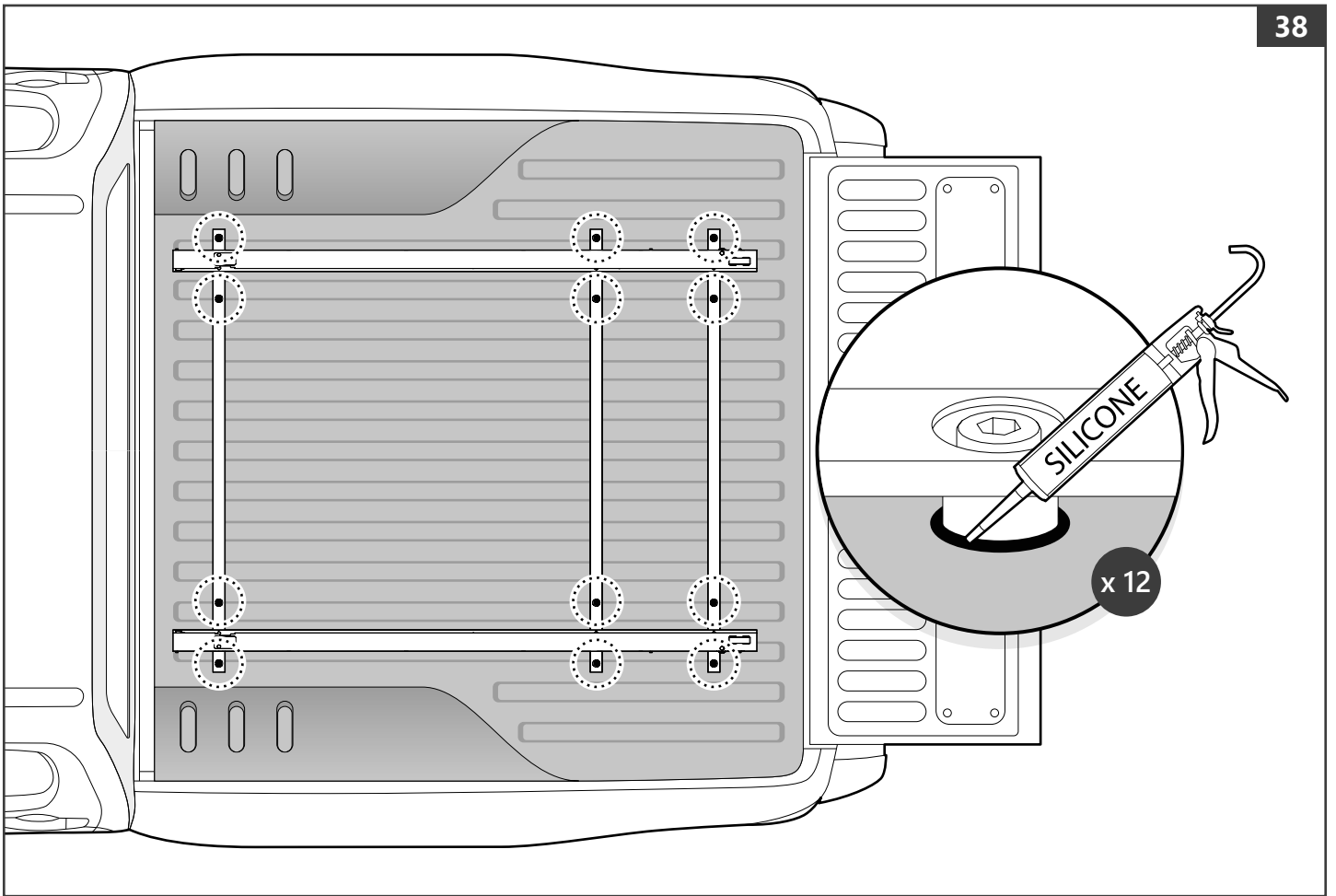


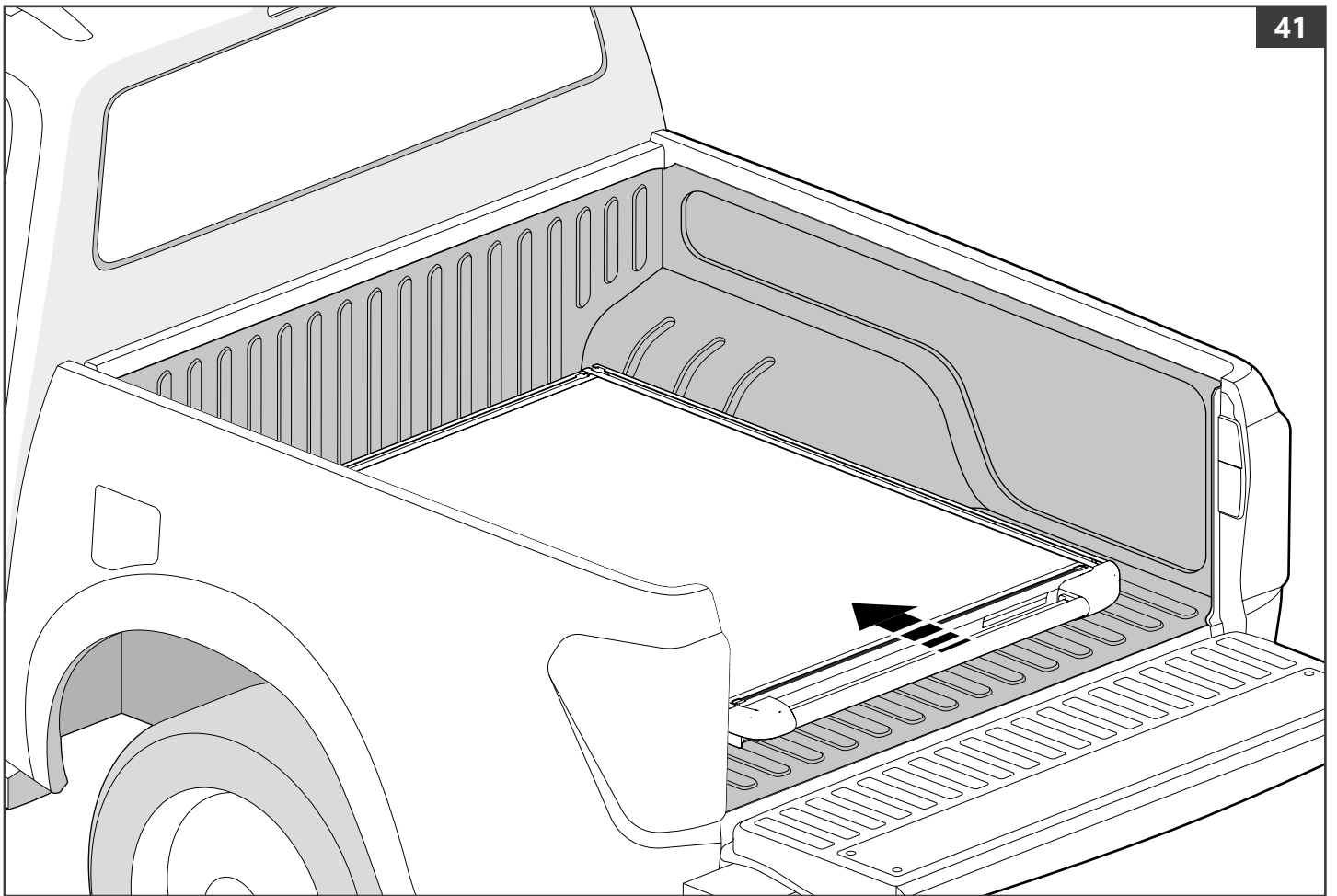
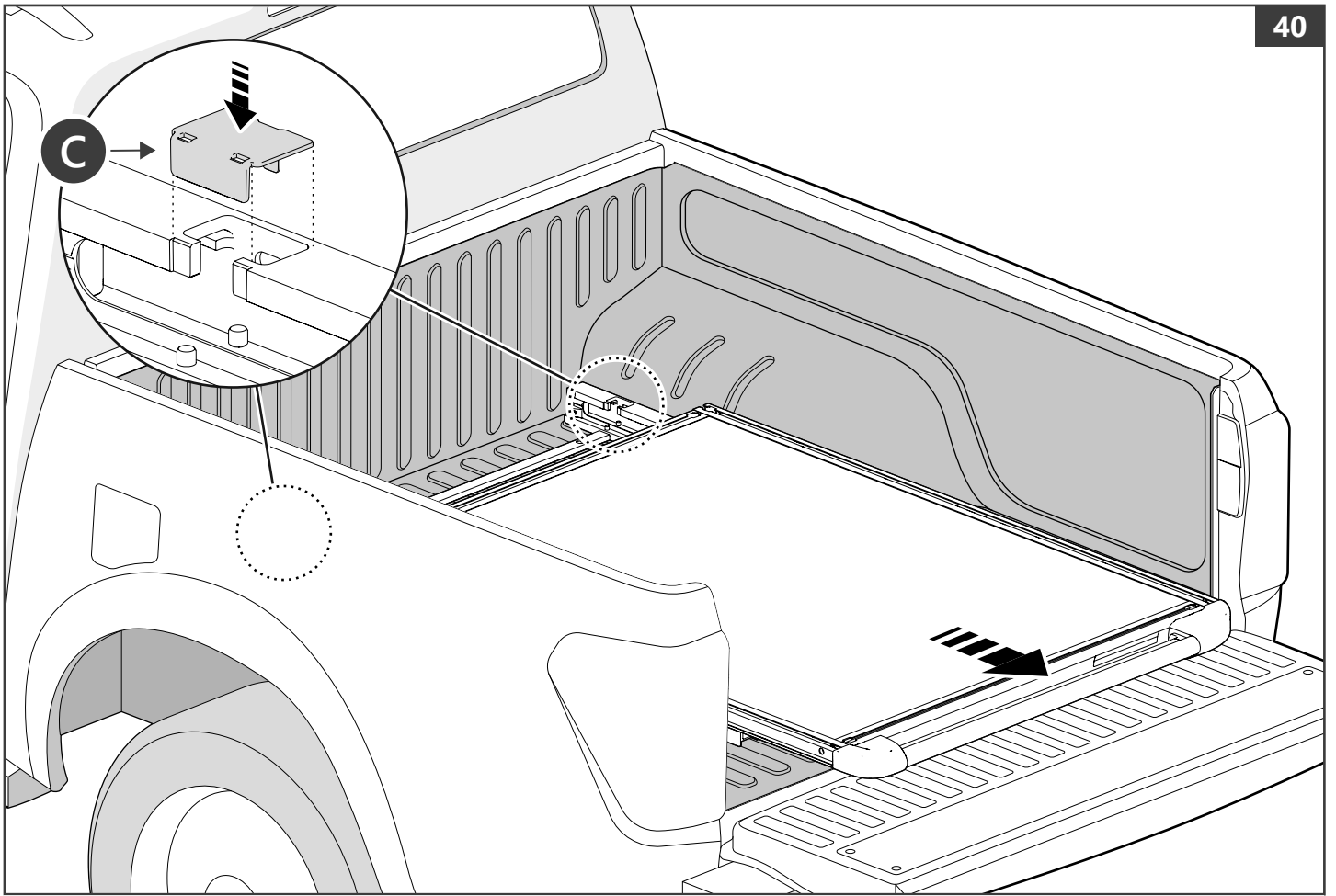






















Customer Service +45 4810 2950 (08:00 - 16:00 CET)  
Fax +45 4810 2960  
Support [info@mountaintop.dk](mailto:info@mountaintop.dk)  
Website [www.mountaintop.dk](http://www.mountaintop.dk)  
Address Pedersholmparken 10, 3660 Frederikssund, Denmark

PART NUMBER(S)	MODEL / YEAR	CAB TYPE(S)	INSTALLATION TIME	WEIGHT
MTS IS90	Isuzu / 2006 - 2011	Double	1 hour(s)	33 Kg
MTS MI90	Mitsubishi / 2015 →	Double	1 hour(s)	33 Kg
MTS MI91	Mitsubishi / 2015 →	Club	1 hour(s)	35 Kg

<b>GB</b> Installation manual	<b>S</b> Monteringsanvisning	<b>D</b> Einbauanleitung
<b>SF</b> Asennusohje	<b>E</b> Instrucciones de montaje	<b>CZ</b> Návod k instalaci
<b>F</b> Notice de montage	<b>H</b> Szerelési utasítás	<b>I</b> Istruzioni de montaggio
<b>PL</b> Instrukcja montażu	<b>P</b> Instruções de instalação	<b>GR</b> Οδηγίες Εγκατάστασης
<b>NL</b> Installatie-instructies	<b>RUS</b> Инструкция по установке	<b>DK</b> Monteringsvejledning
<b>TR</b> Montaj Talimatı	<b>N</b> Monteringsveiledning	<b>RO</b> Instructiuni de instalare