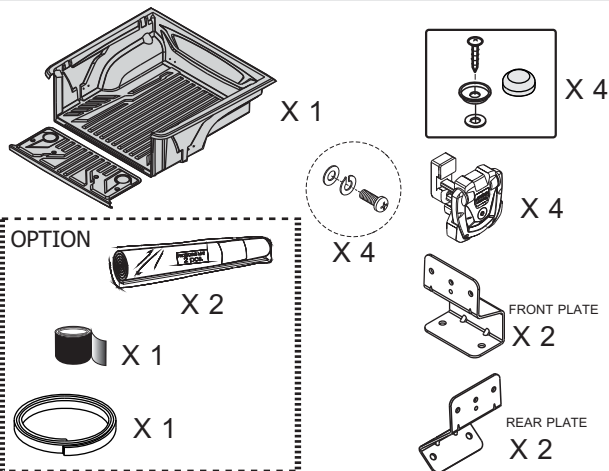


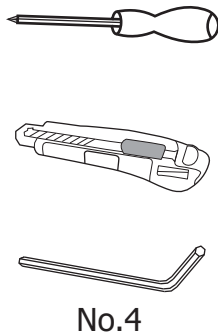
BED LINER INSTALLATION MANUAL

FOR D/C SP/C S/C

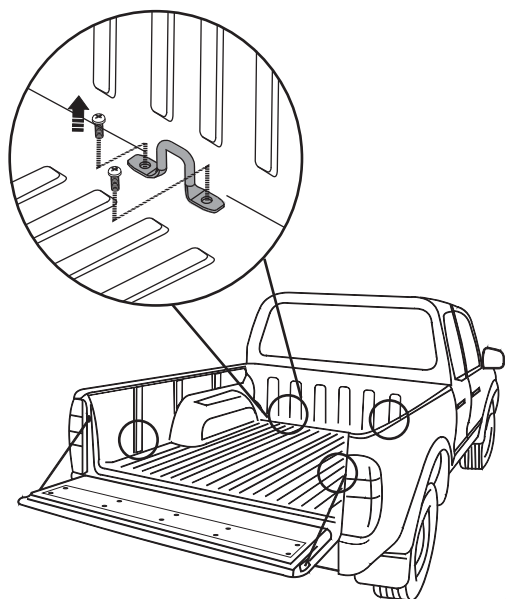
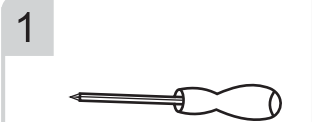
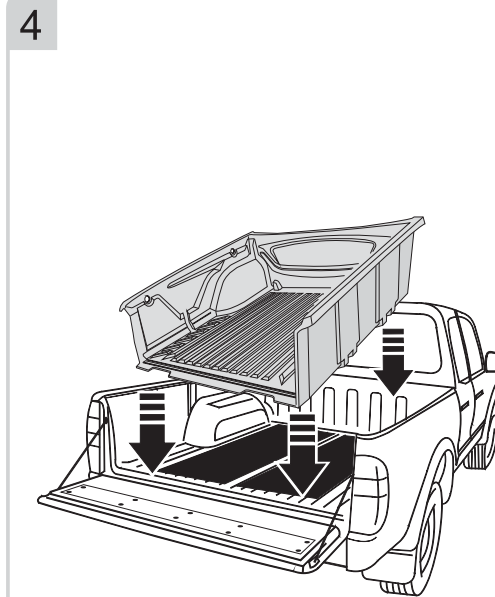
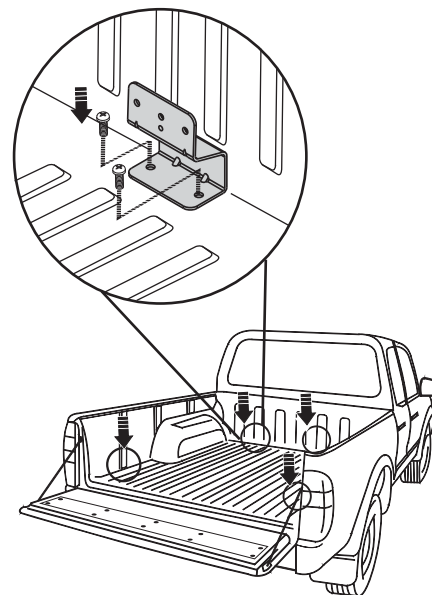
PART LISTS



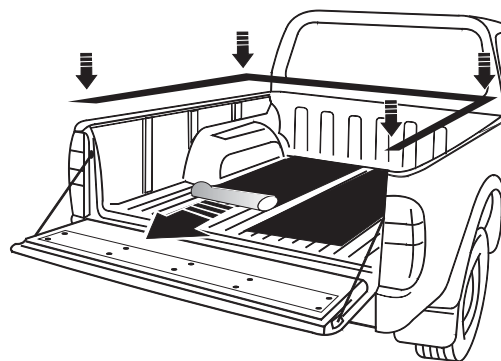
TOOLS



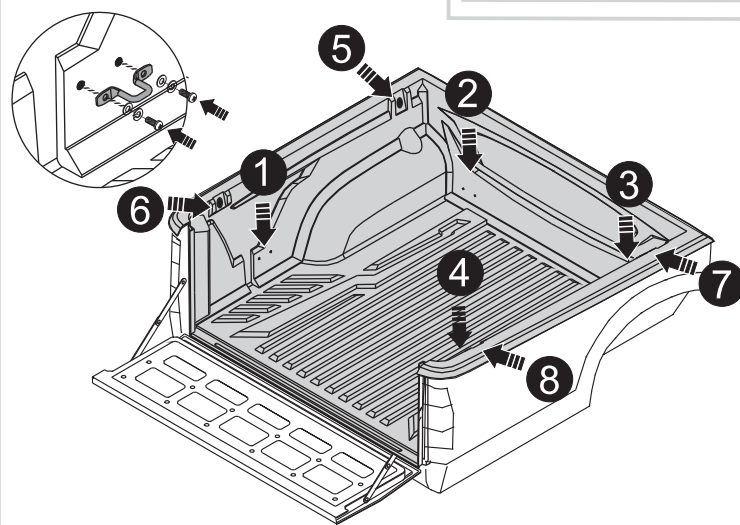
3 X 2 FRONT PLATE
 X 2 REAR PLATE



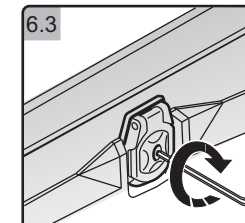
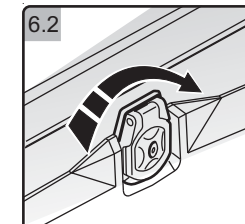
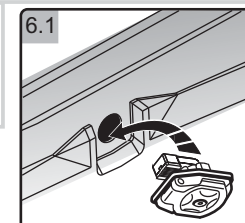
2 OPTION
 X 2
 X 1



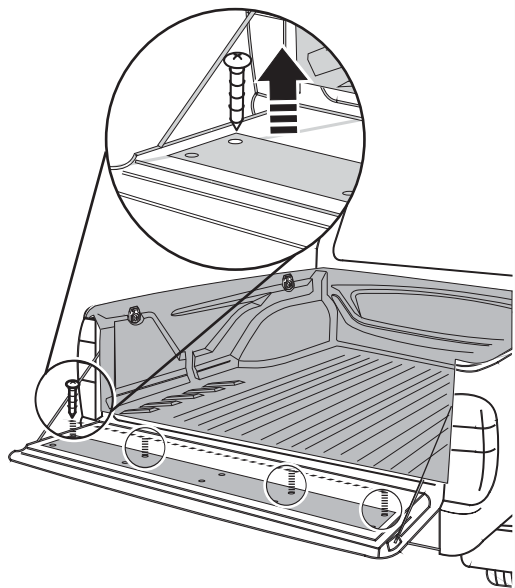
5
 X 4
 1 2 3 4



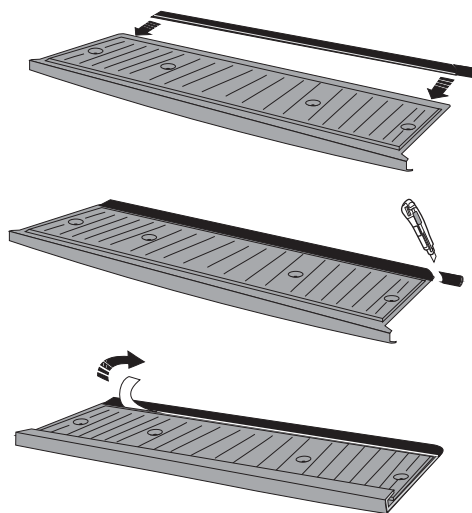
6
 X 4
 5 6
 7 8



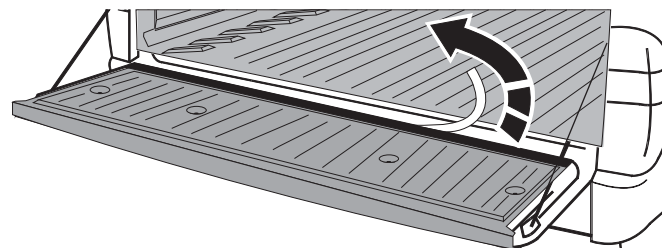
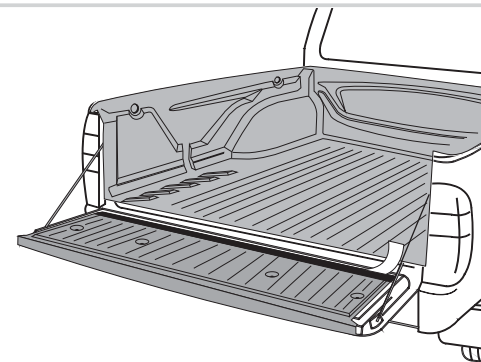
7



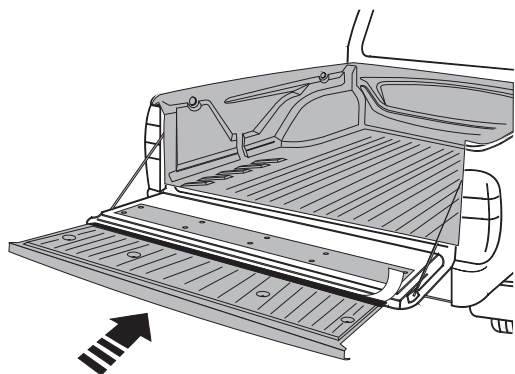
8



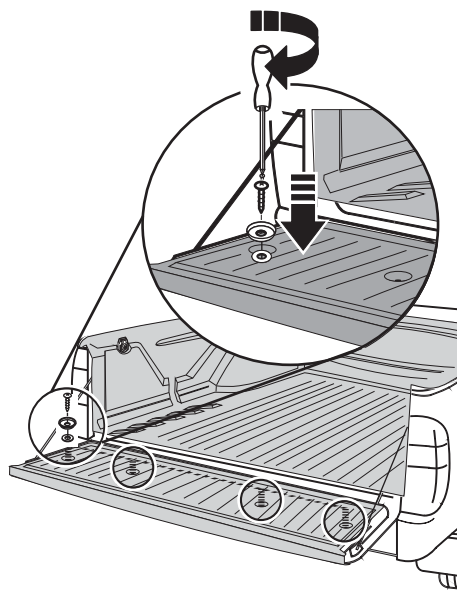
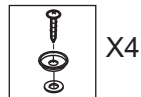
11



9



10



12

