

Aeroflex International Co., Ltd.
947/156 Moo 12 Bangna-Trad Rd. Bangna Prakanong Bangkok 10260 Thailand.
Tel. (+662) 744-3020 www.aeroklas.com

COMPONENT PART

ITEM	PART LIST	PART NAME	CAR MODEL	
			D/C	SP/C
1		Aeroklas Softcover	1	1
2		Bar Stay	2	4
3		Screw M4x0.7x7.5 mm.	10	14
4		Nut M4	10	14
5		Pan Head Screw	27	31
6		Liner Tape	2	4
7		Pan head screw M 4 x 0.7x8 mm.	2	4
8		Screw M 4	4	8
9		Spring Screw M 4	4	8
10		Aluminium (adjustable)	1	2

11	SNAP CLIP	BED LINER TYPE	CAR MODEL	
			D/C	SP/C
11.1	A (YELLOW)	Use for tail gate 17 mm.	3	3
11.2	B (BLACK)	Use for rail lip 33 mm.	24	28
11.3	C (BLUE)	Use for rail lip 38 mm.	27	31
11.4	A (YELLOW)	Use for Tail gate	4	4
11.4	B (BLACK)	Use for rail lip 33 mm.	23	27

- For MITSUBISHI TRITON

12	RUBBER SEAL	CAR BRANDS	CAR MODEL	
			D/C	SP/C
12.1	Rubber seal type A (Length 1540 mm.)	ALL CAR BRAND (EXCEPT NISSAN NAVARA)	1	1
12.2	Rubber seal type B (Length 1590 mm.)	ONLY NISSAN NAVARA	1	1

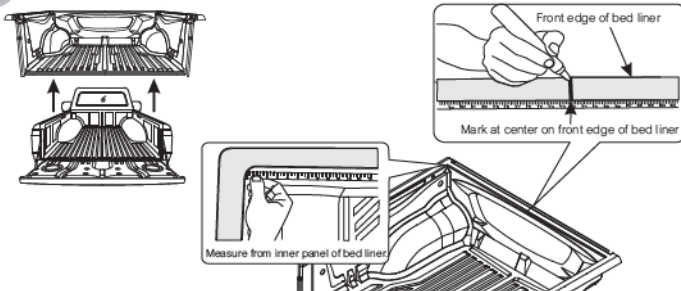
13	SUPPORT BAR	CAR BRANDS	CAR MODEL	
			D/C	SP/C
13.1	Straight Type	ALL CAR BRAND (EXCEPT ISUZU D-MAX)	2	4
13.2	Bend Type	ONLY ISUZU D-MAX	2	4

14	ALUMINIUM PROFILE	CAR BRANDS	CAR MODEL			
			D/C	R	L	SP/C
14.1	Type (A) R/L	ALL CAR BRAND (EXCEPT NISSAN NAVARA)	1	1	1	1
14.2	Type (B) R/L	ONLY NISSAN NAVARA	1	1	1	1

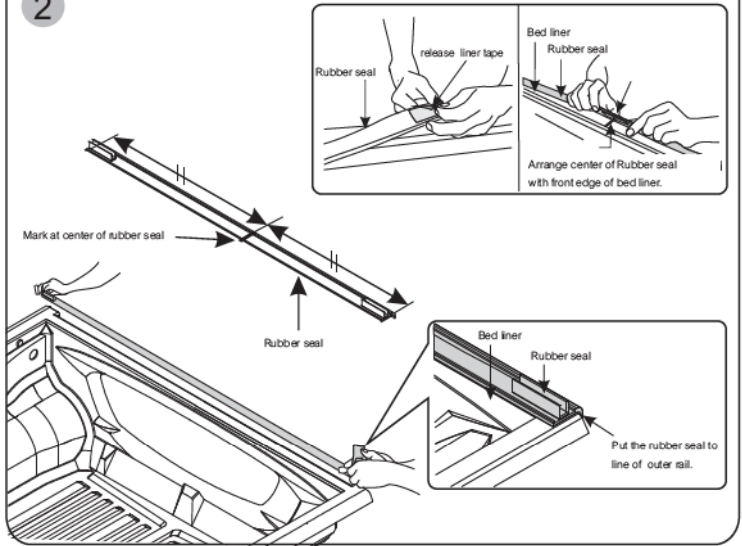
TOOLS

1. Drill
2. Drill bit $\phi 5.5$ mm.
3. Phillips screw driver
4. Plat screw driver
5. Hexagonal L- wrench #3,#4
6. Measuring tape
7. Marker

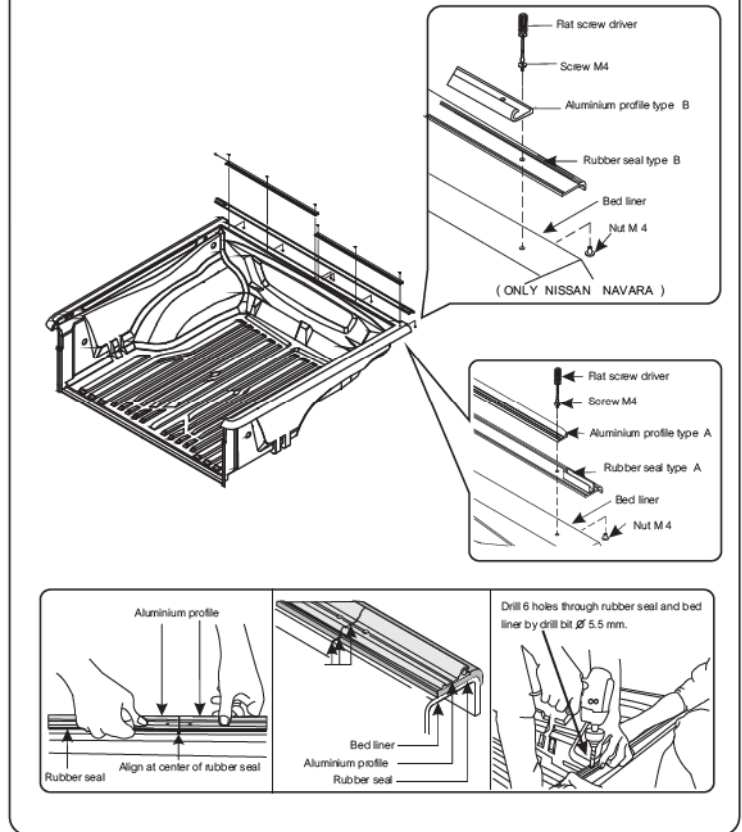
1 Remove bed liner and tailgate liner from the truck bed.



2



3



4

