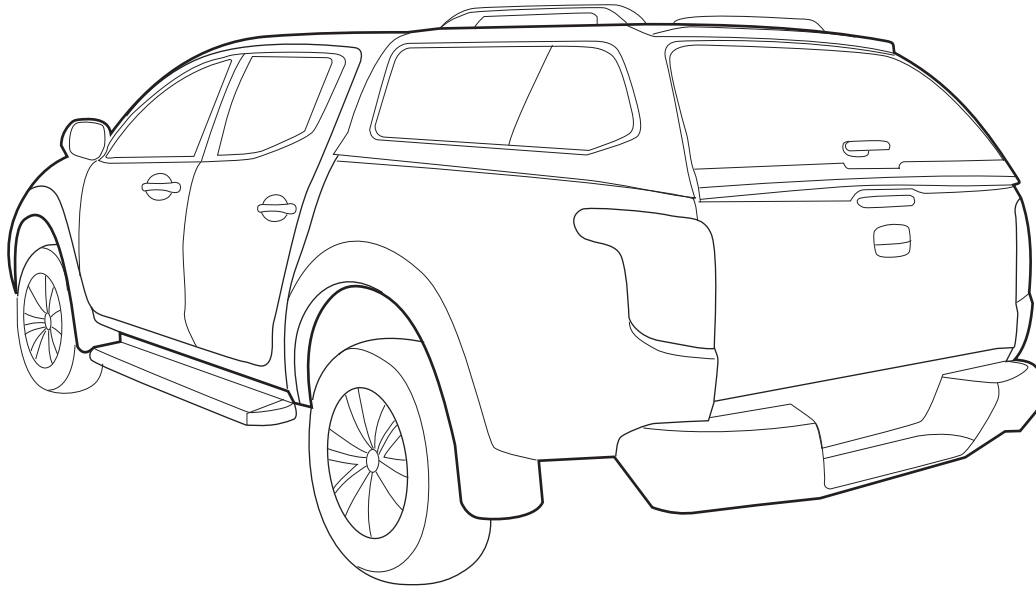
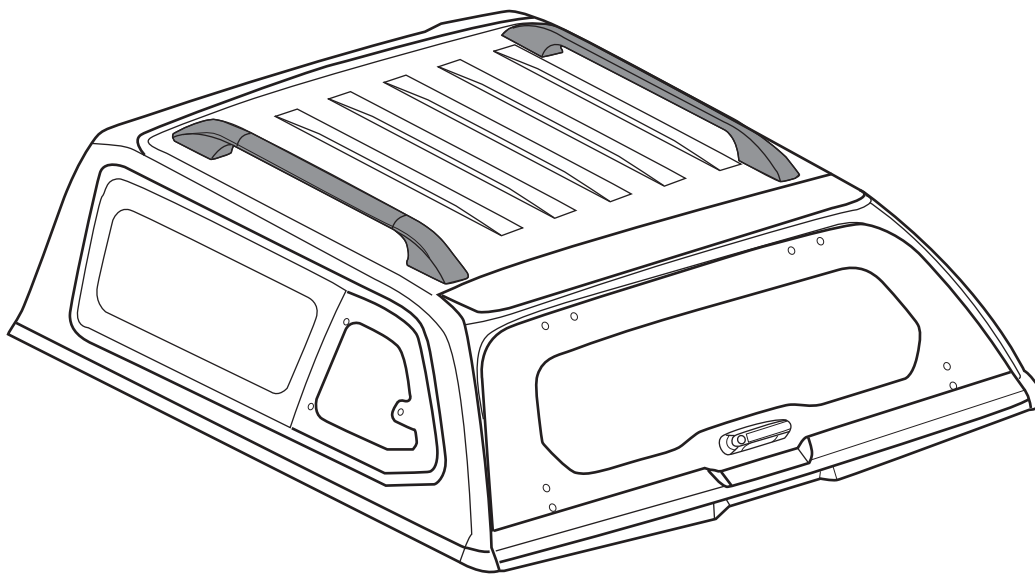


AEROKLAS

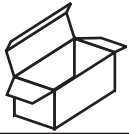
INSTALLATION MANUAL TRITON SU ROOF RAIL



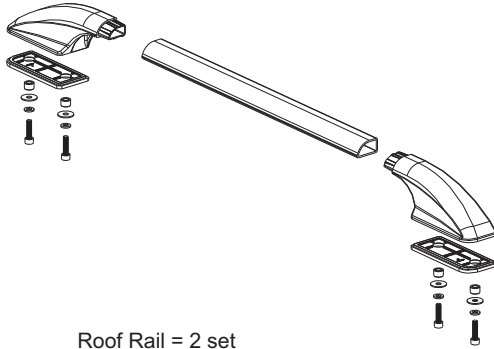
Installation time : 30 mins. For Roof Rail



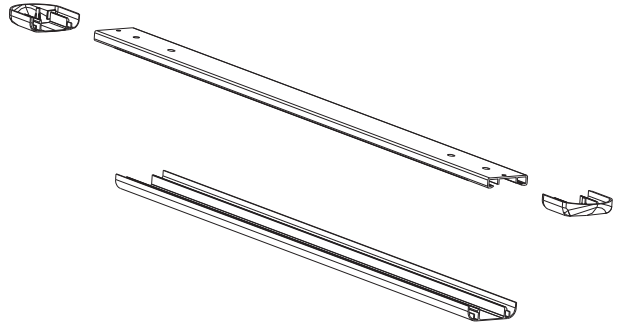
COPY



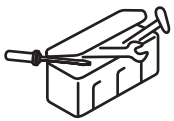
COMPONENT PART



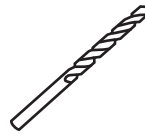
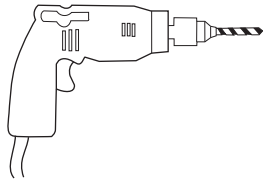
Roof Rail = 2 set



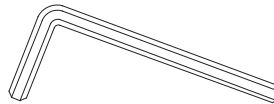
Structure Bar = 2 set



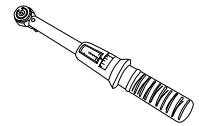
TOOLS



Drill \varnothing 15 mm.

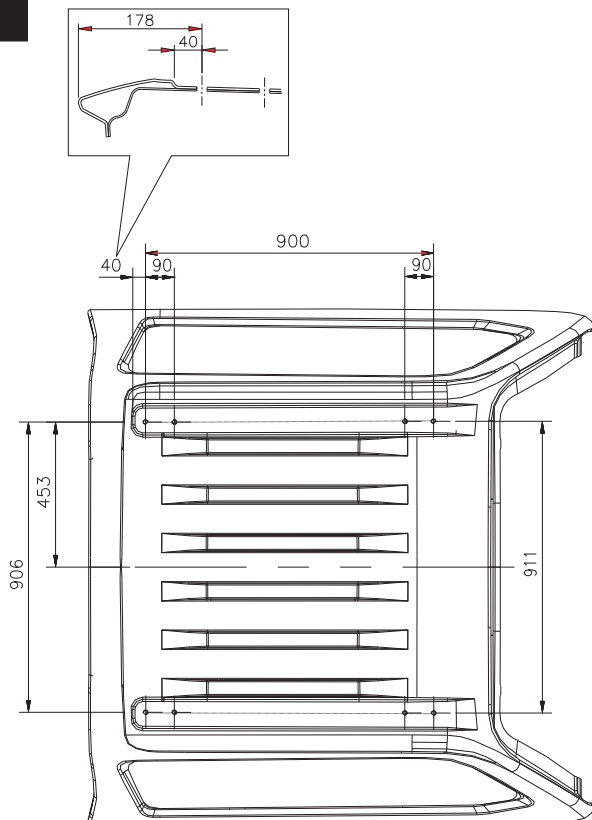


No.6 mm.

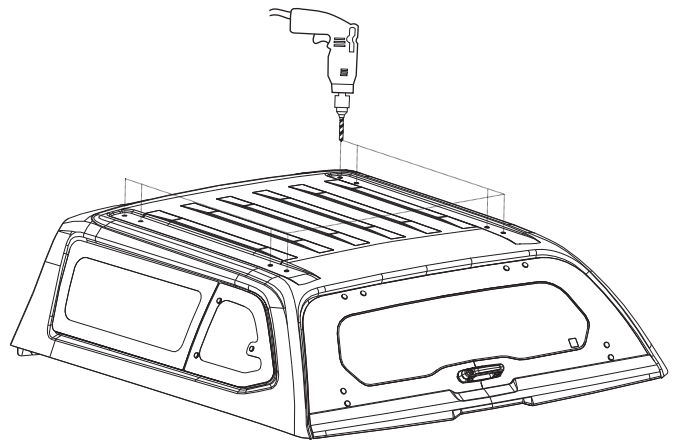


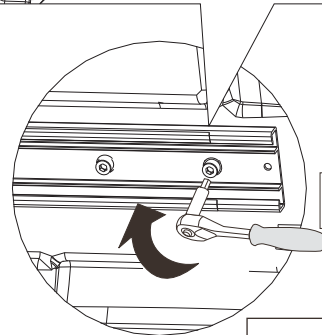
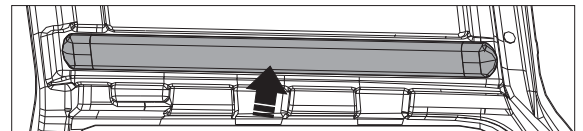
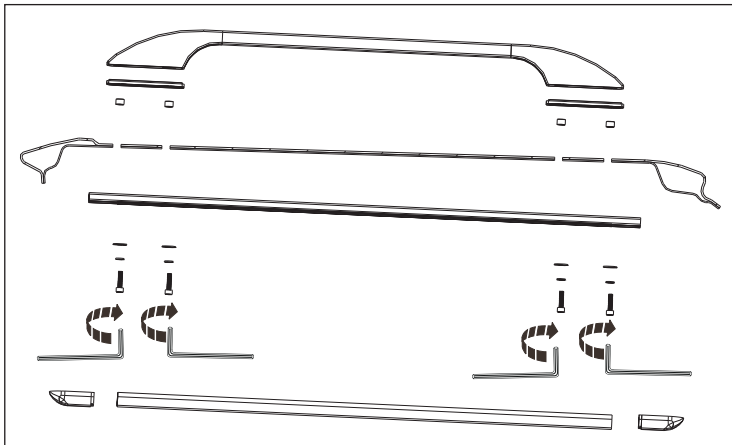
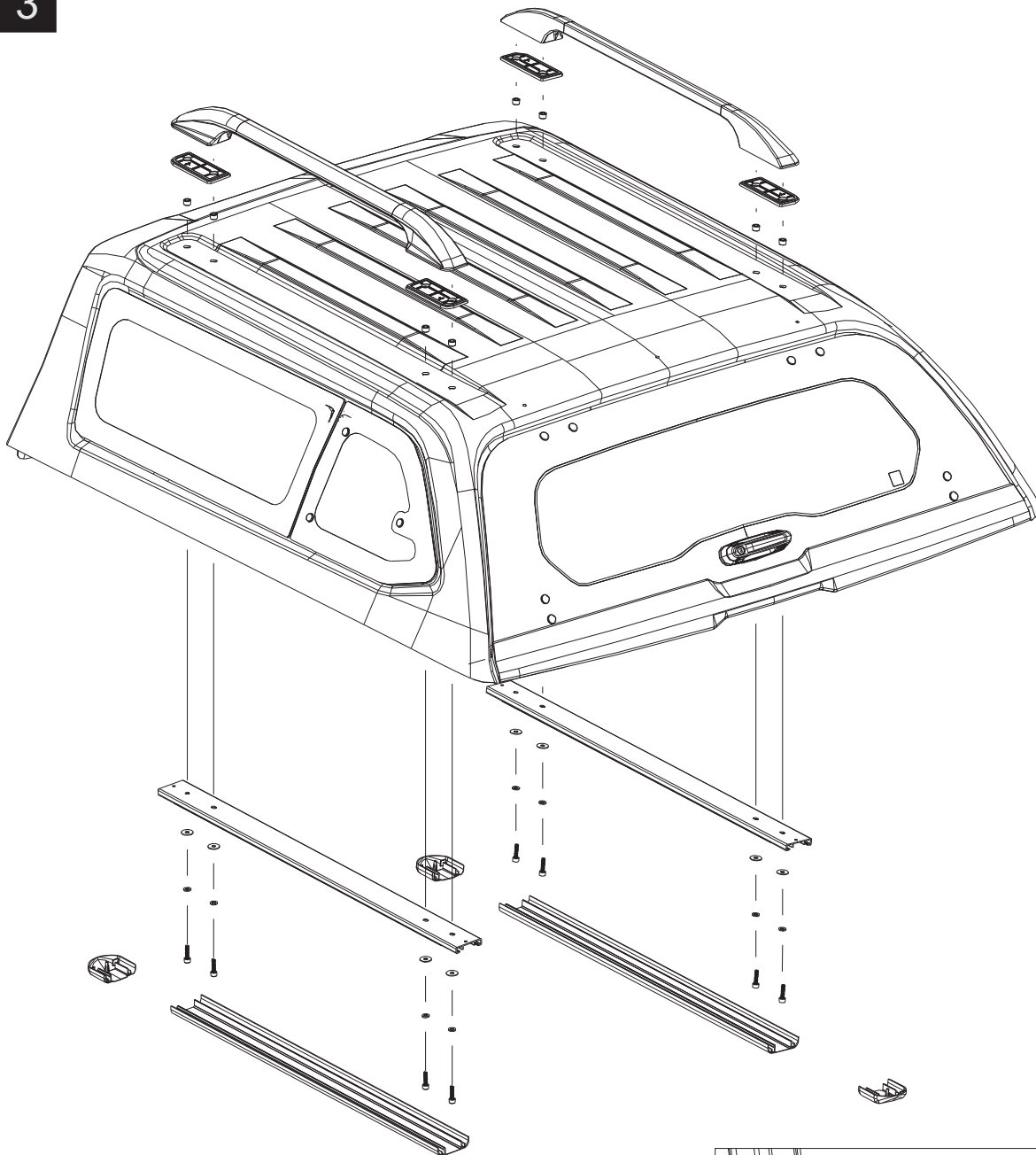
Torque Wrench

1



2





Torque 12 Nm.

