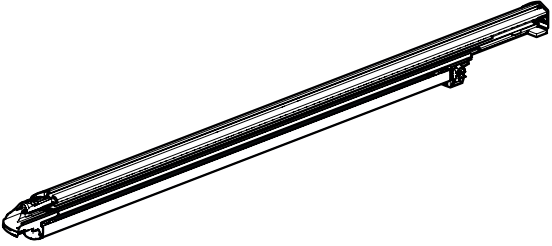
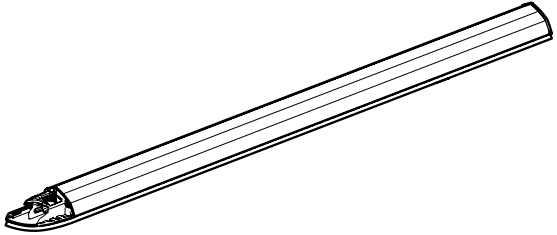
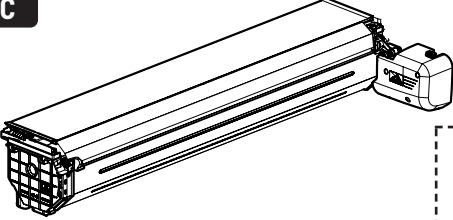
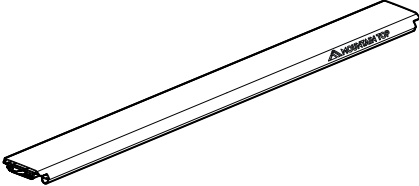




MOUNTAIN TOP[®] EVOe

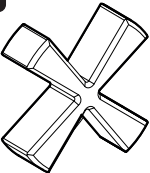


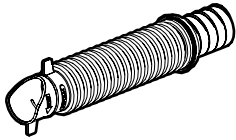

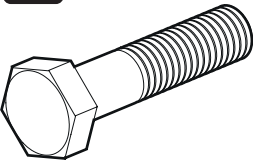
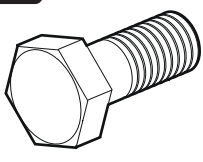
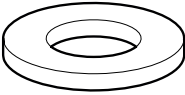
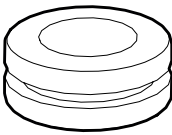
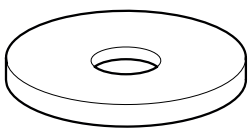
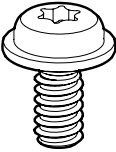
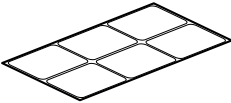
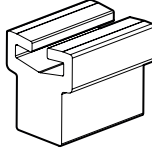
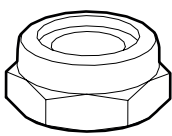

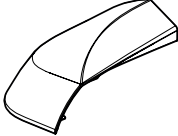

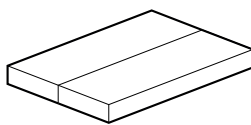
Installation manual



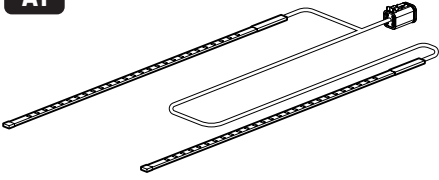
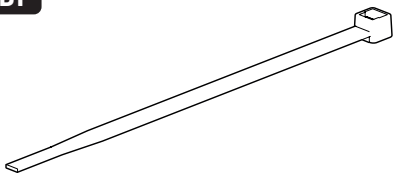
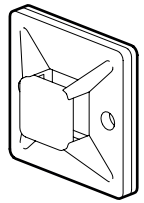
Parts

A		x1	B		x1
C		x1	D		x1
	<div data-bbox="576 584 794 723" style="border: 1px dashed black; padding: 5px;"> <div data-bbox="592 611 622 645">Z</div> <div data-bbox="603 645 730 723"></div> <div data-bbox="743 696 778 723">x2</div> </div>		<div data-bbox="1294 584 1513 723" style="border: 1px dashed black; padding: 5px;"> <div data-bbox="1305 611 1335 645">Y1</div> <div data-bbox="1310 645 1469 707"></div> <div data-bbox="1469 696 1505 723">x1</div> </div>		

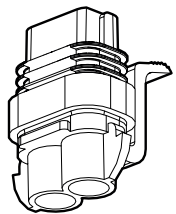

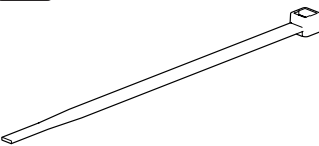
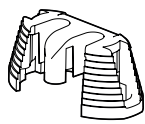
Kit

E		x2	F		x6	G		x6	H		x2	I		x1
J		x6	K		x6	L		x6	M		x1	N		x12
O		x5	P		x1	R		x1	S		x6	T		x2
U		x1	V		x1	Y		x1						

Kit

A1	B1	C1
		
x1	x6	x6

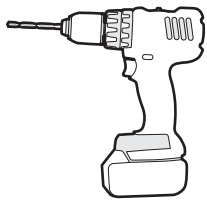

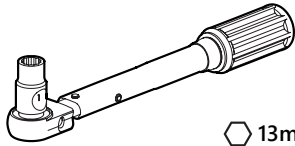
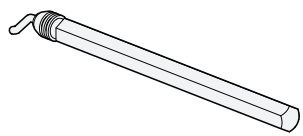
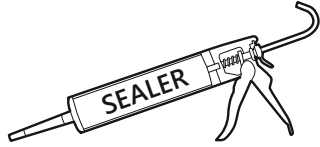
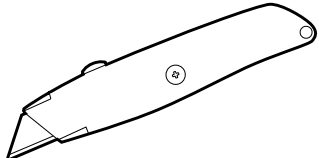
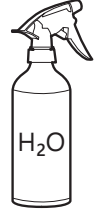
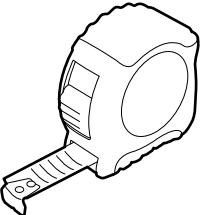
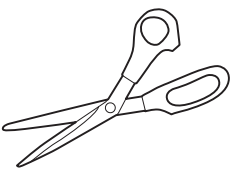
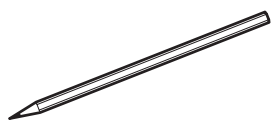

Power supply kit

D1	E1	F1	G1
			
x1	x1	x10	x1

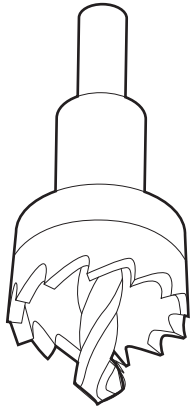
Kit

		
Manual	TÜV	Owners Manual
x1	x1	x1

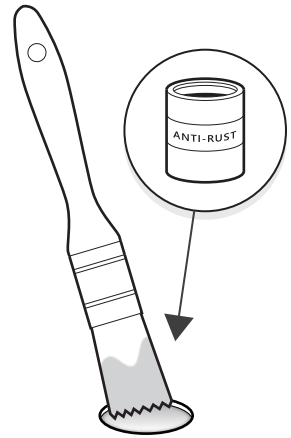
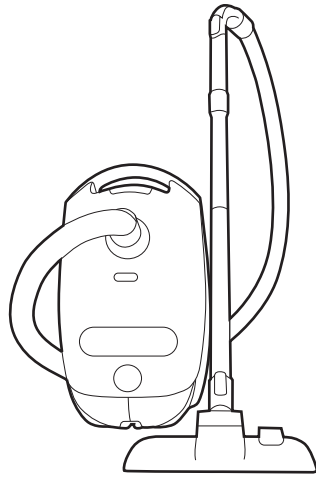
Tools needed

	1 - 25 Nm	
Ø3.5MM		<p>Rust protection Rostschutzmittel Anti-rouille Anti roest</p>
		
	H ₂ O	
		

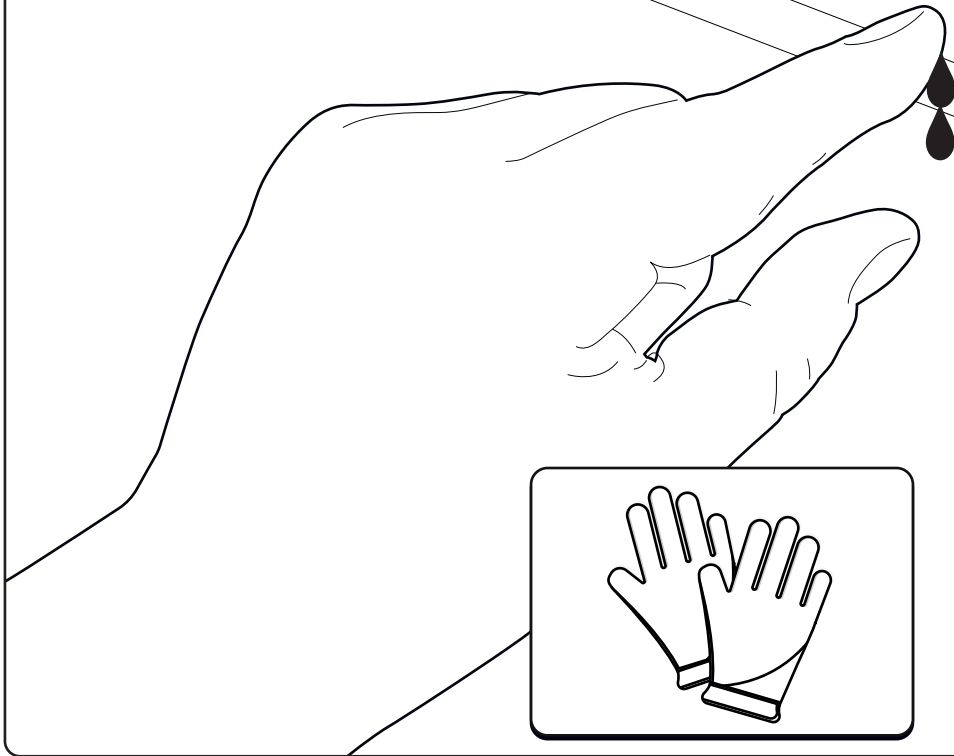
Applying rust protection

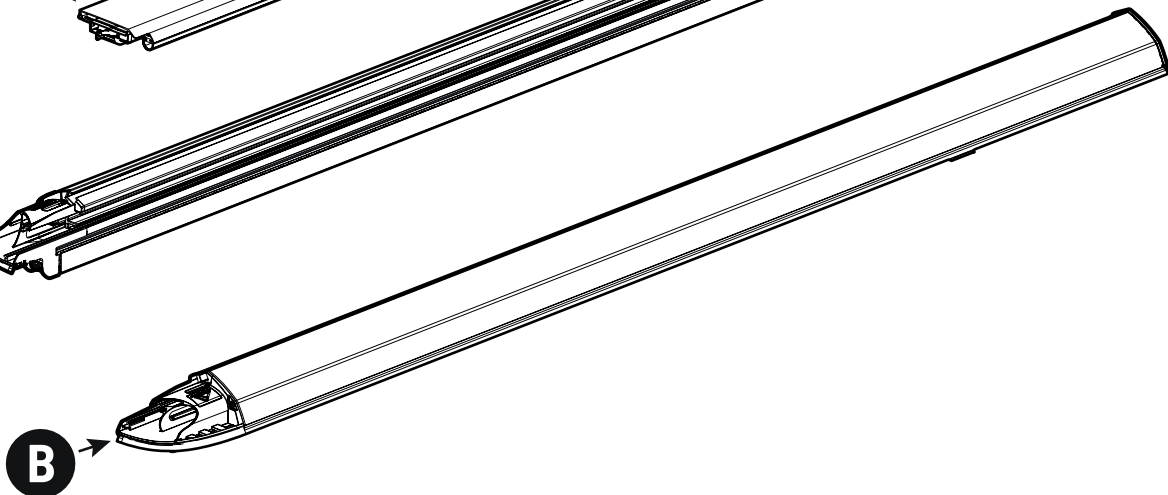
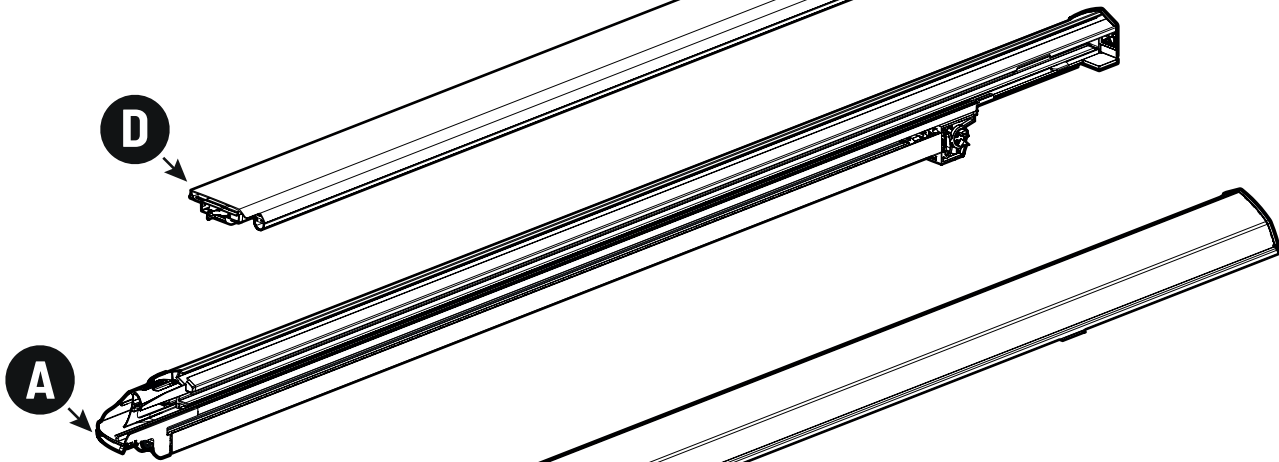
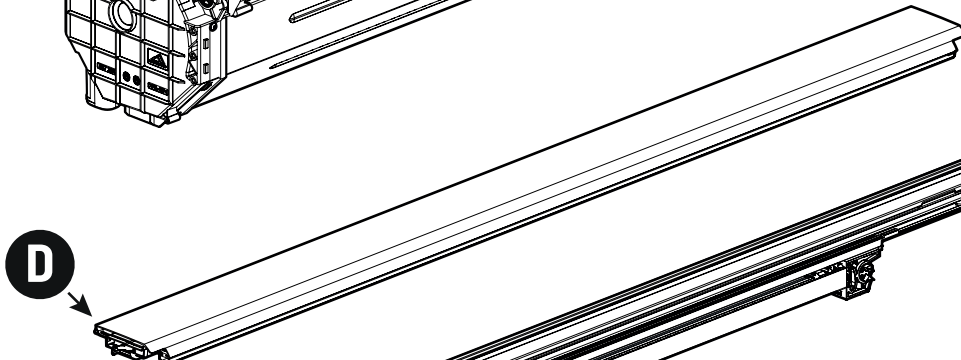
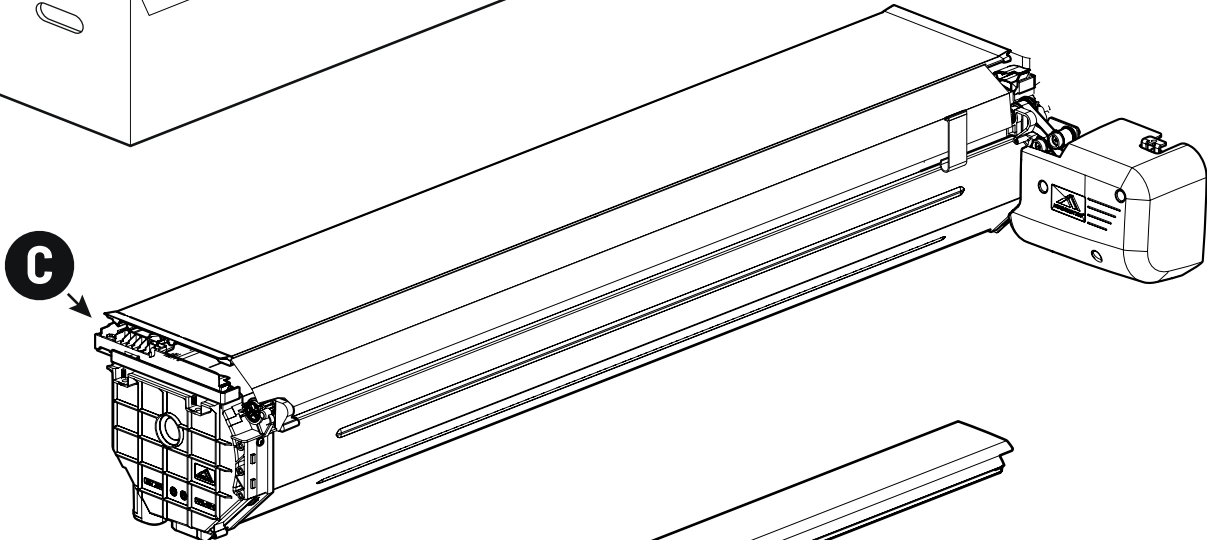
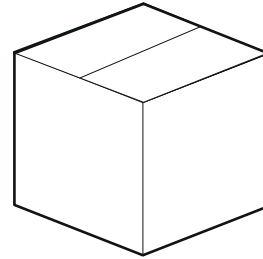
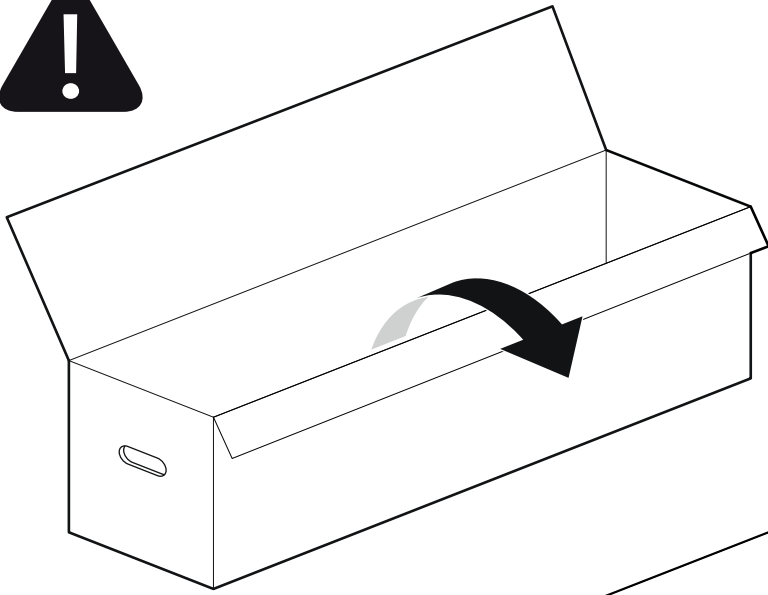


Ø40 + Ø18 MM



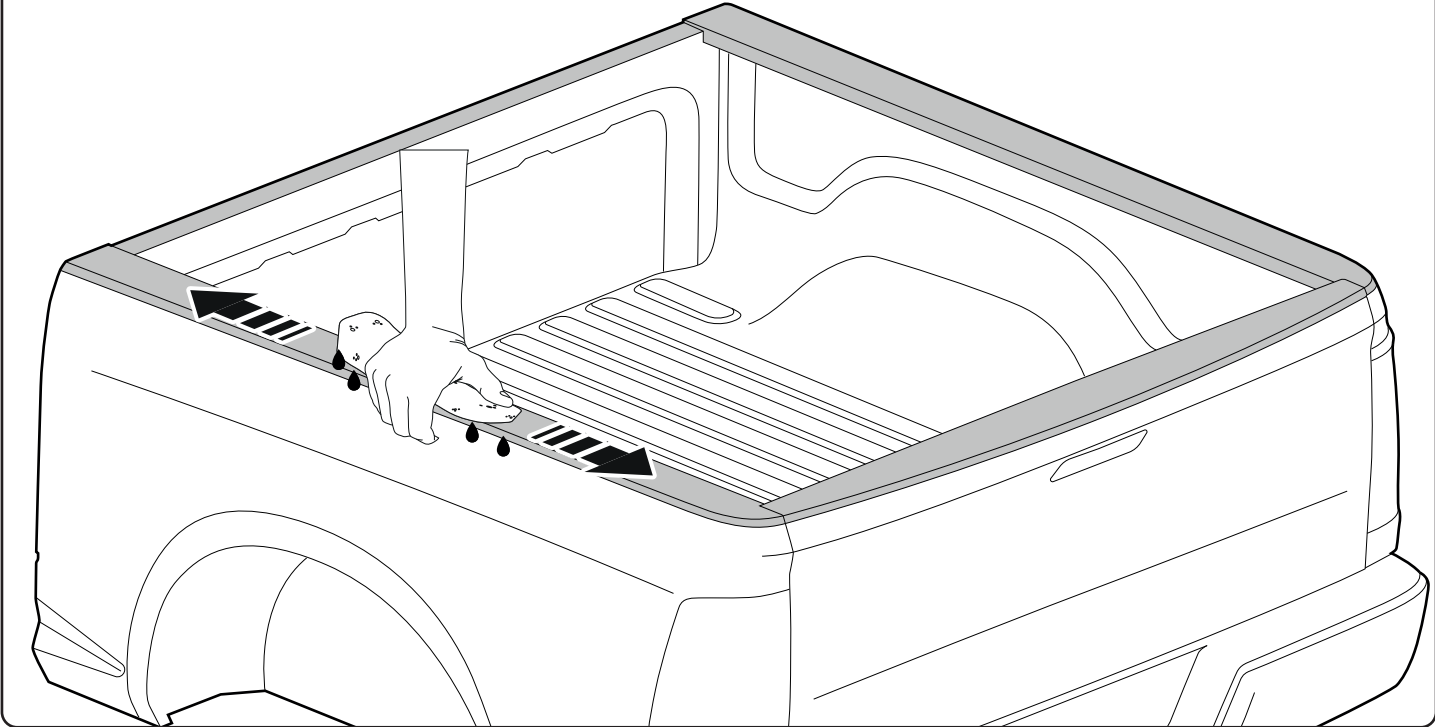
Sharp edge



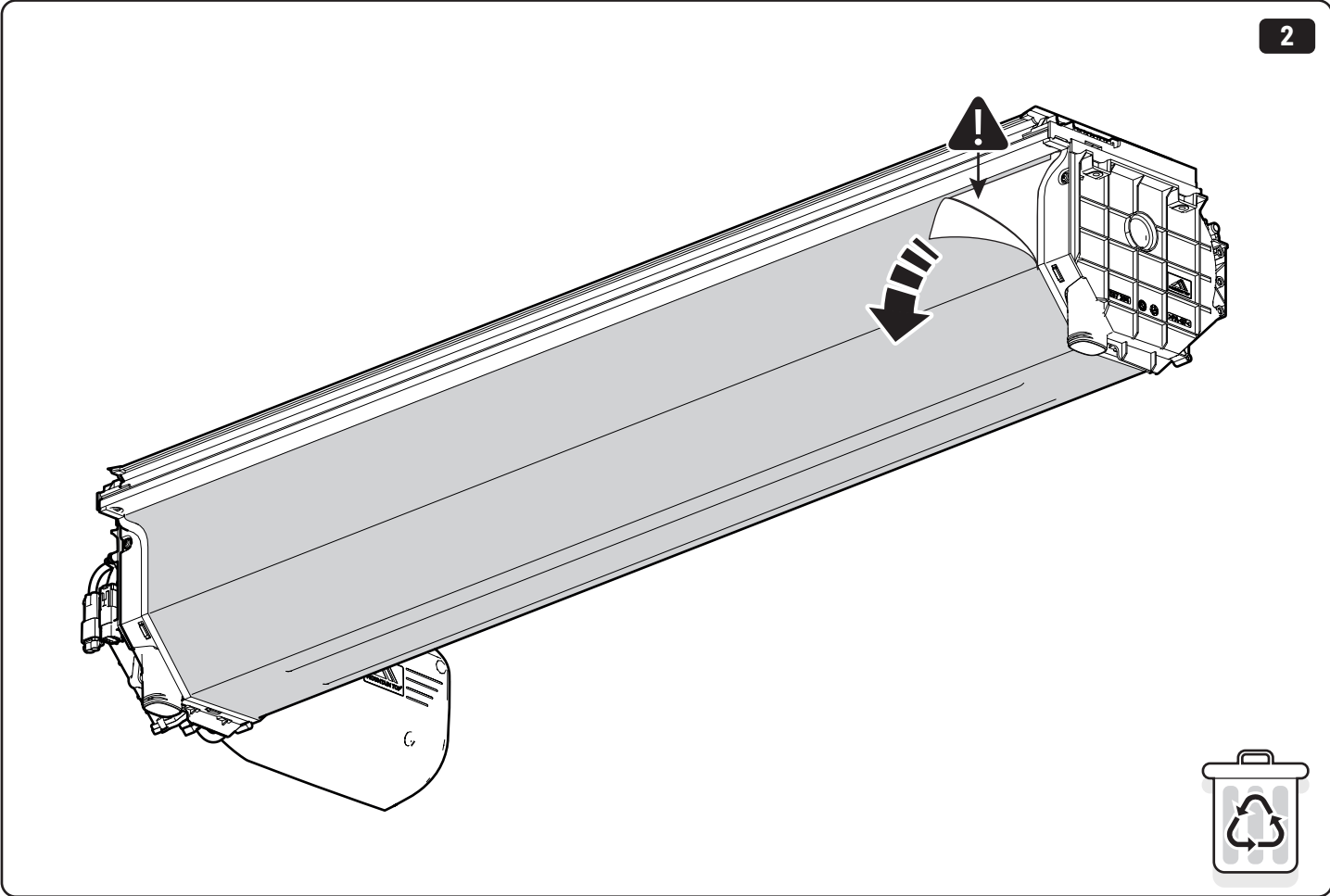


 **Water & sponge**

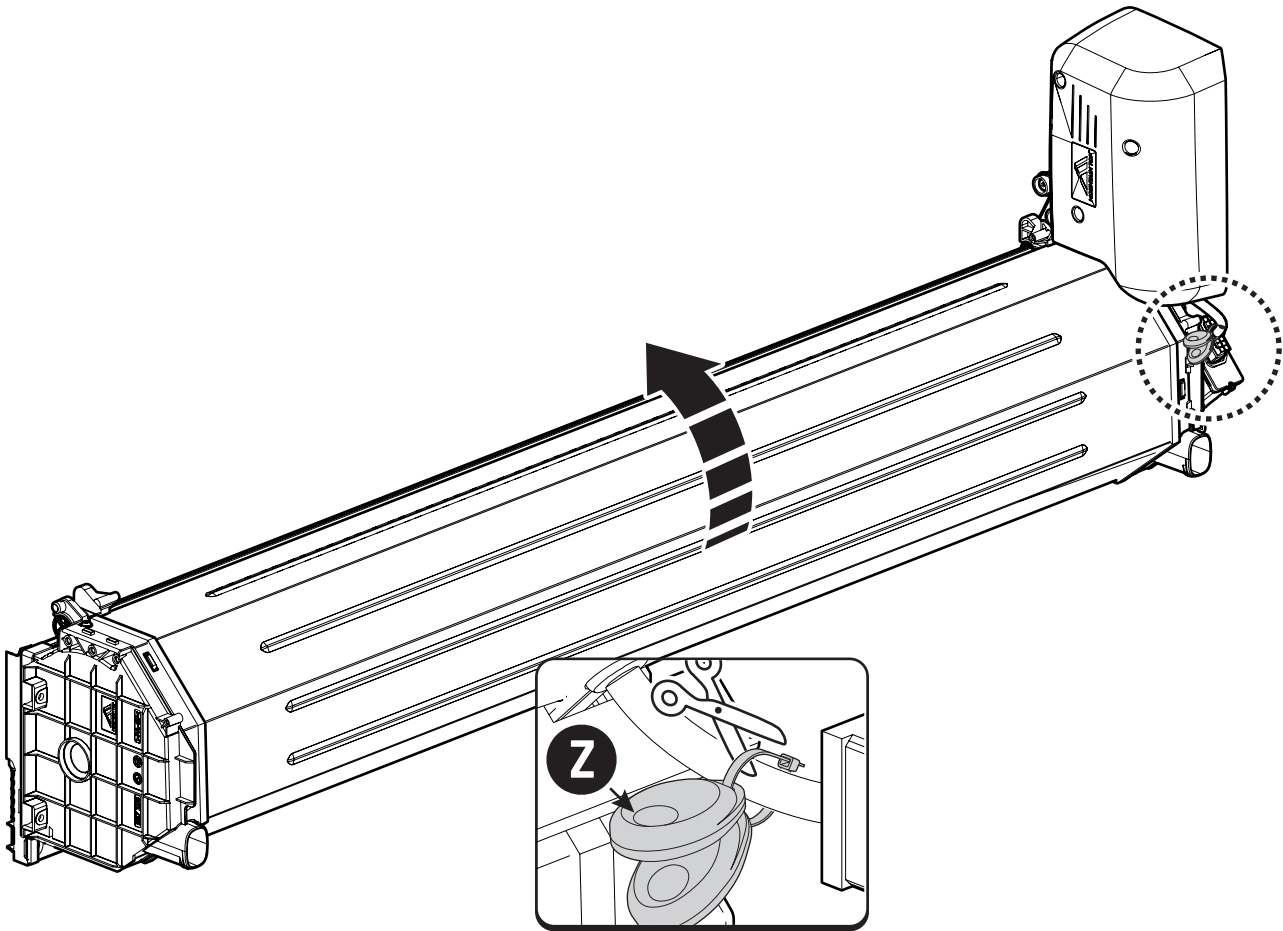
1



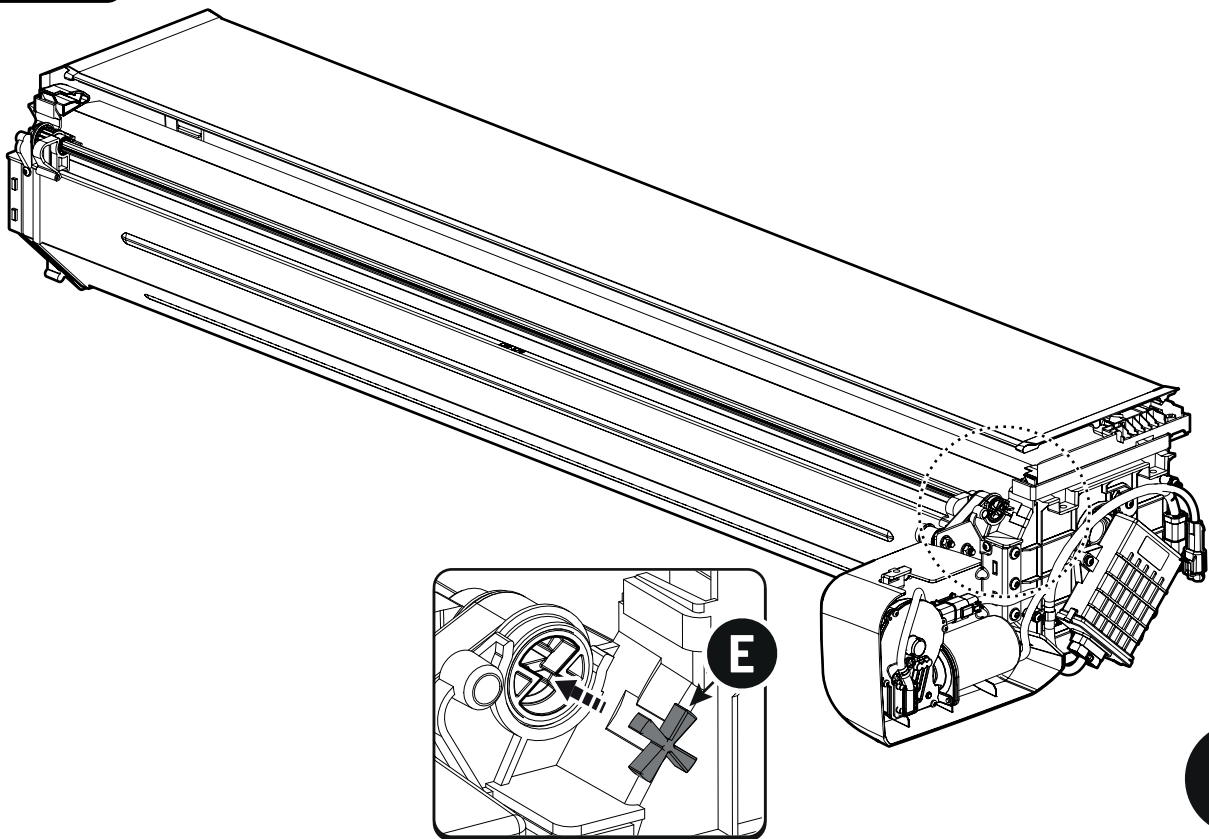
2

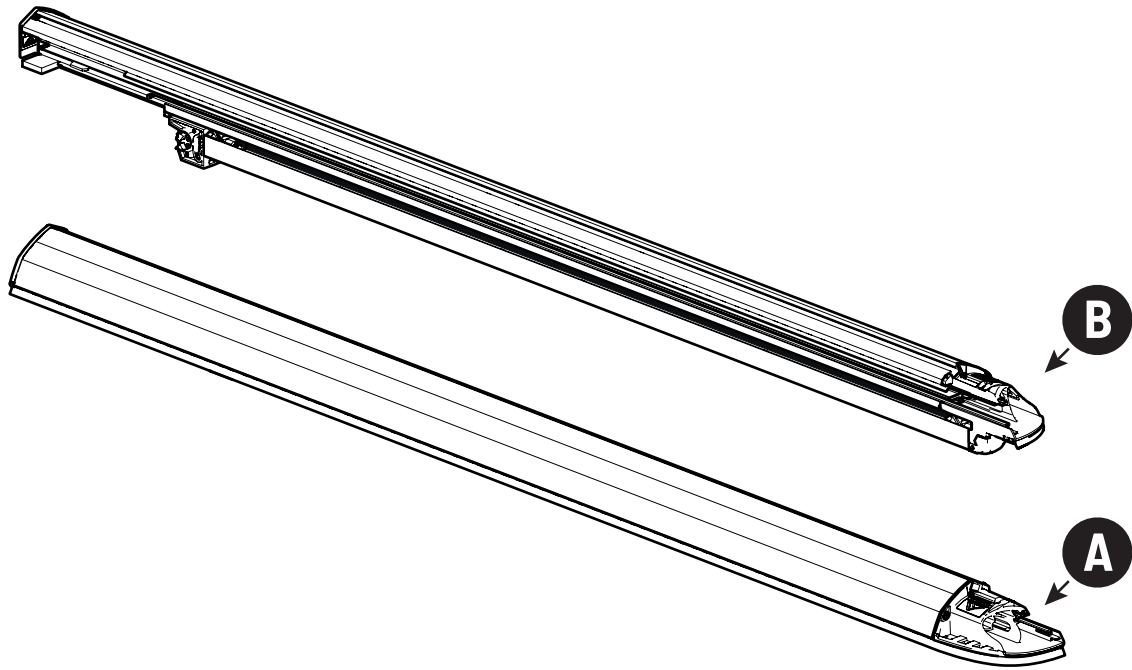


3



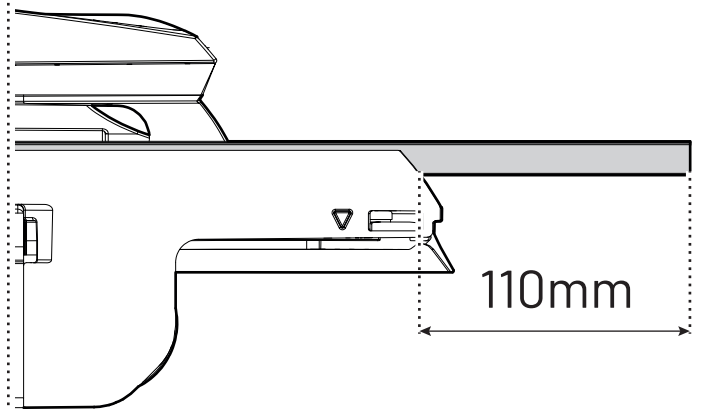
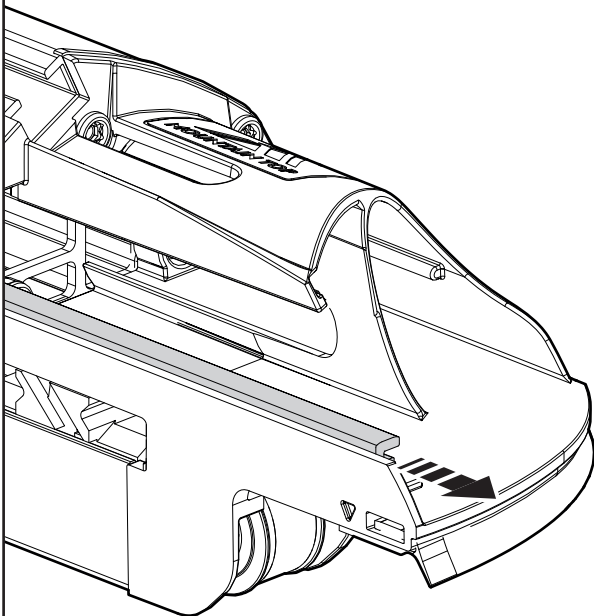
4

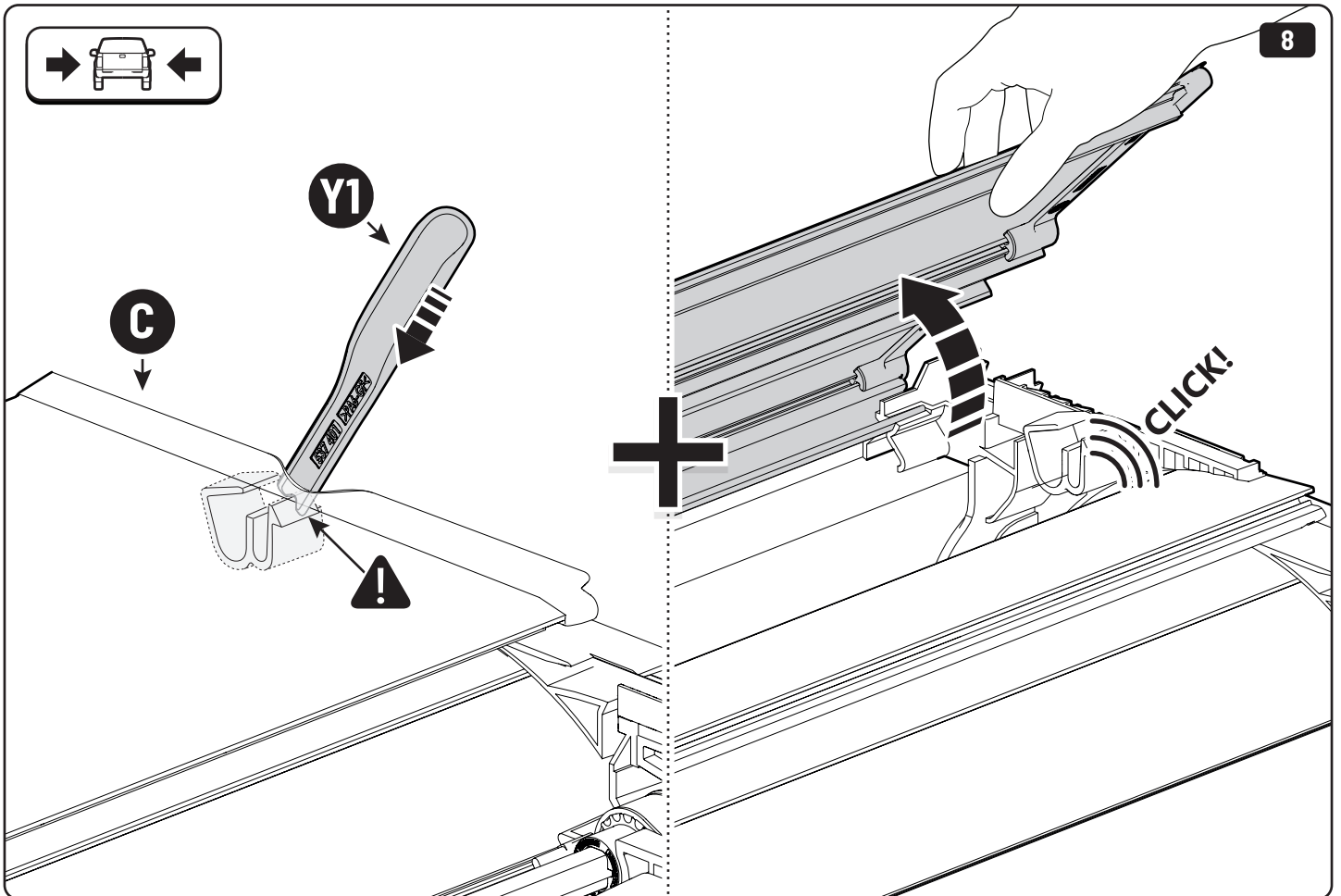
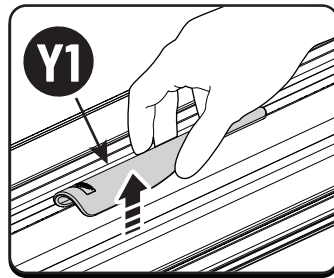
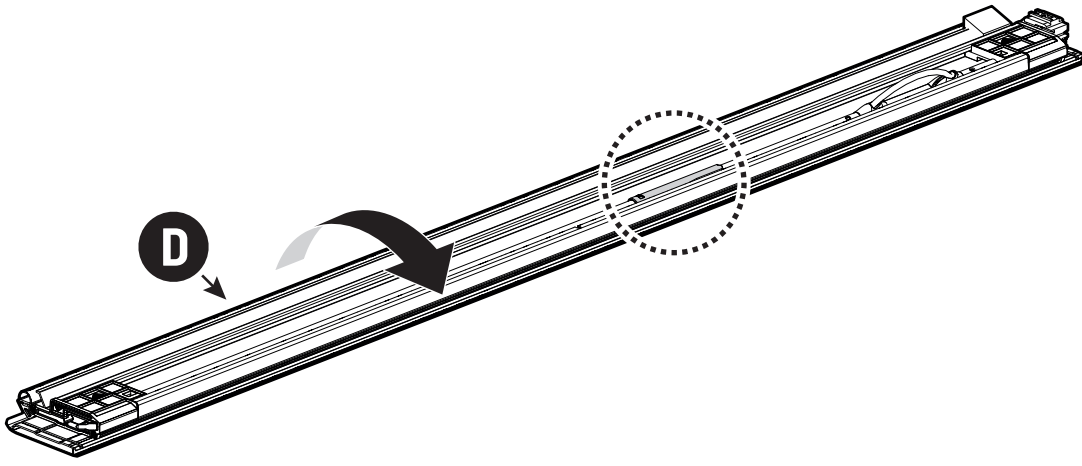


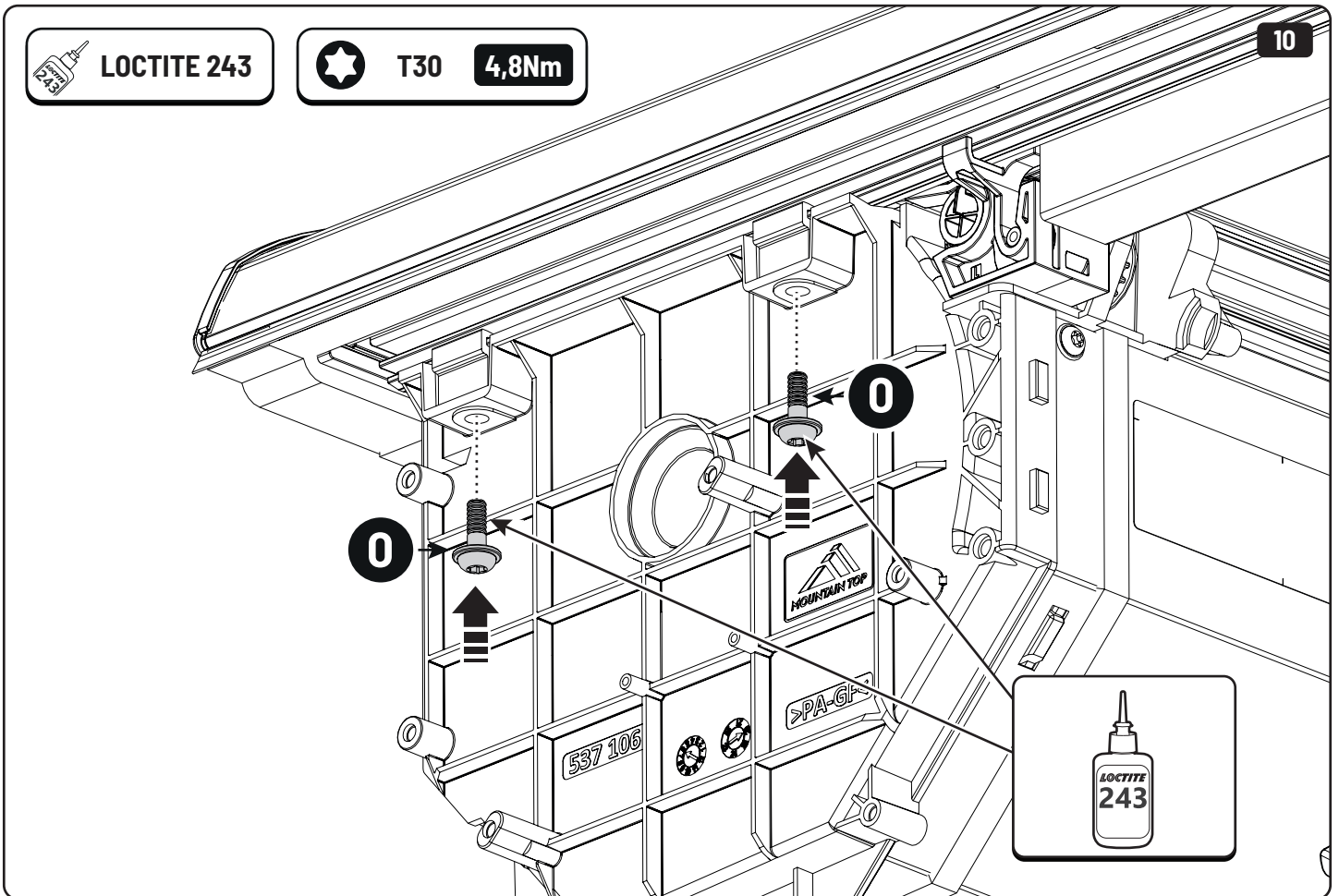
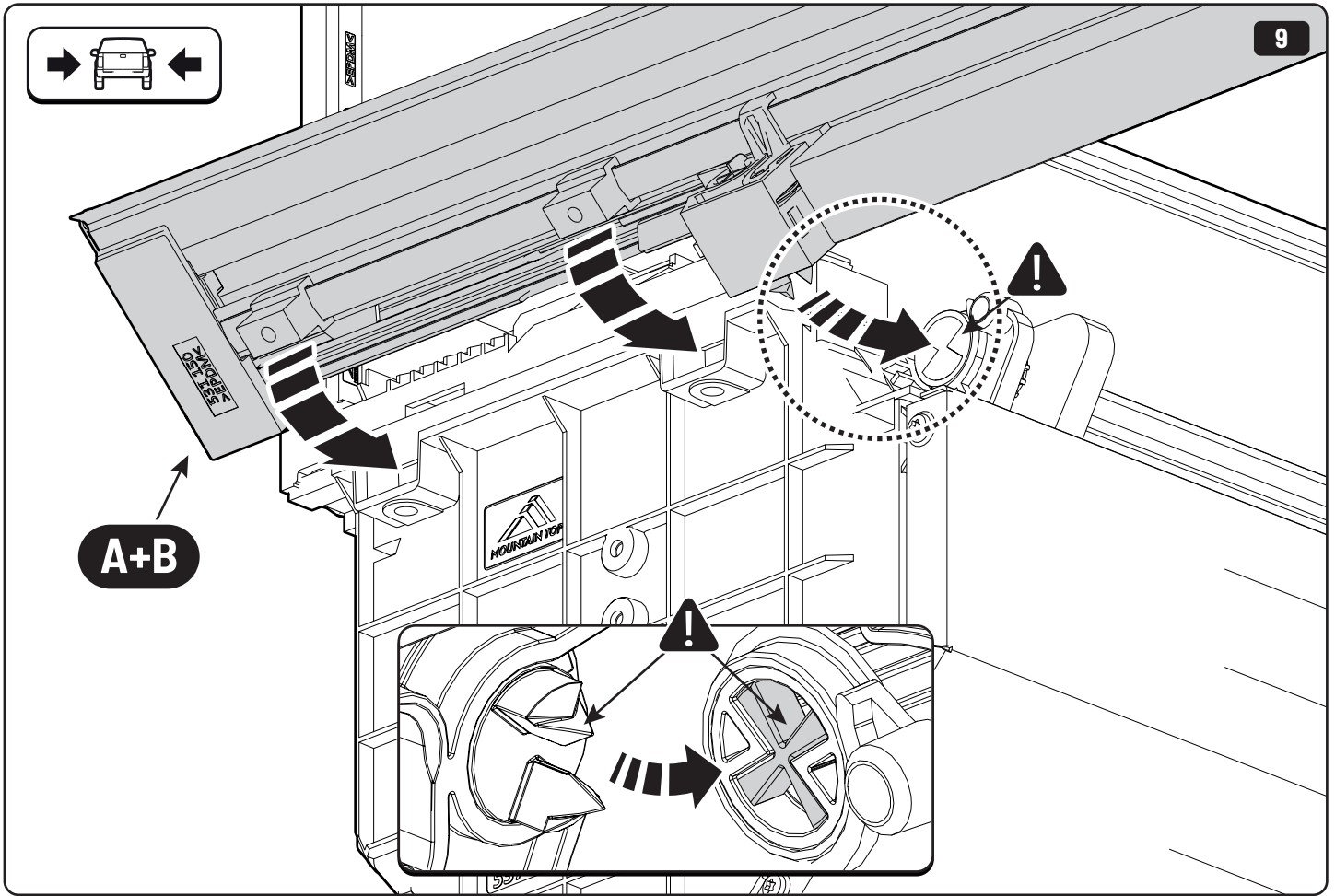


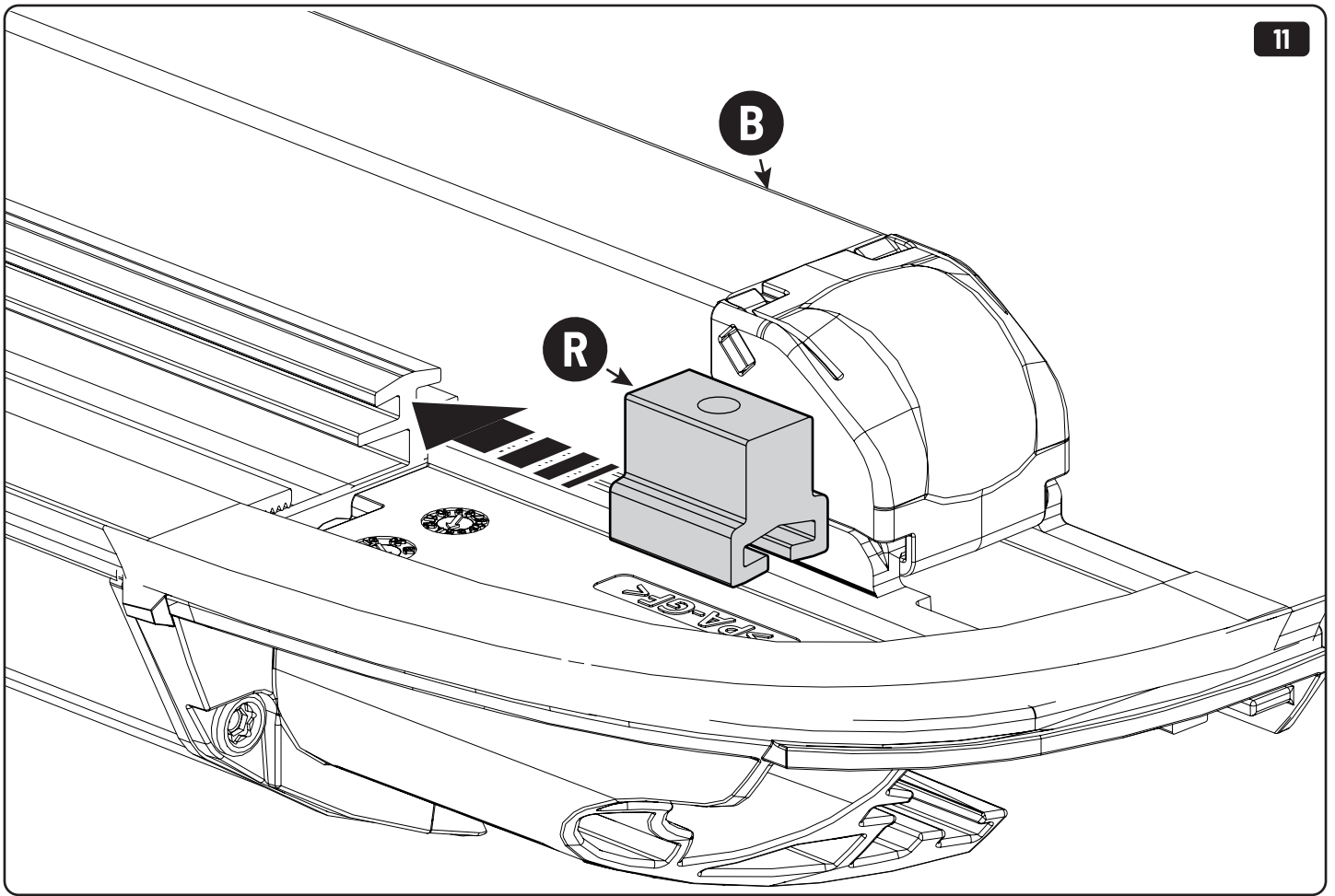
1

2

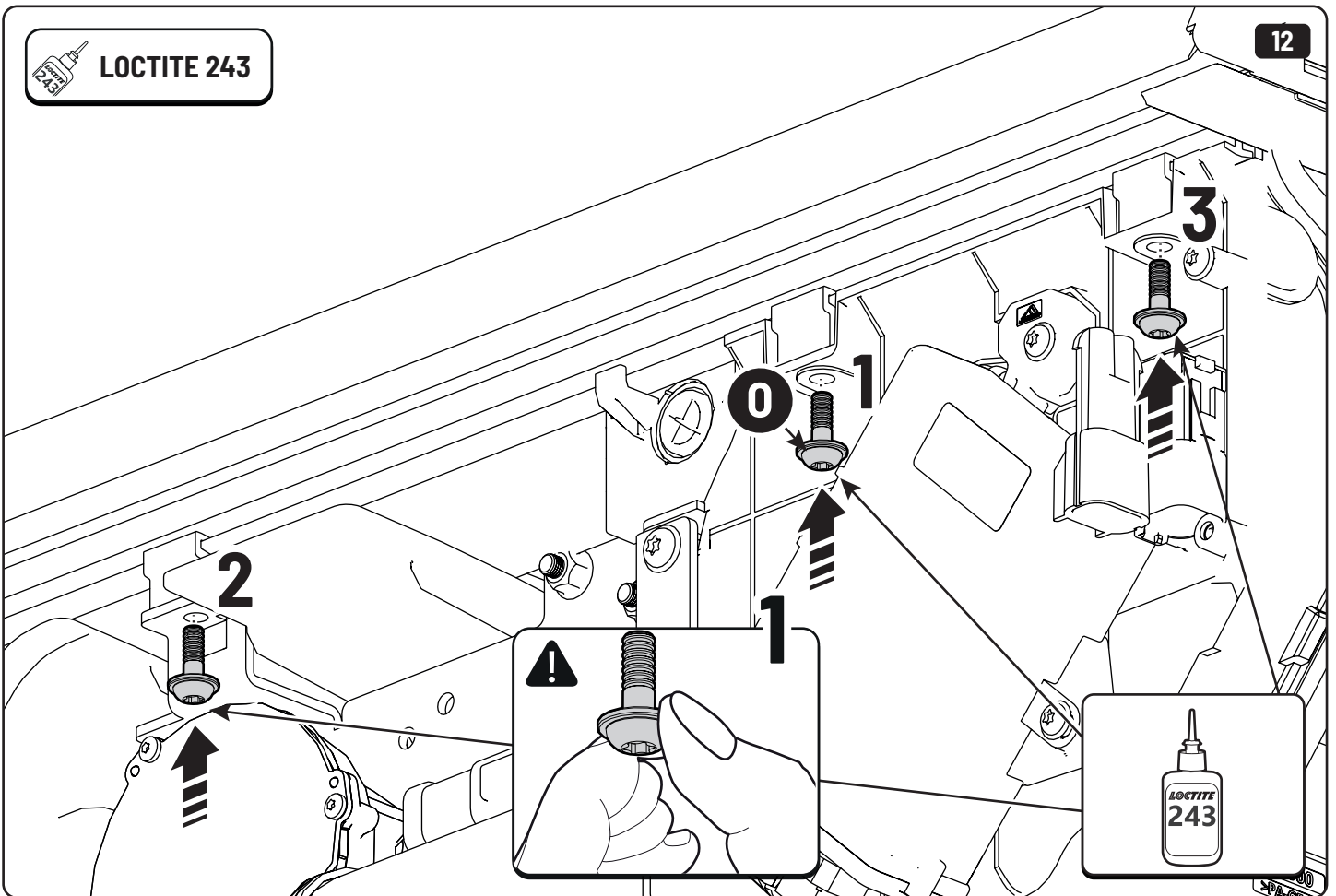


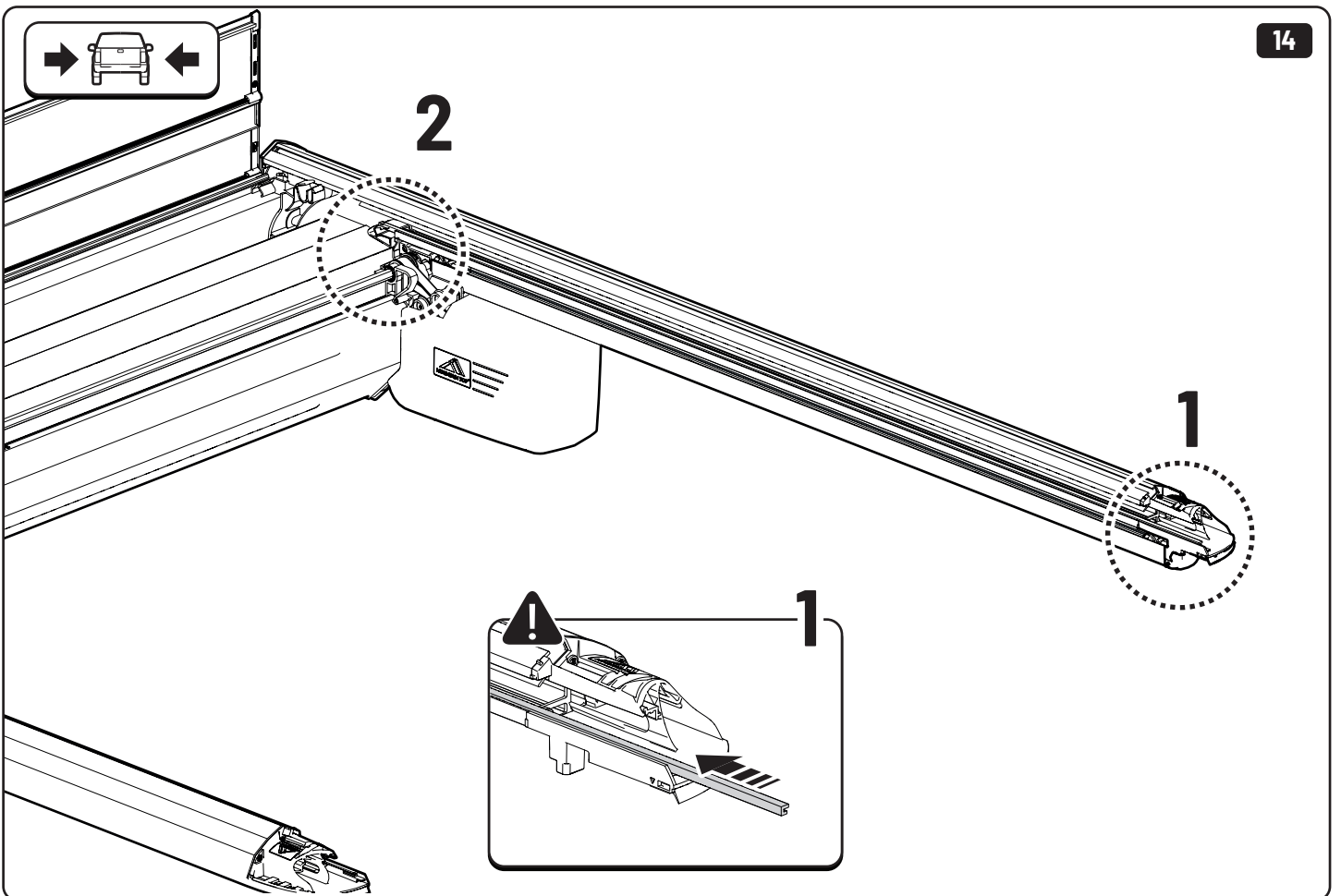
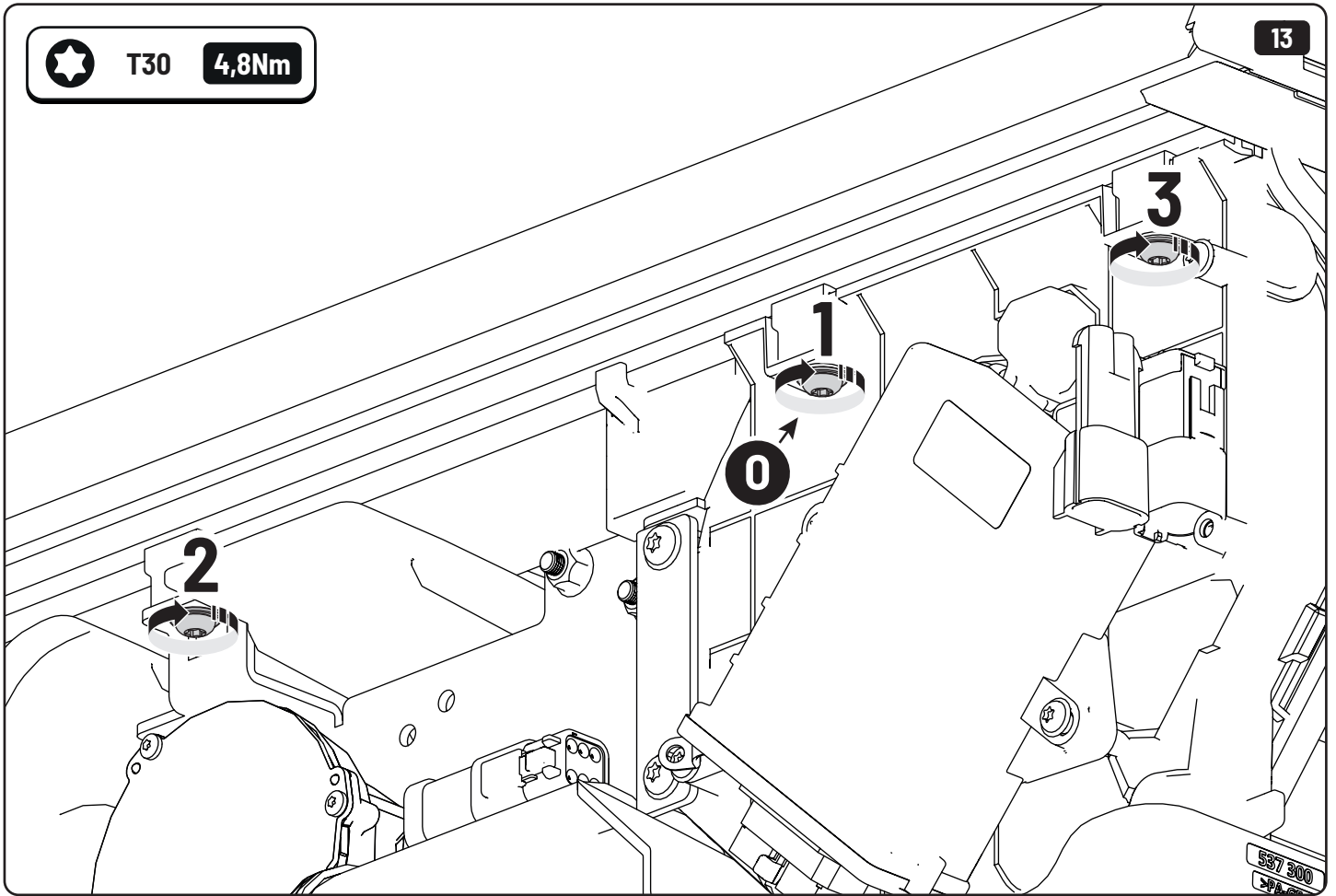


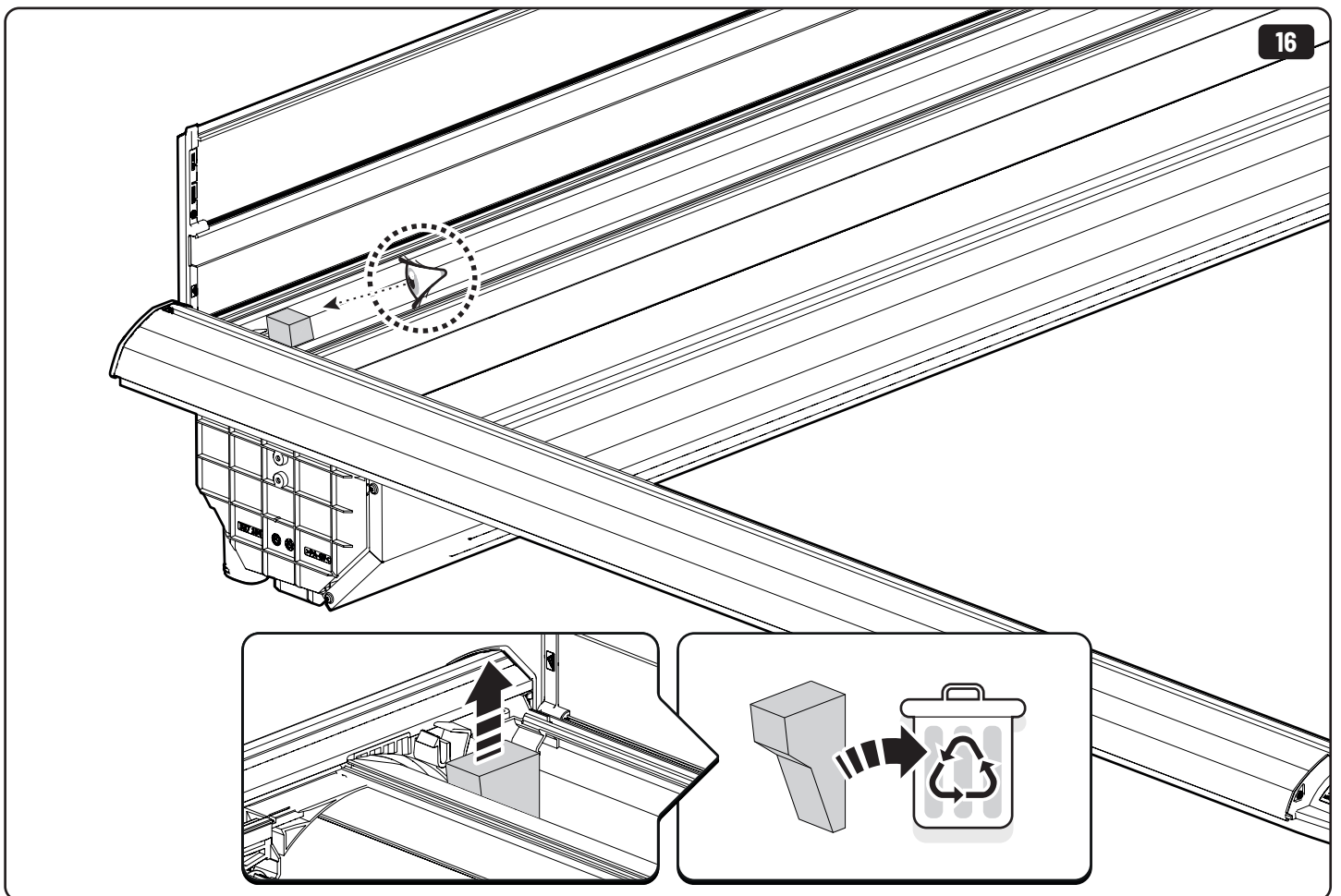
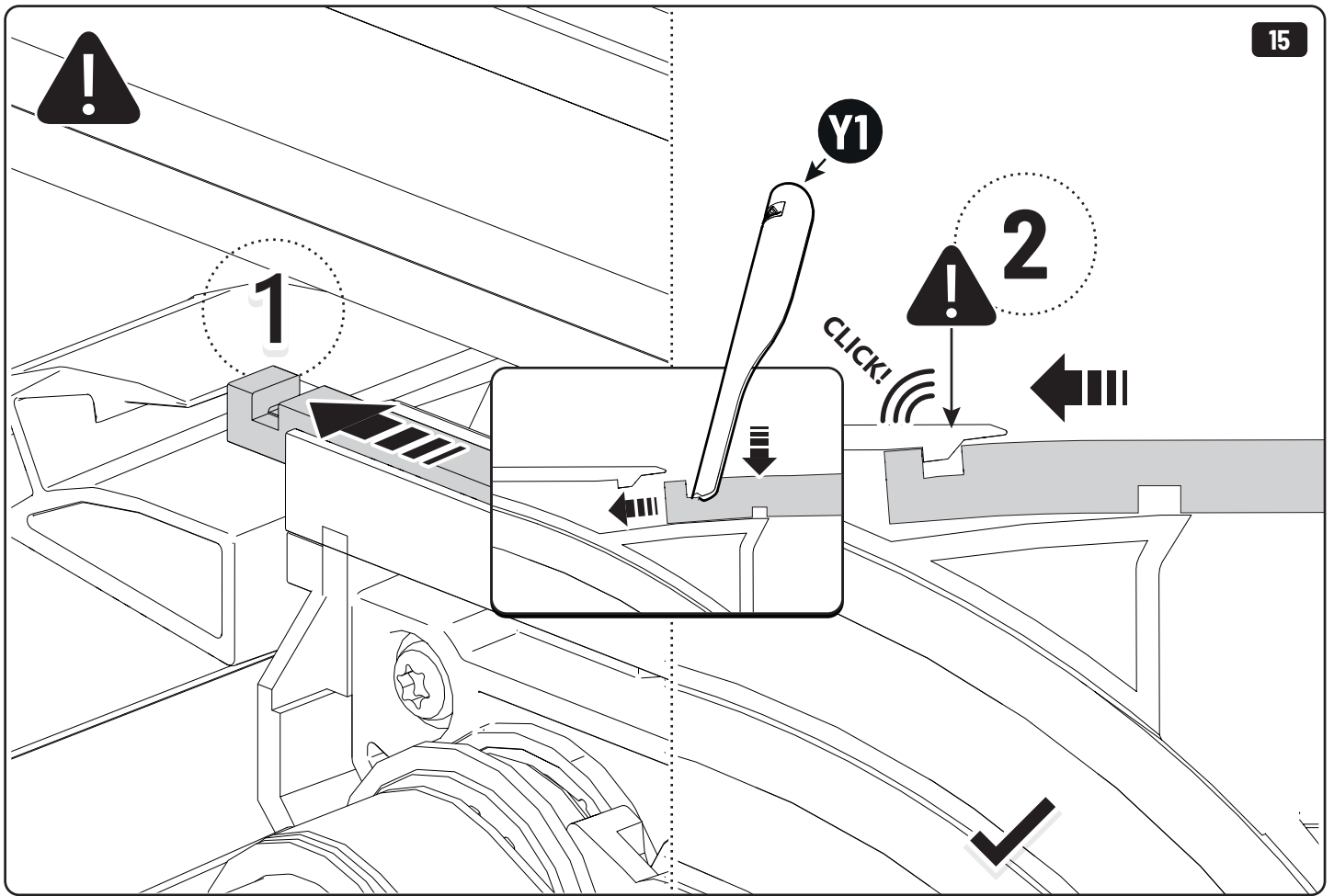


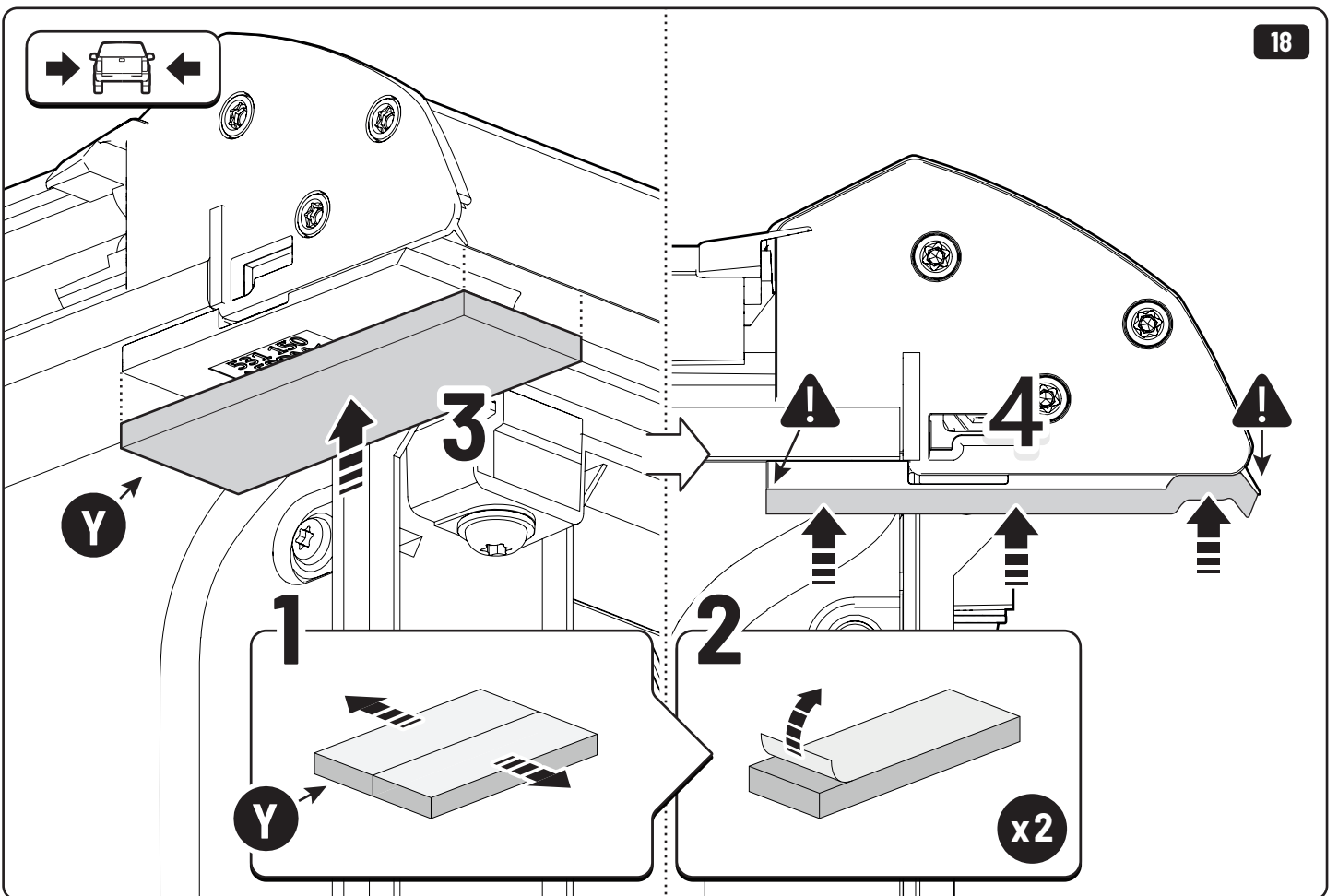
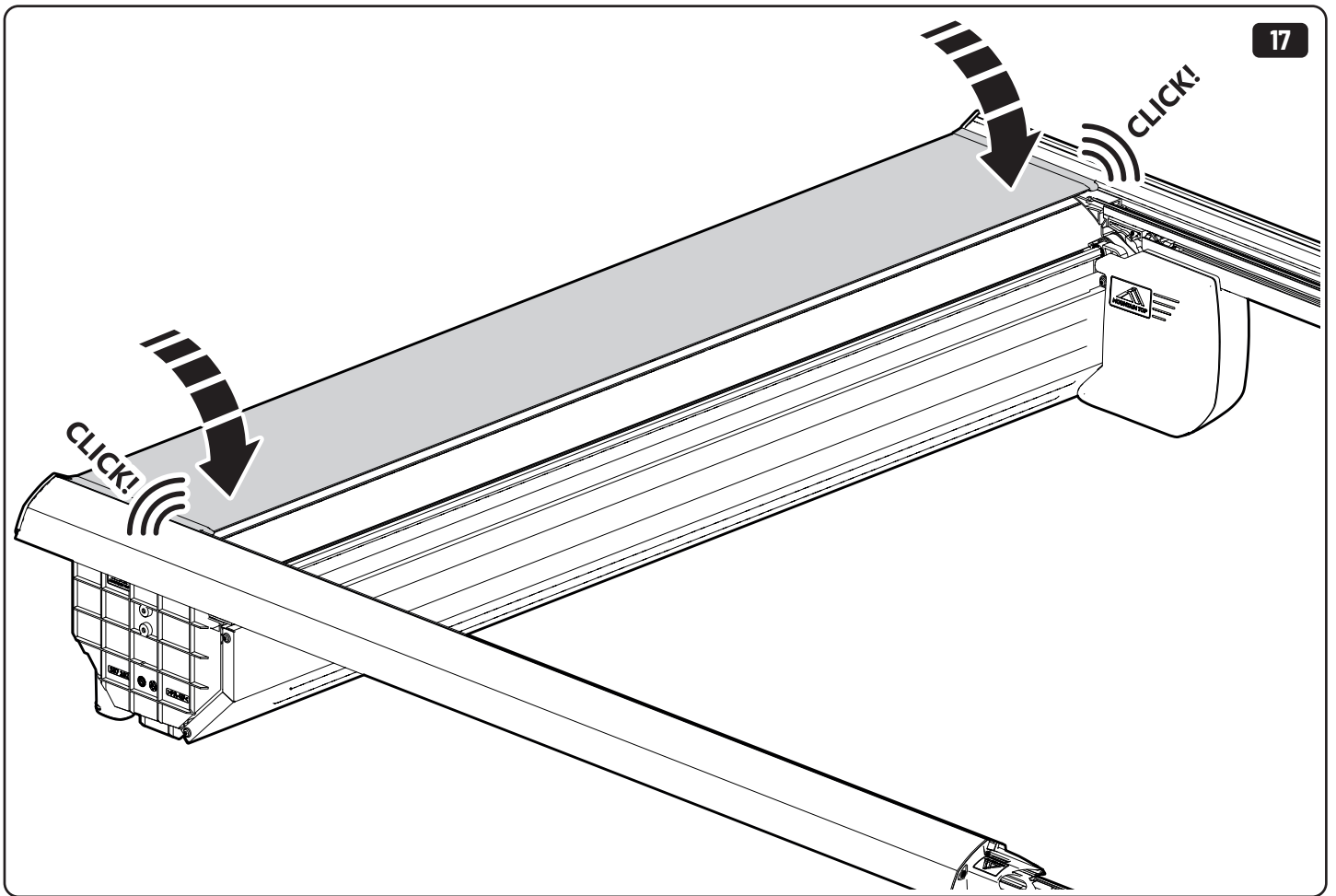


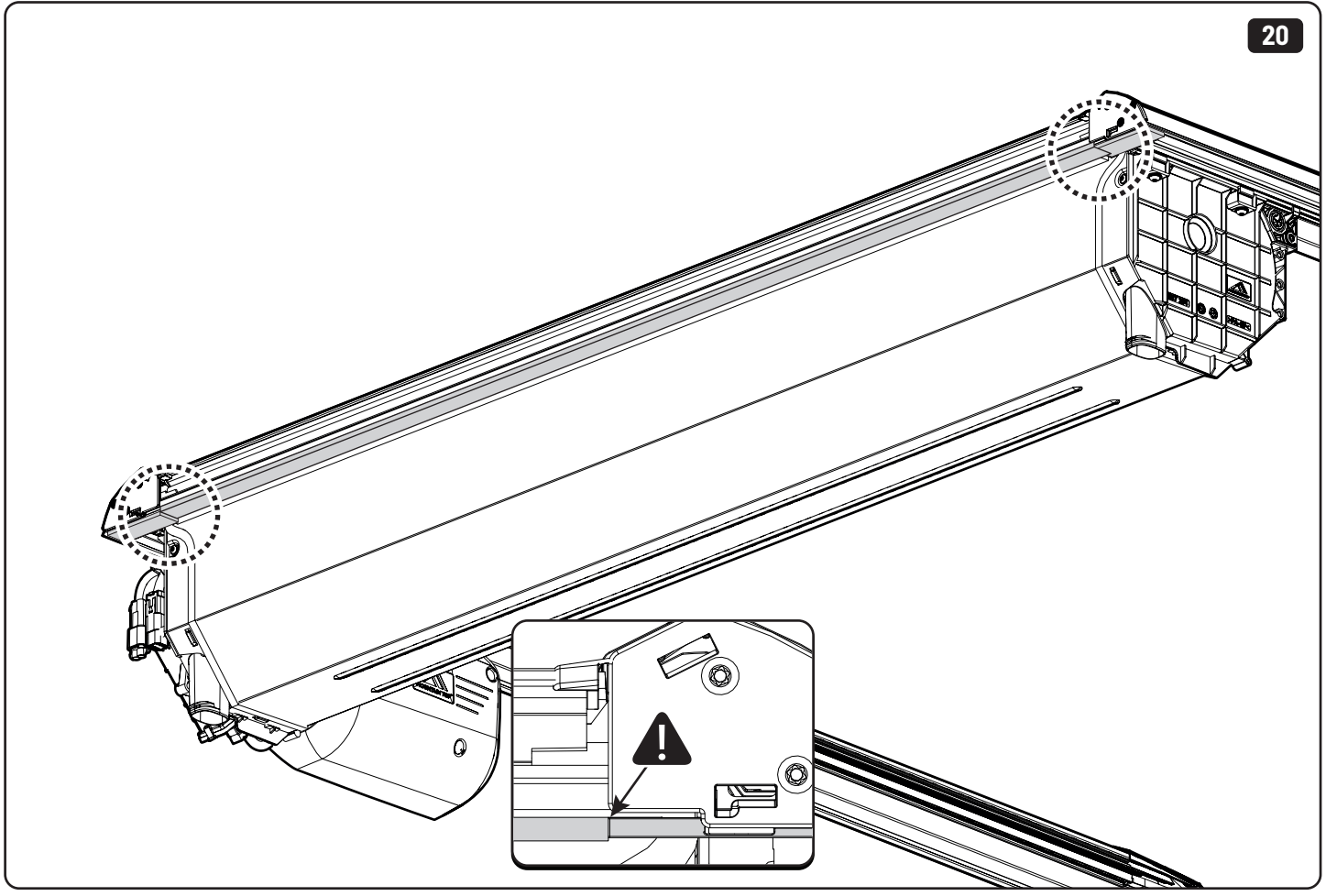
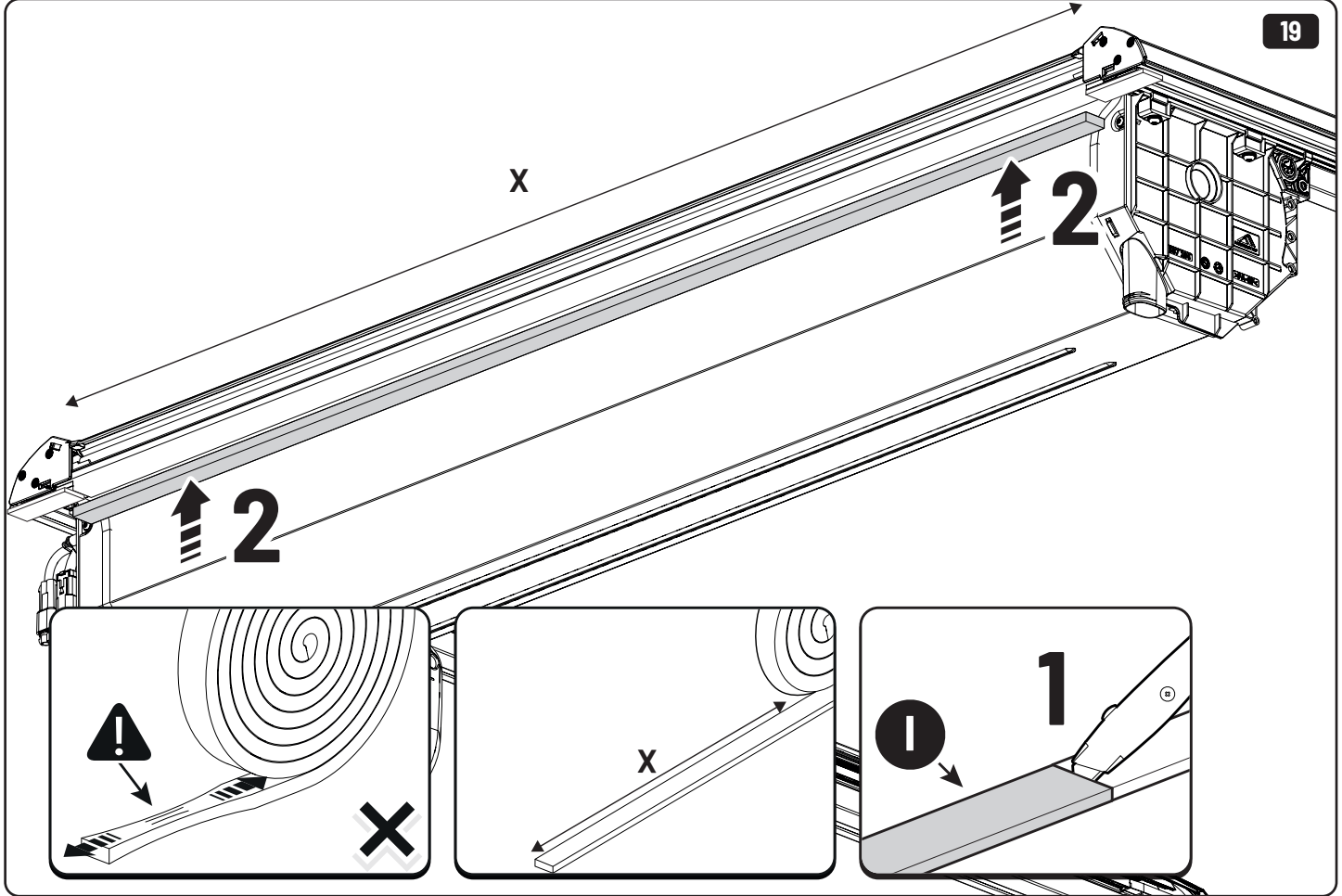
 **LOCTITE 243**



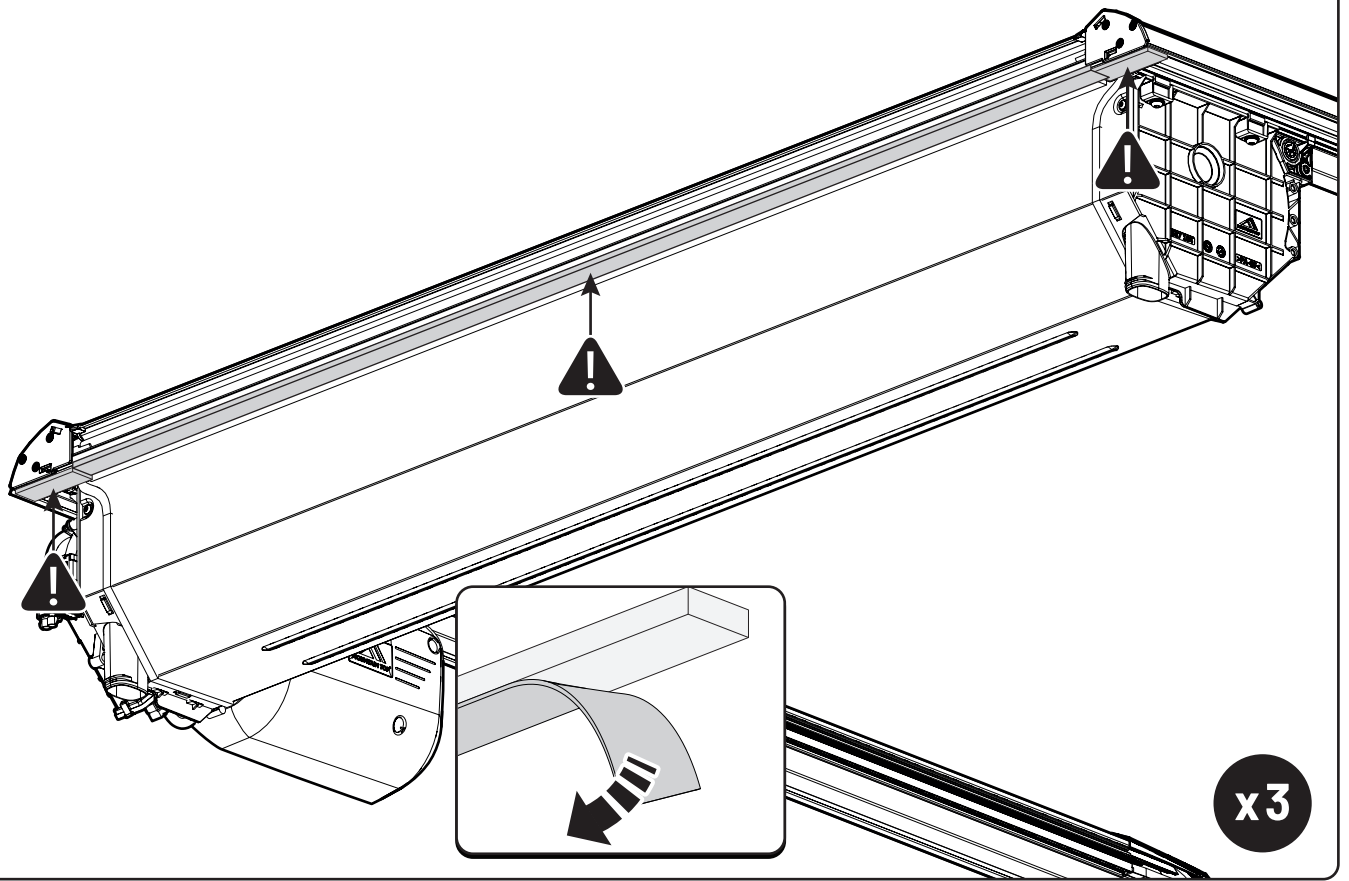




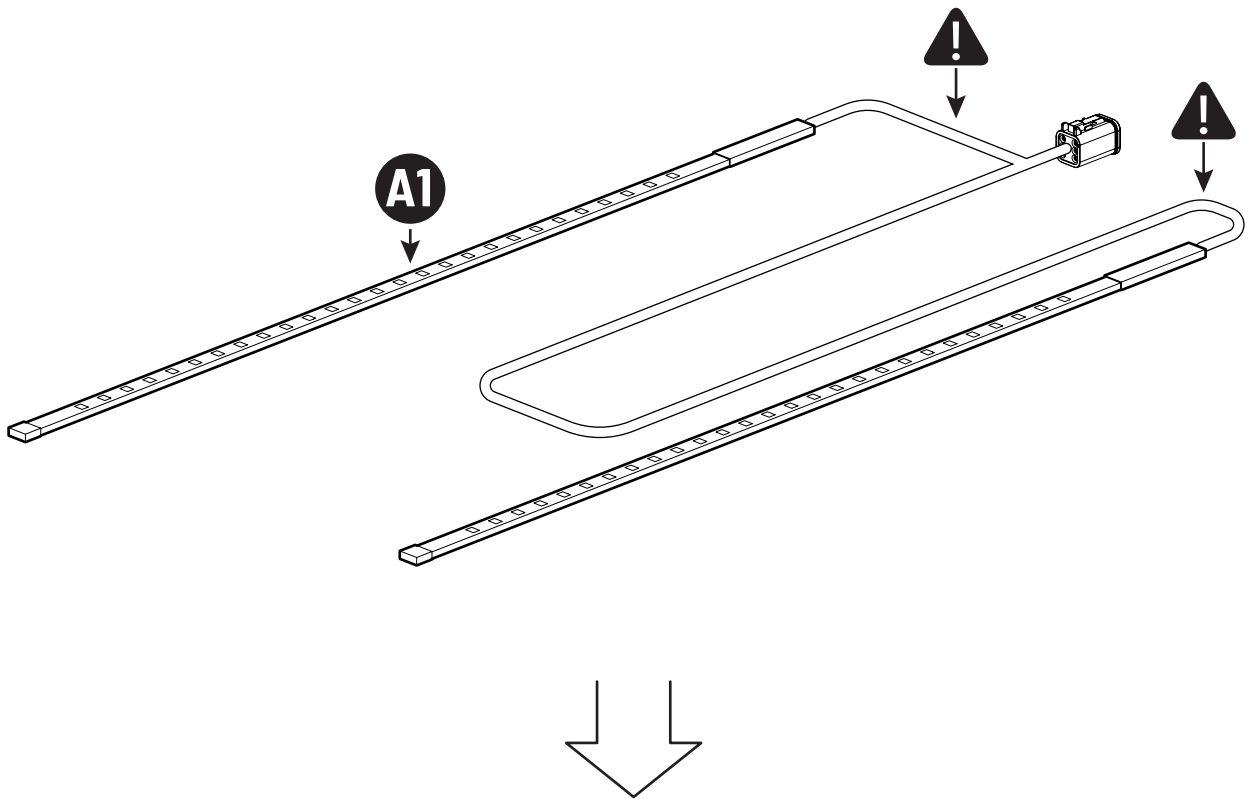


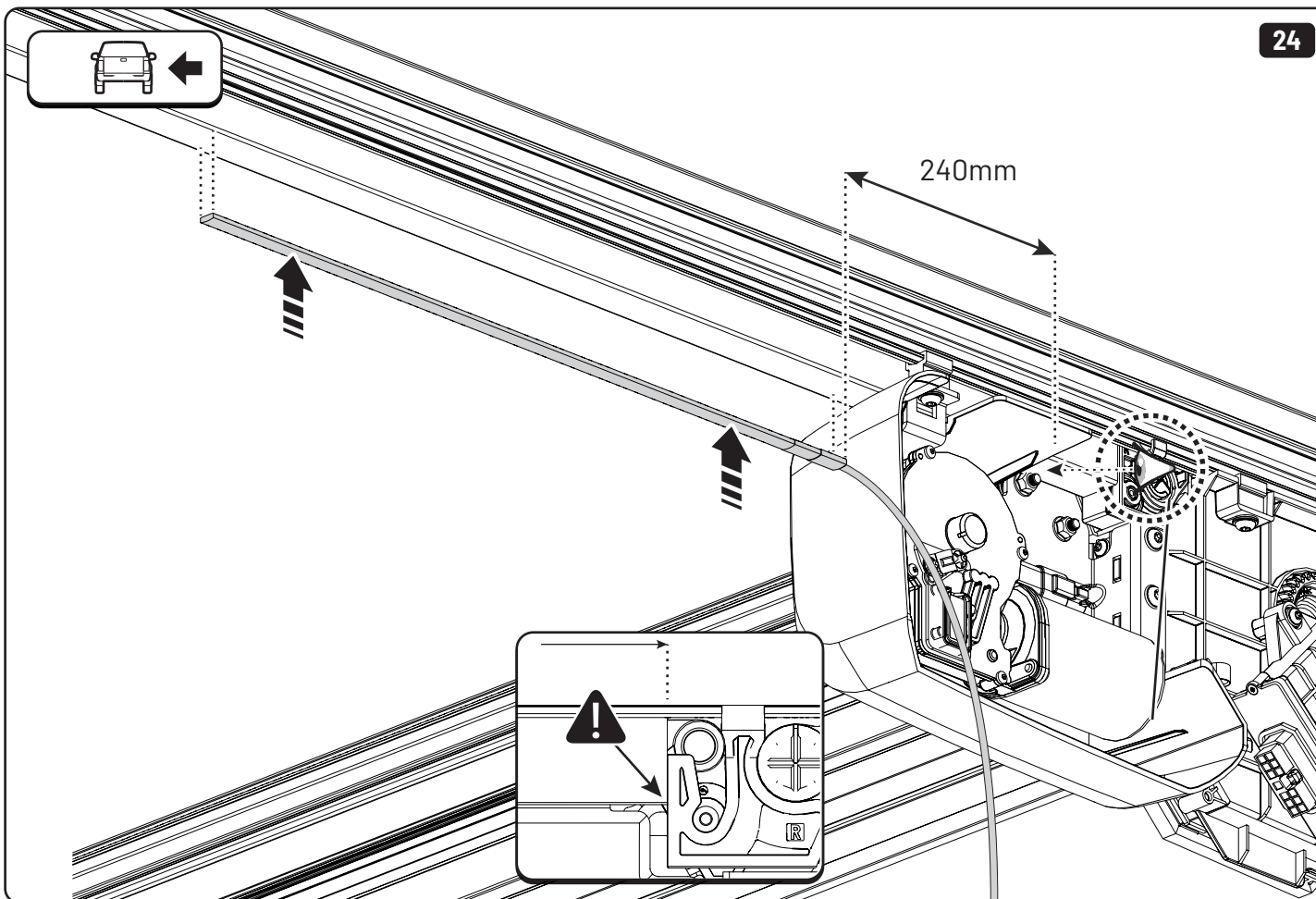
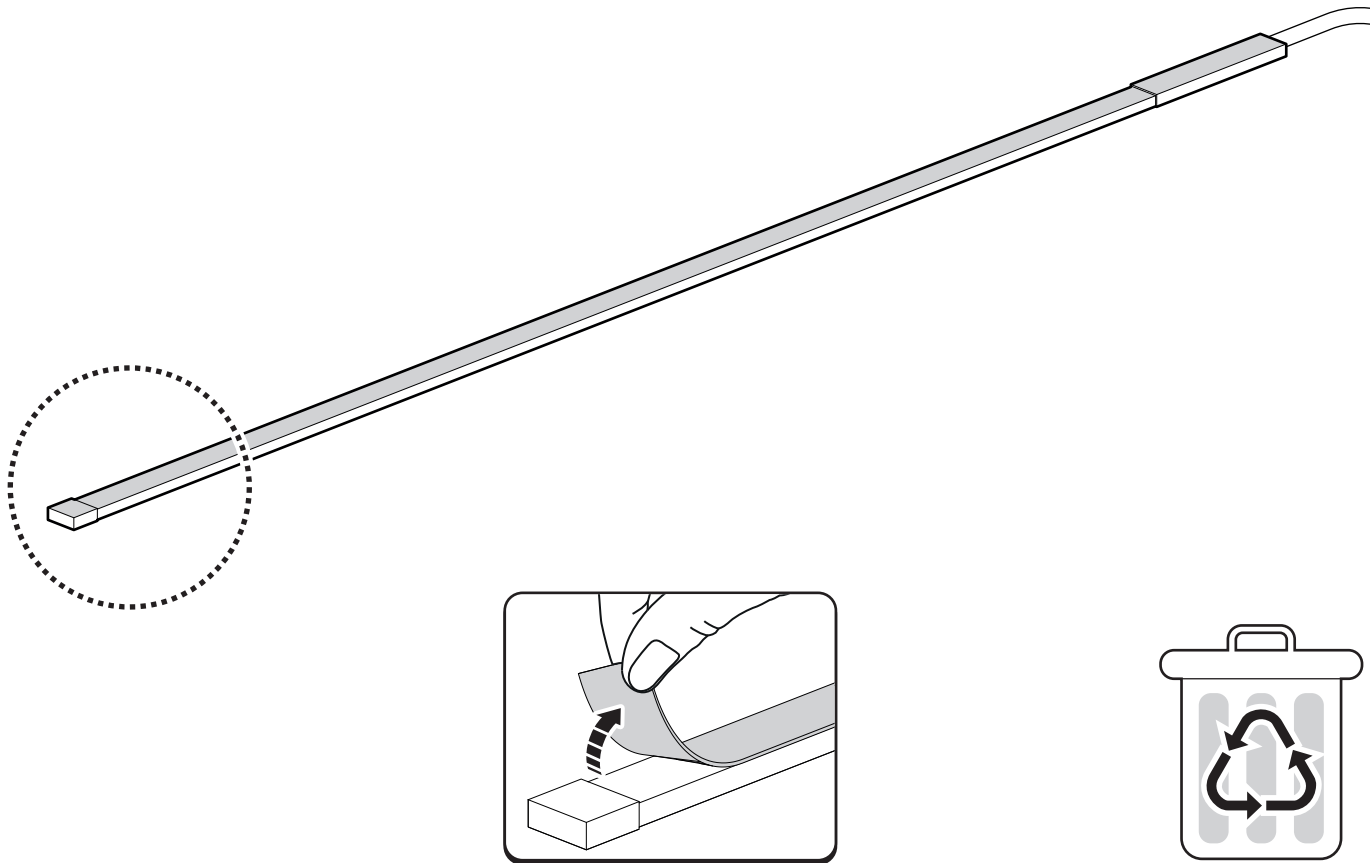


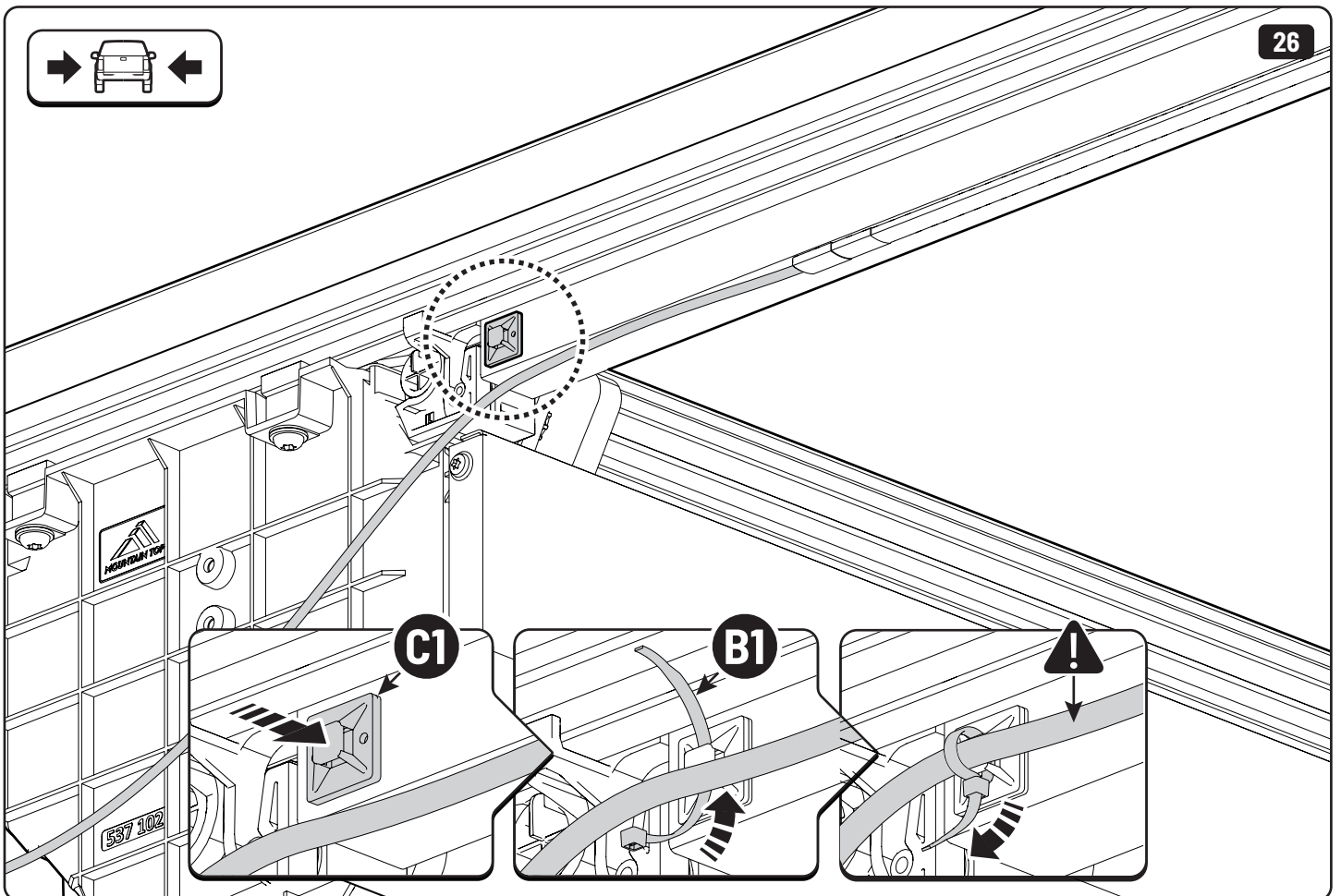
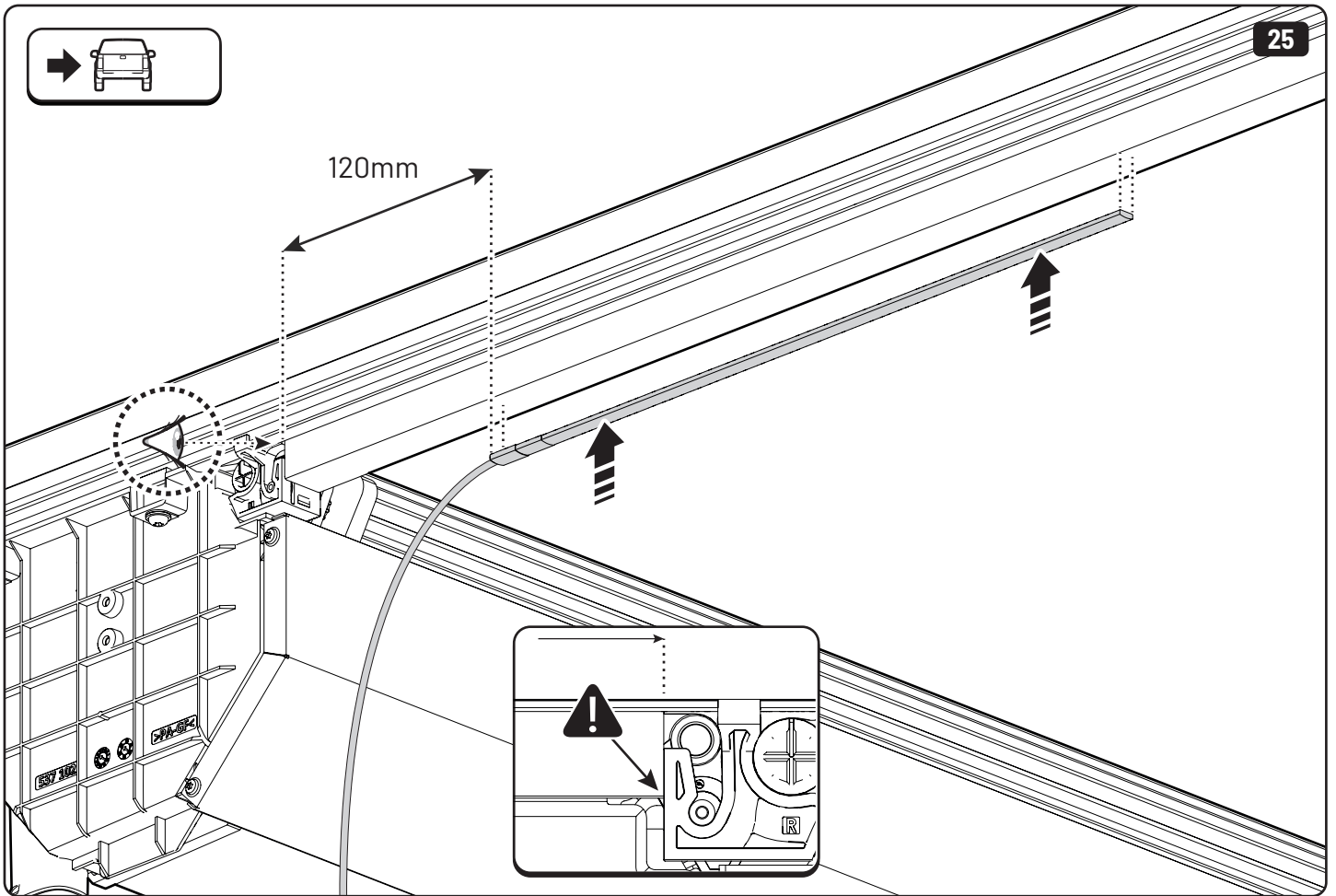
21

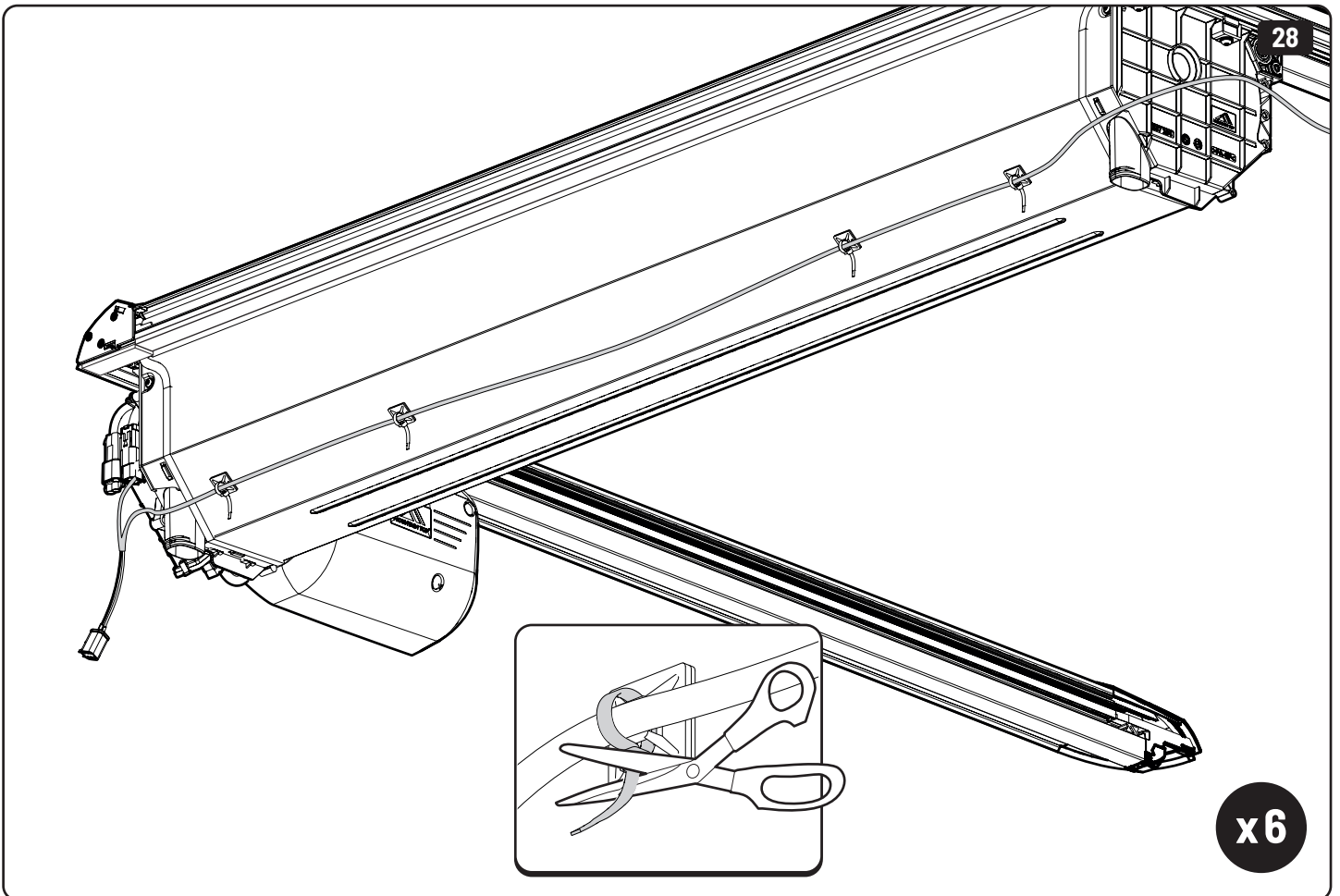
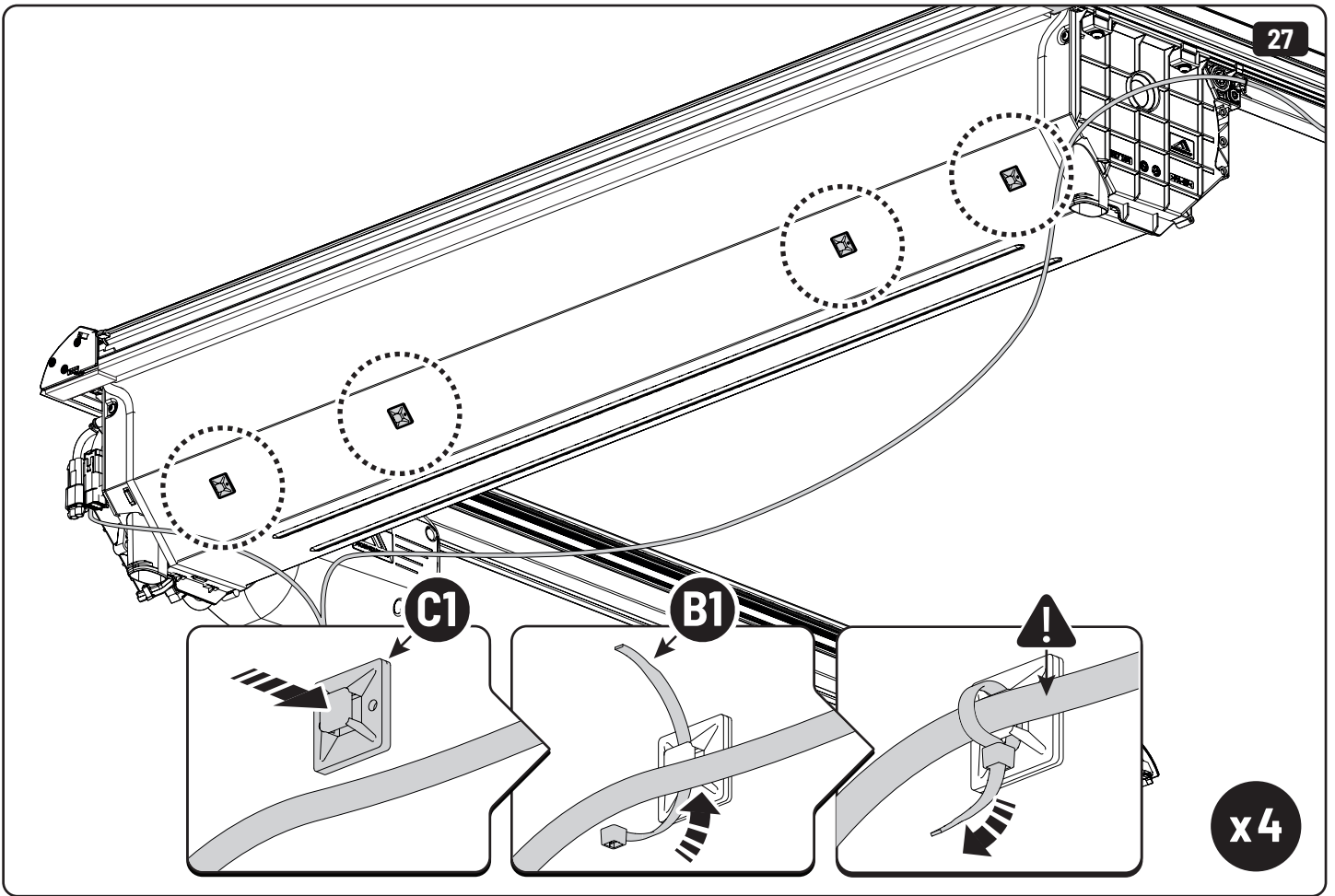


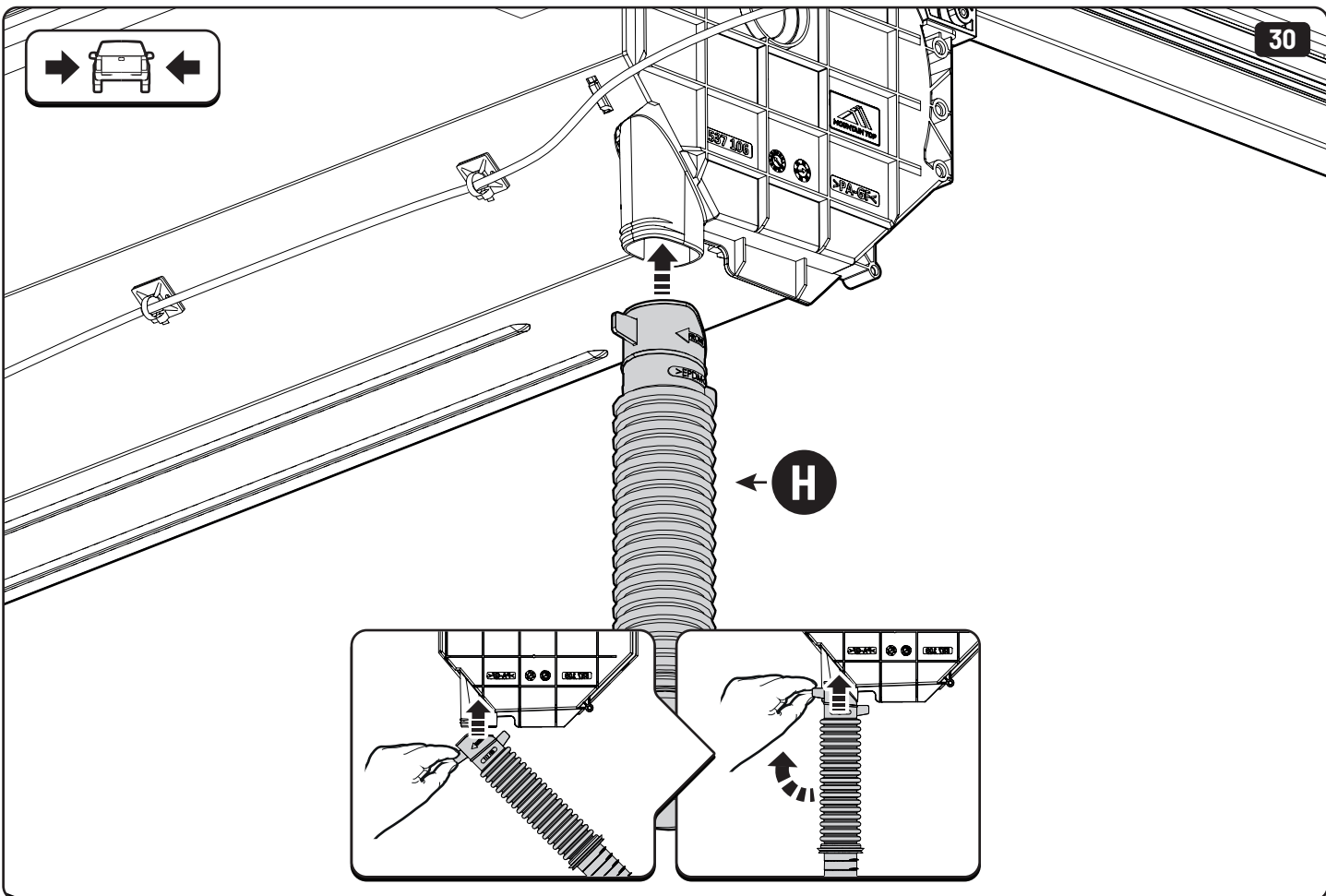
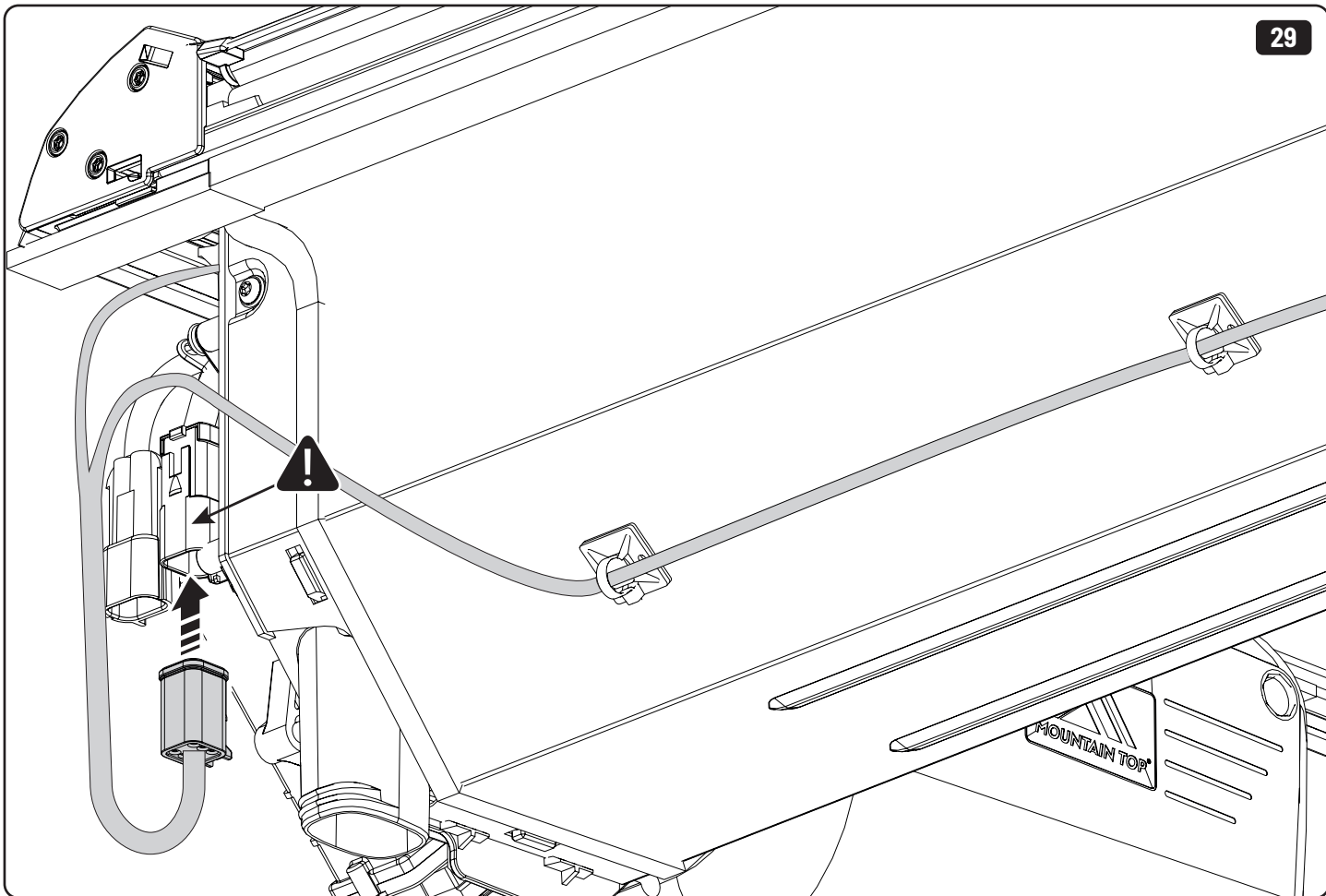
22









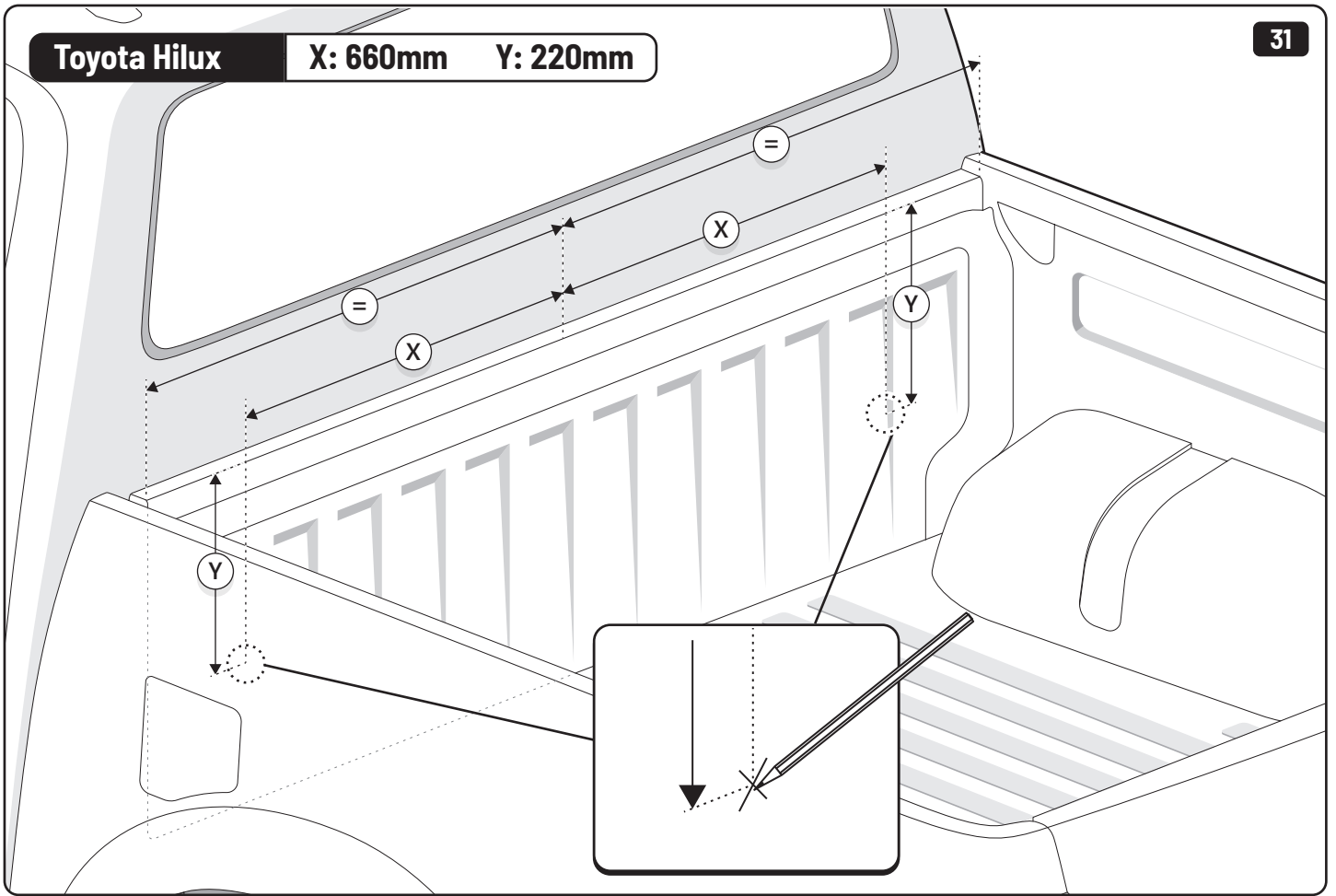


Toyota Hilux

X: 660mm

Y: 220mm

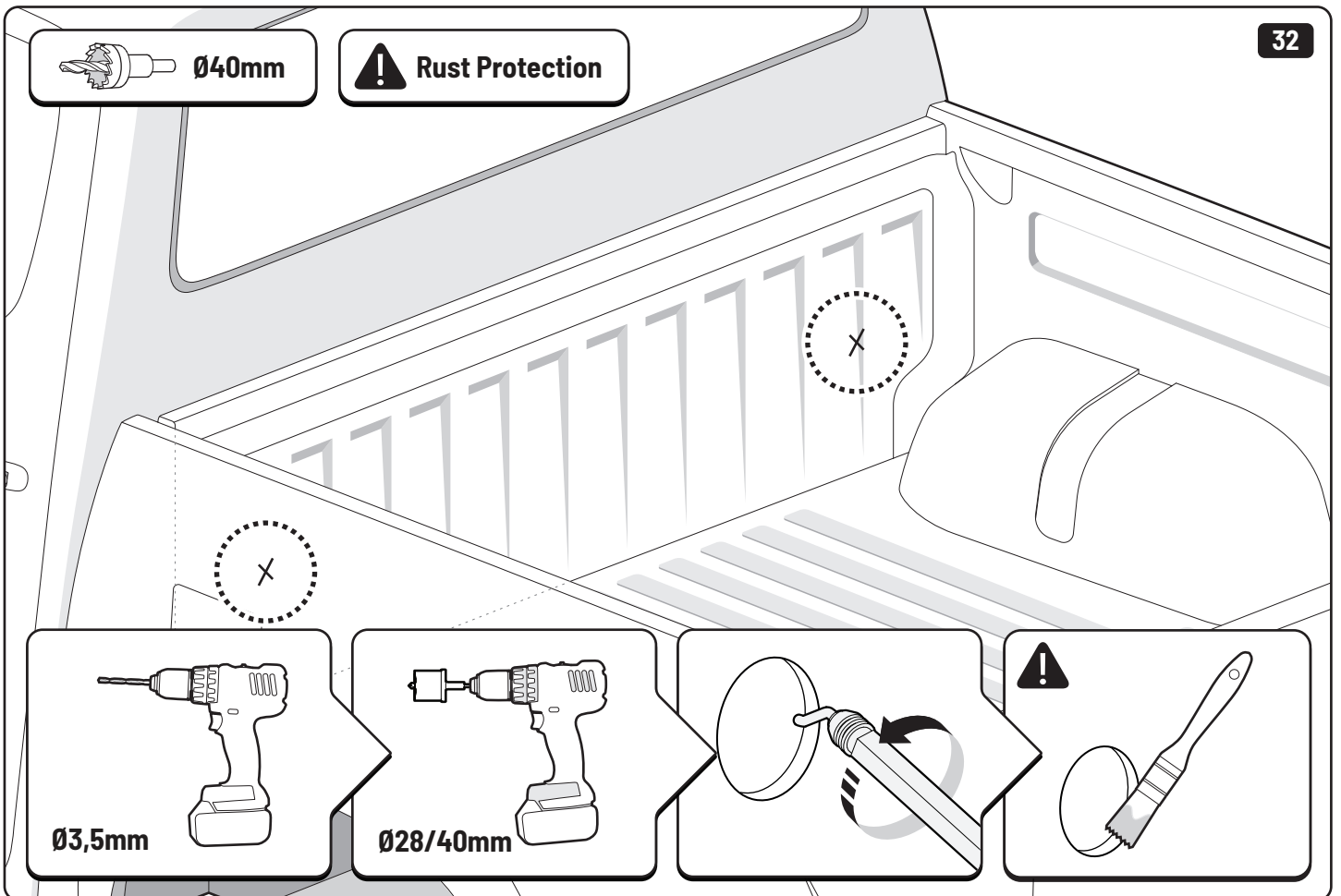
31

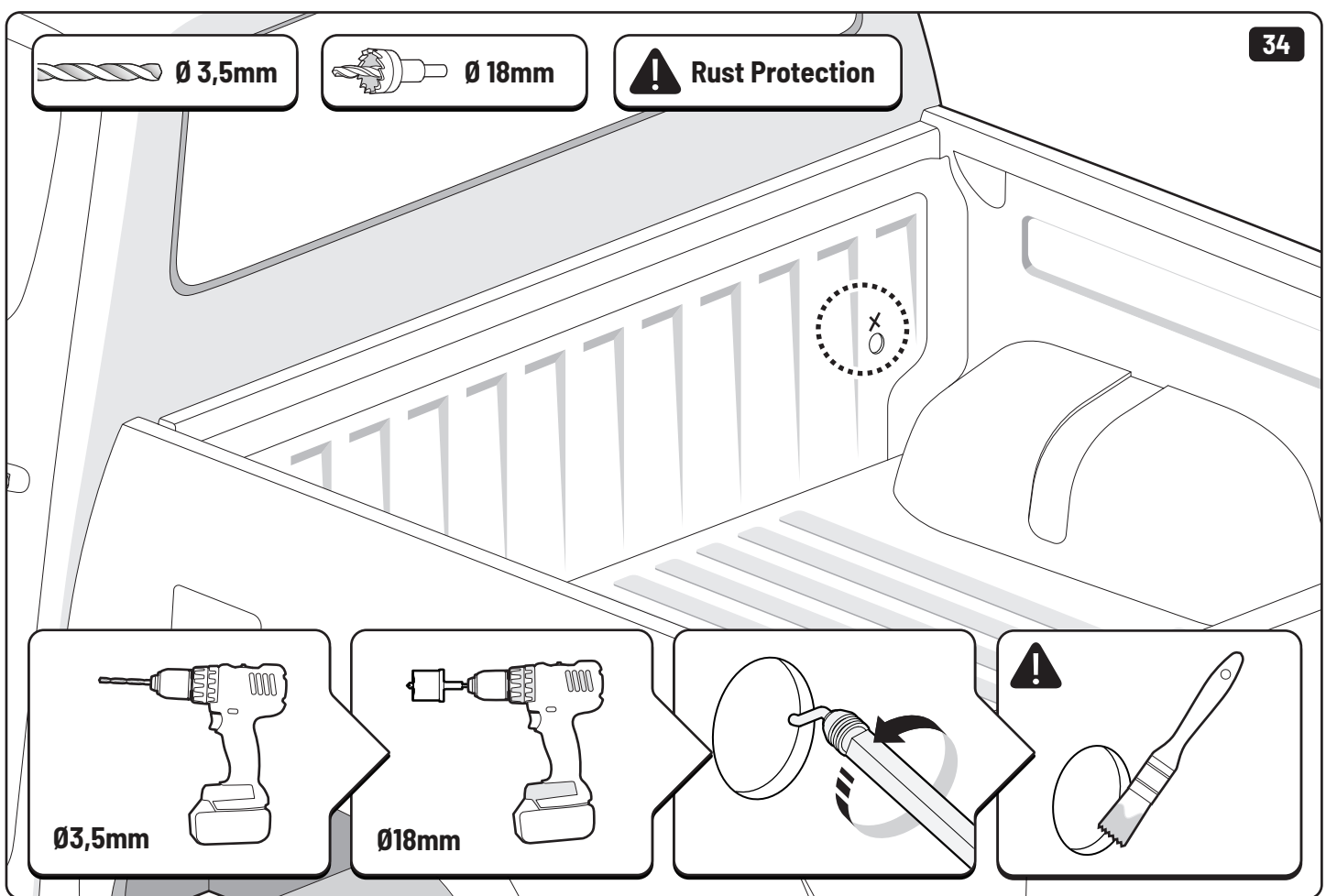
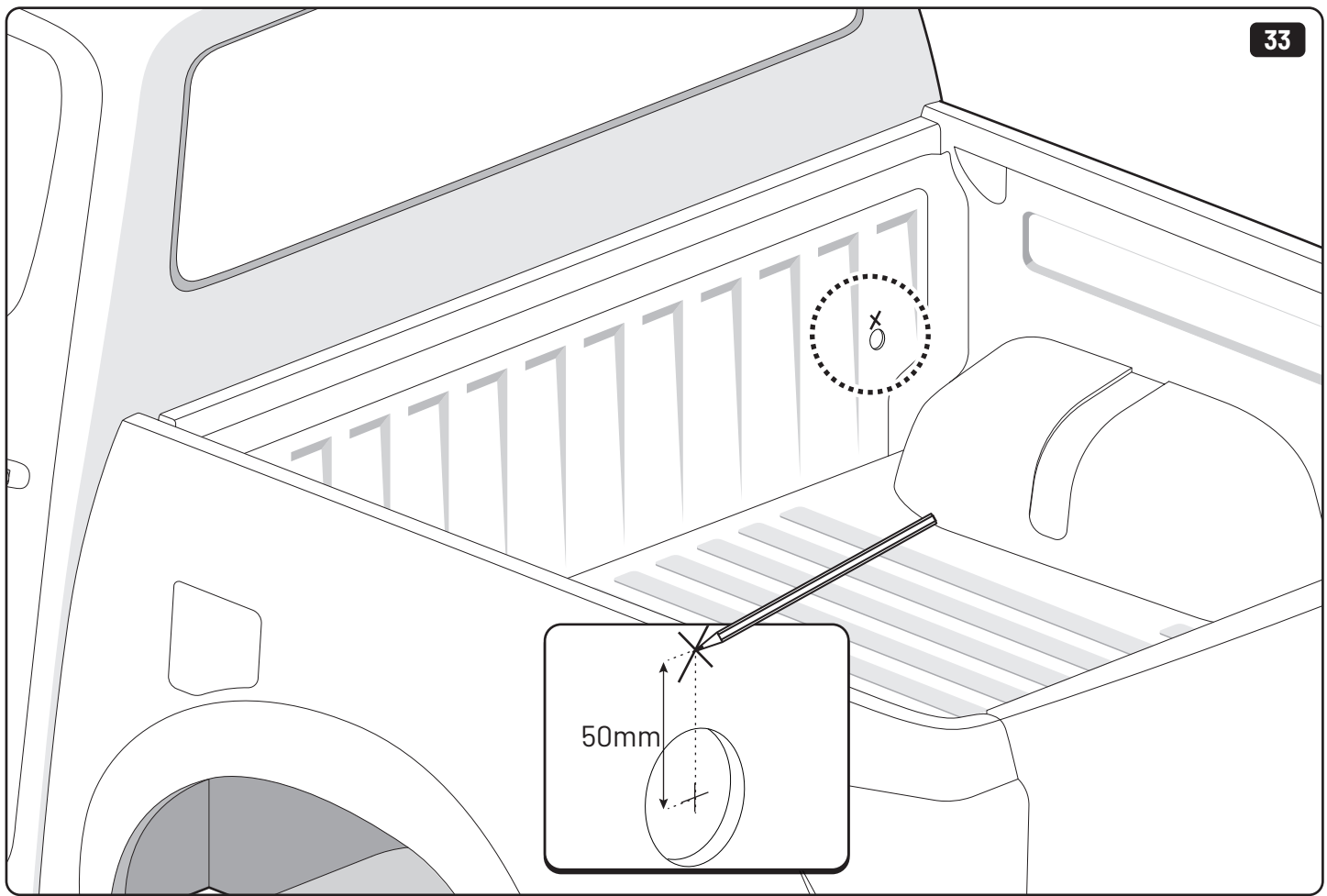


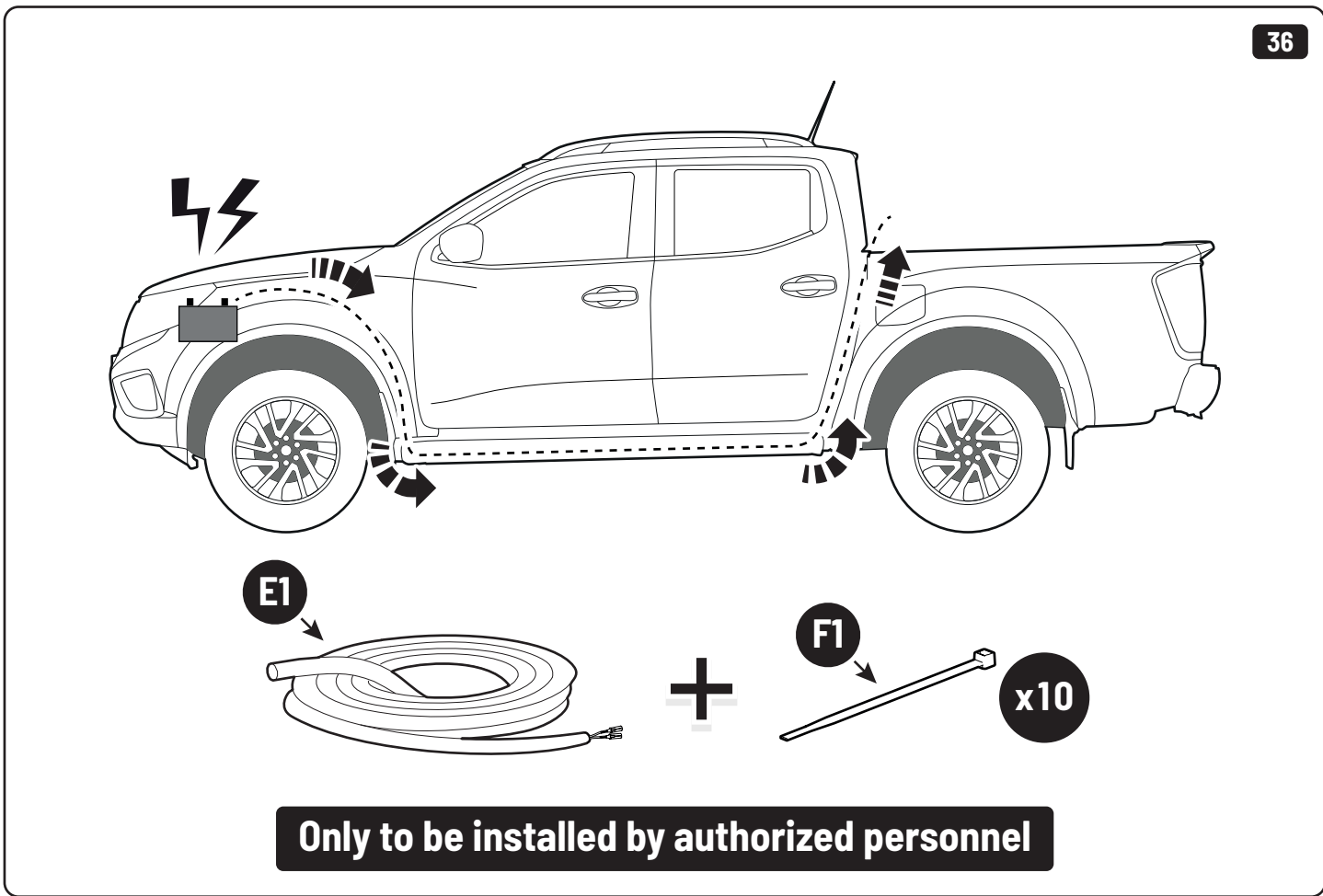
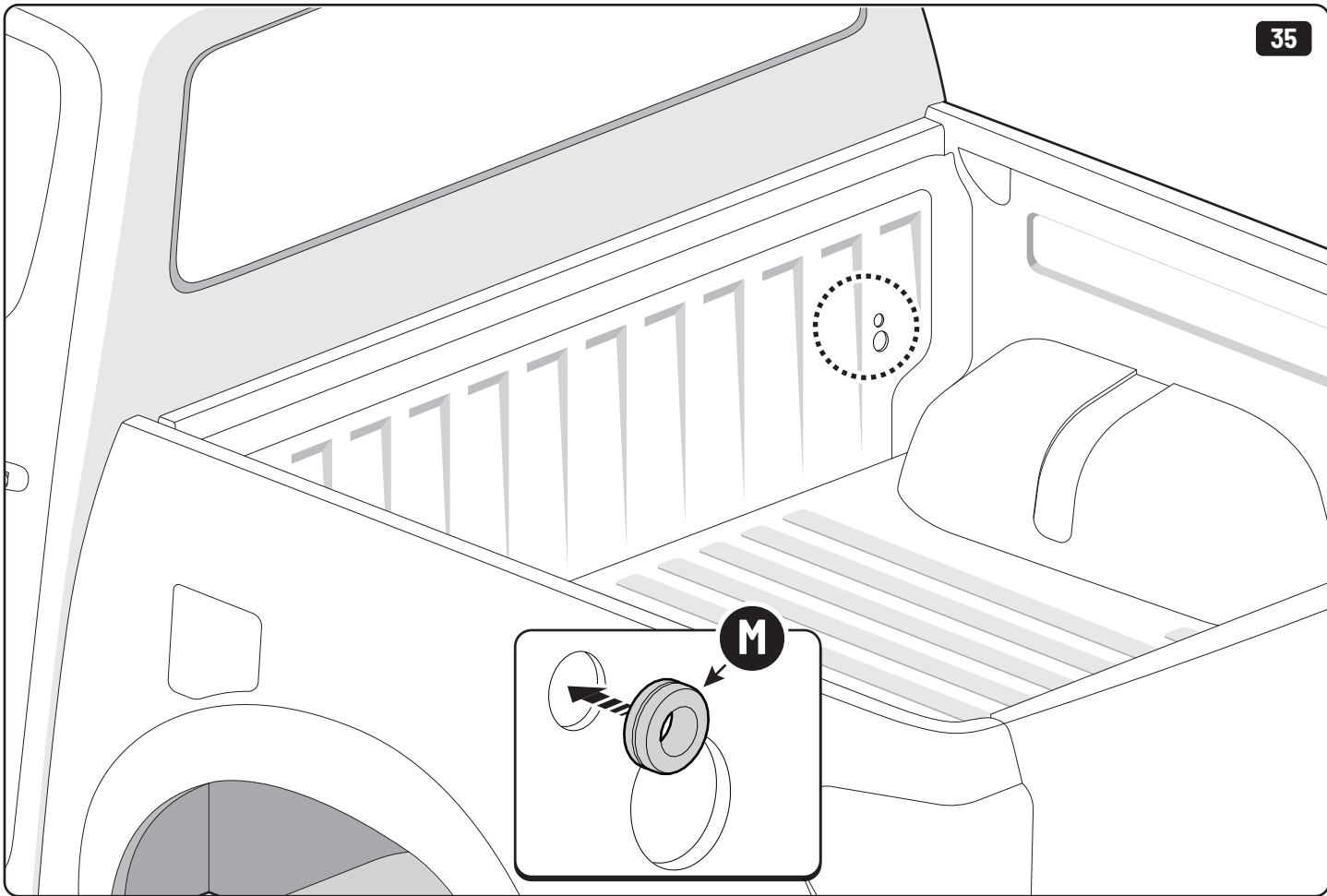
 Ø40mm

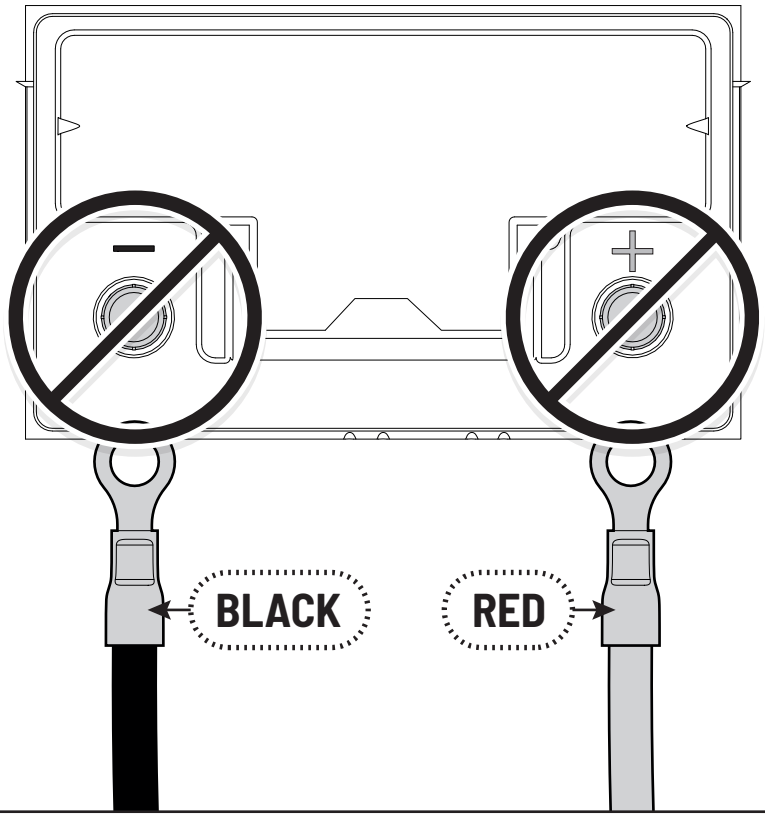
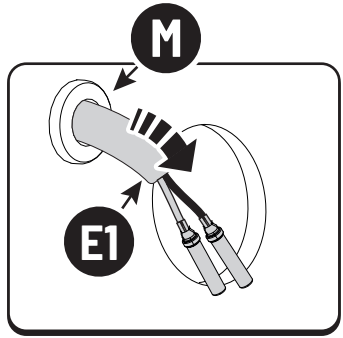
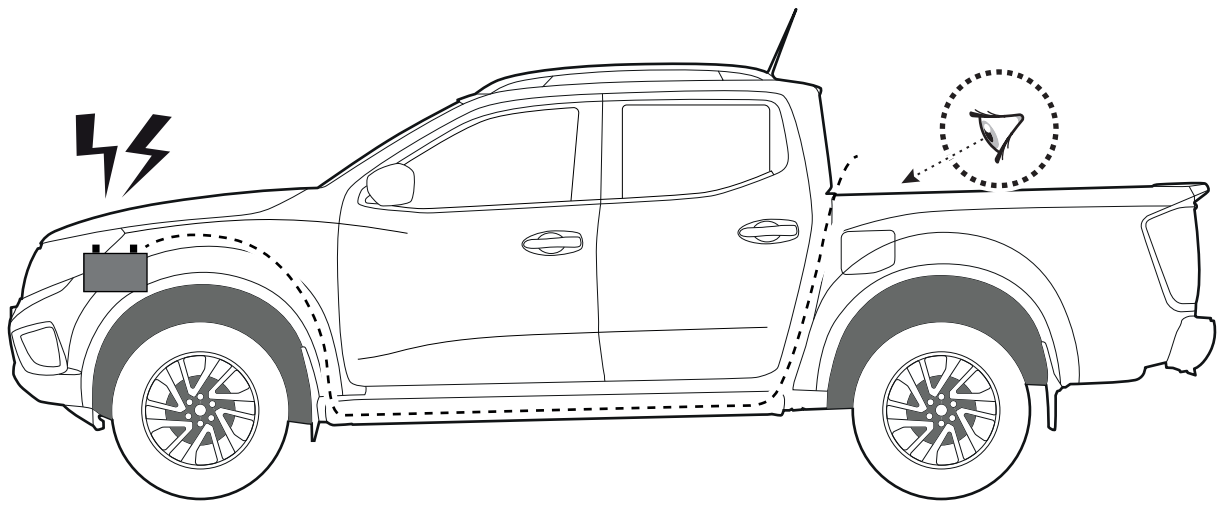
 Rust Protection

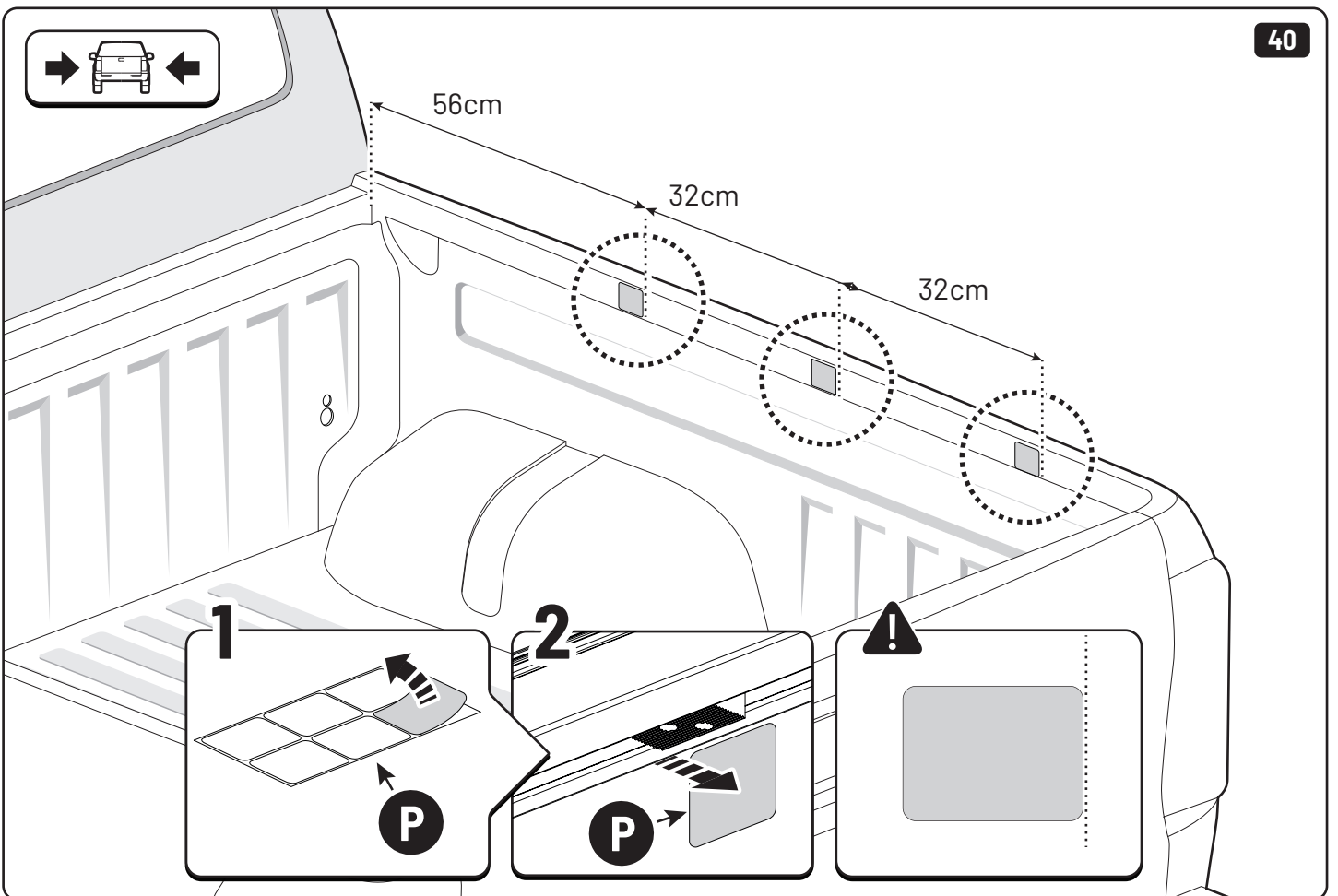
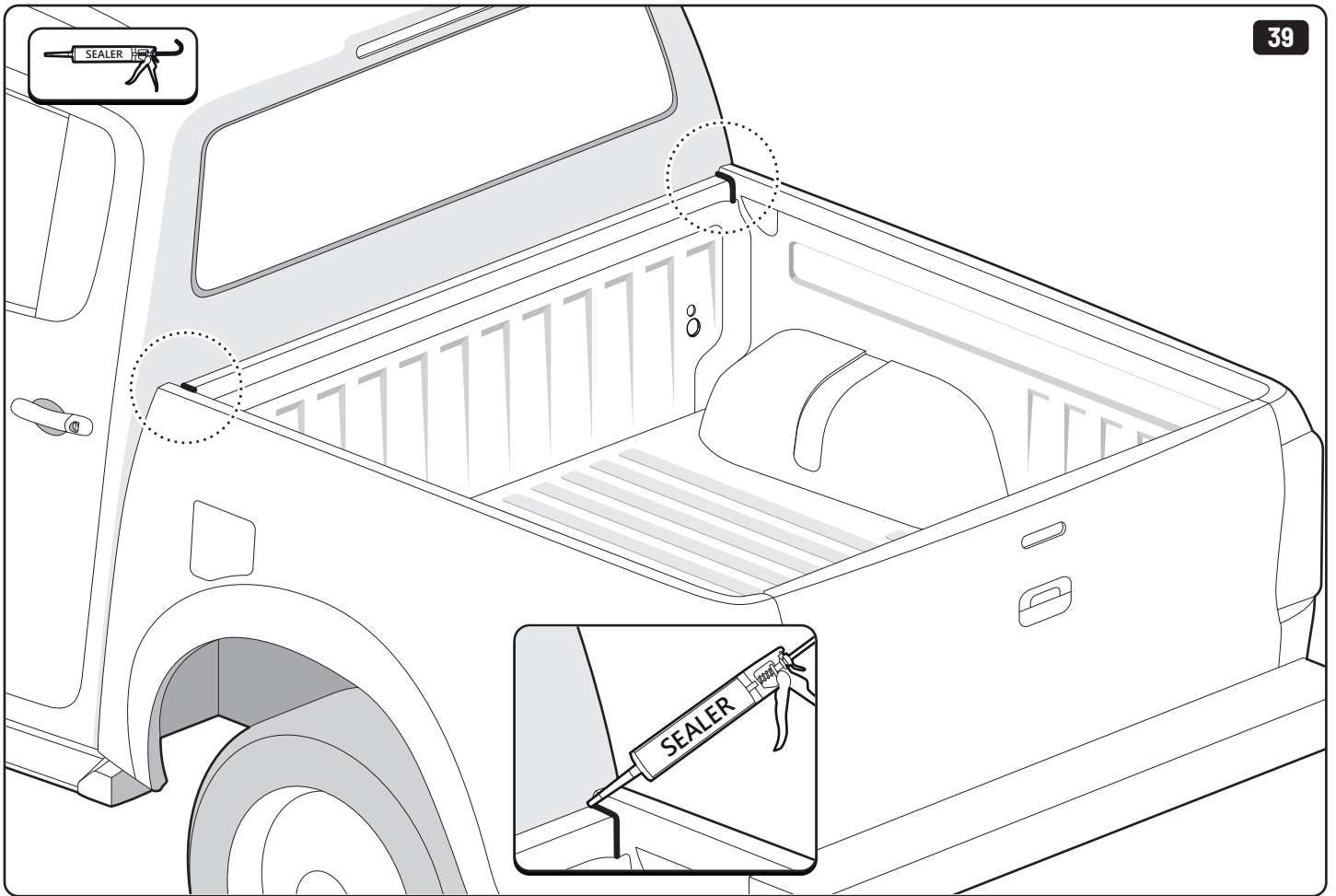
32

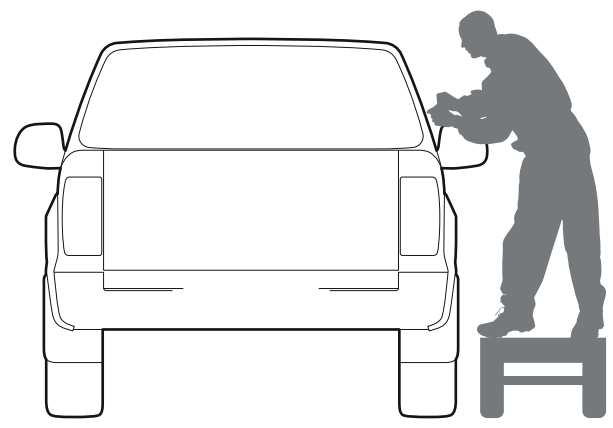
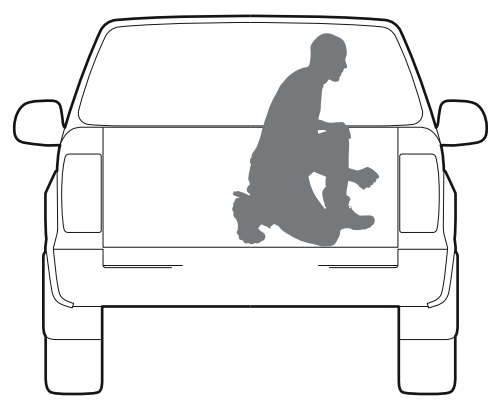
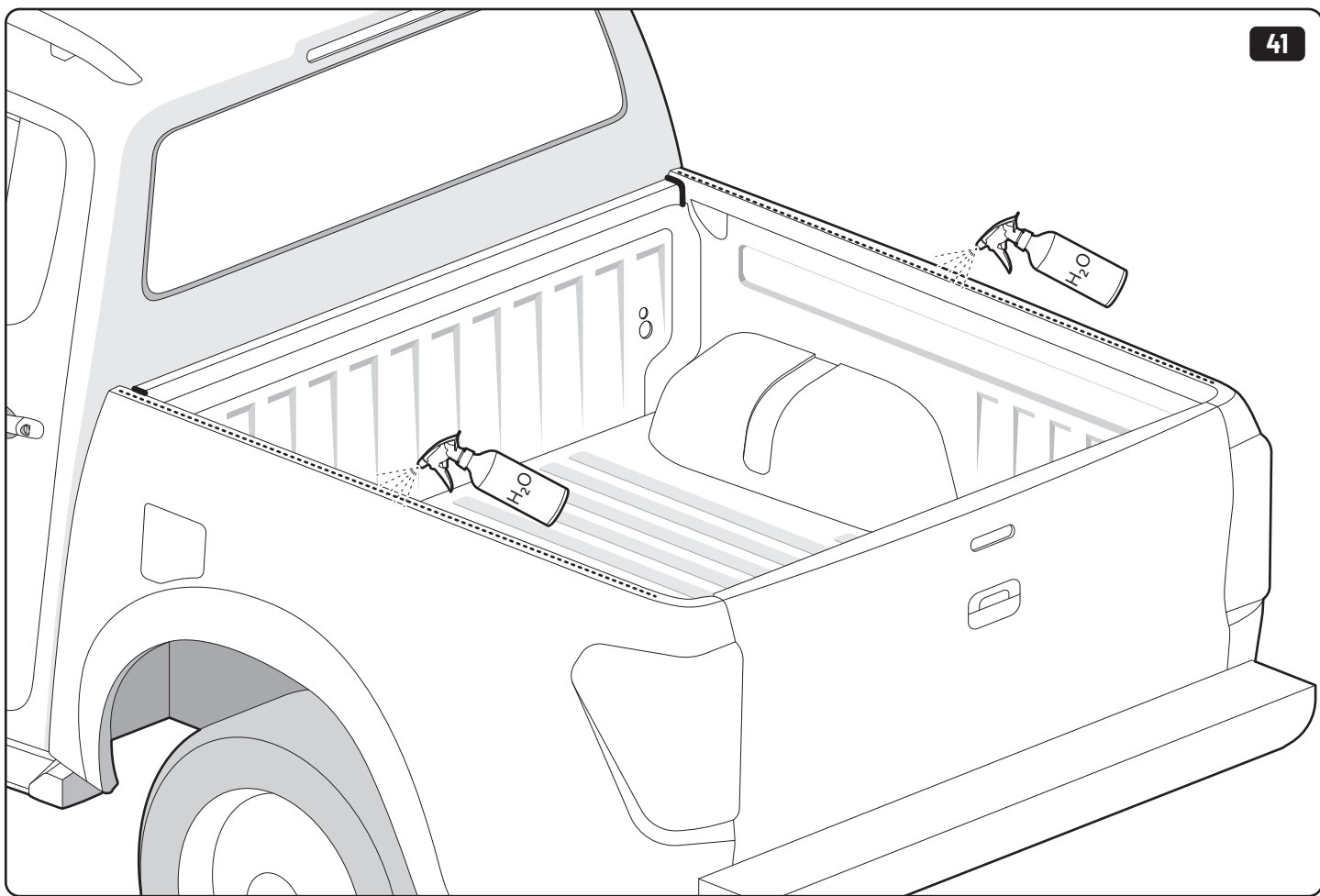


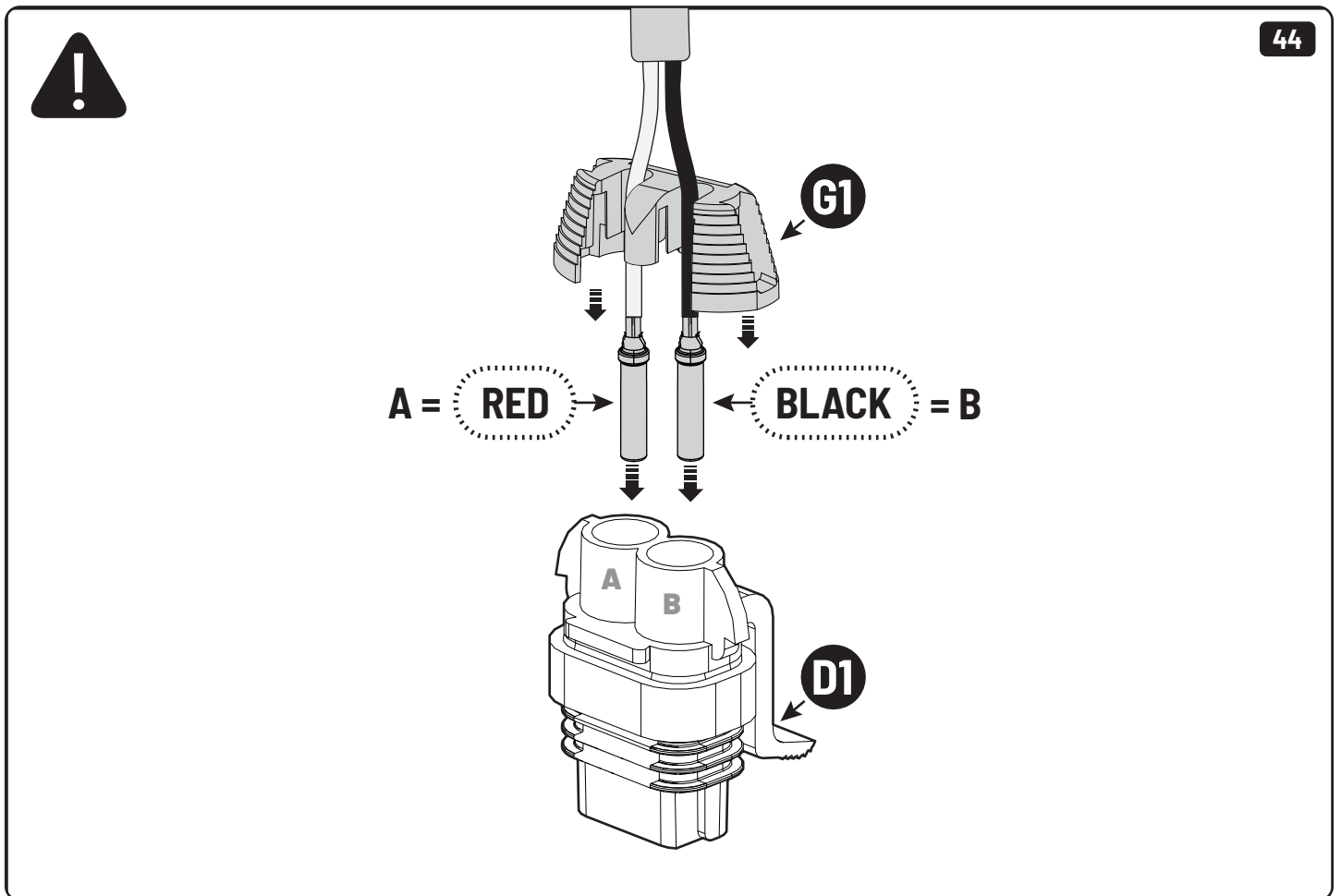
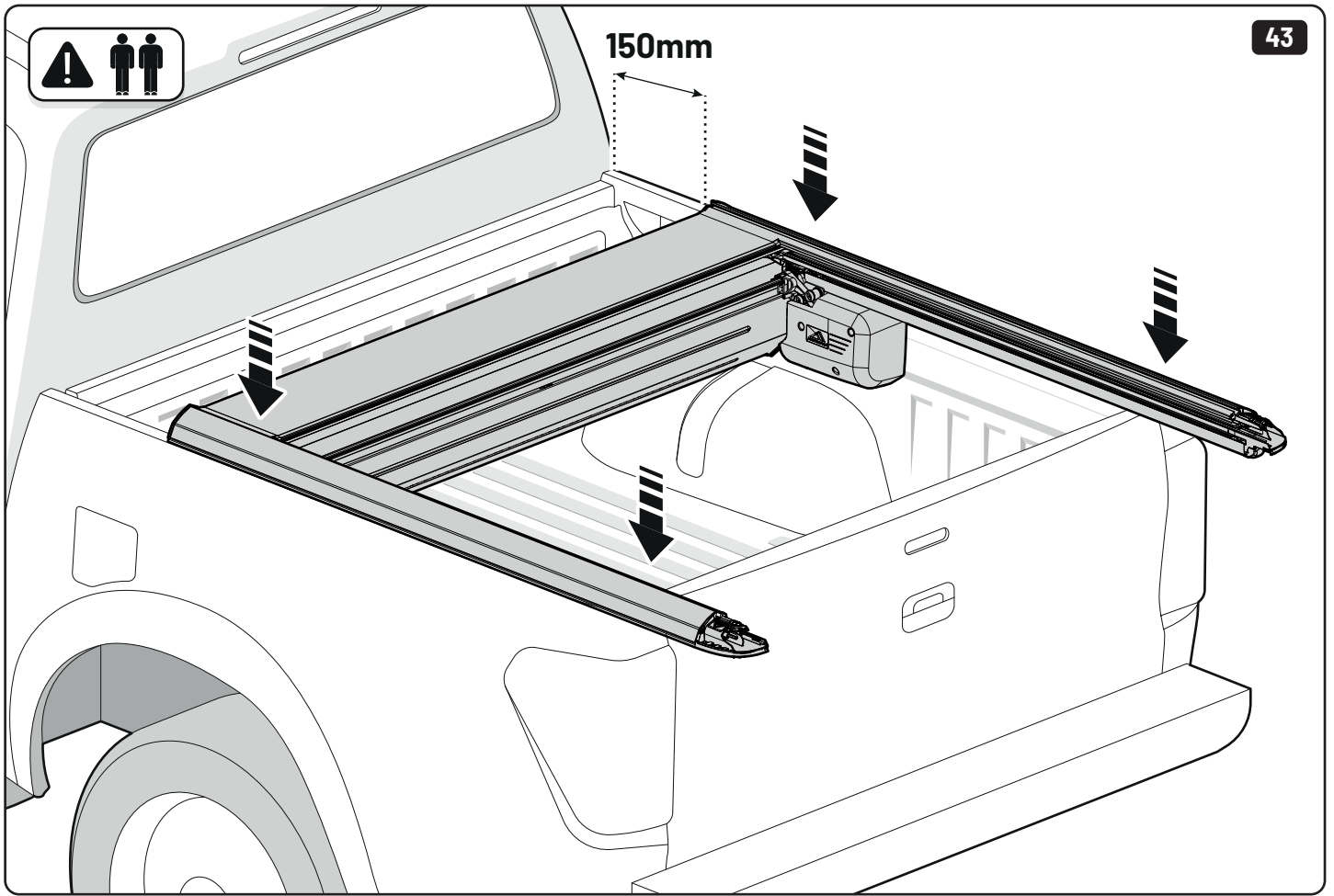


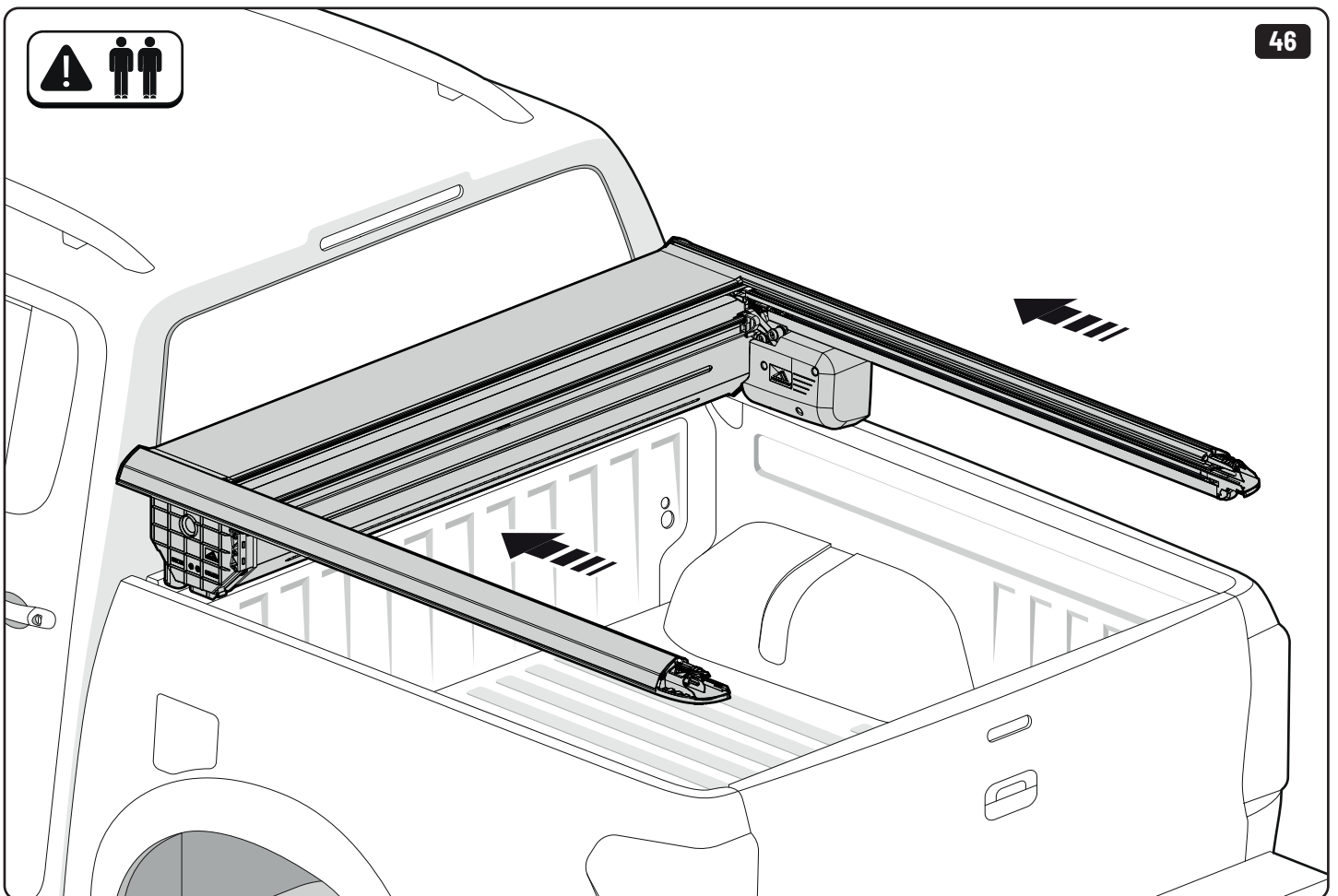
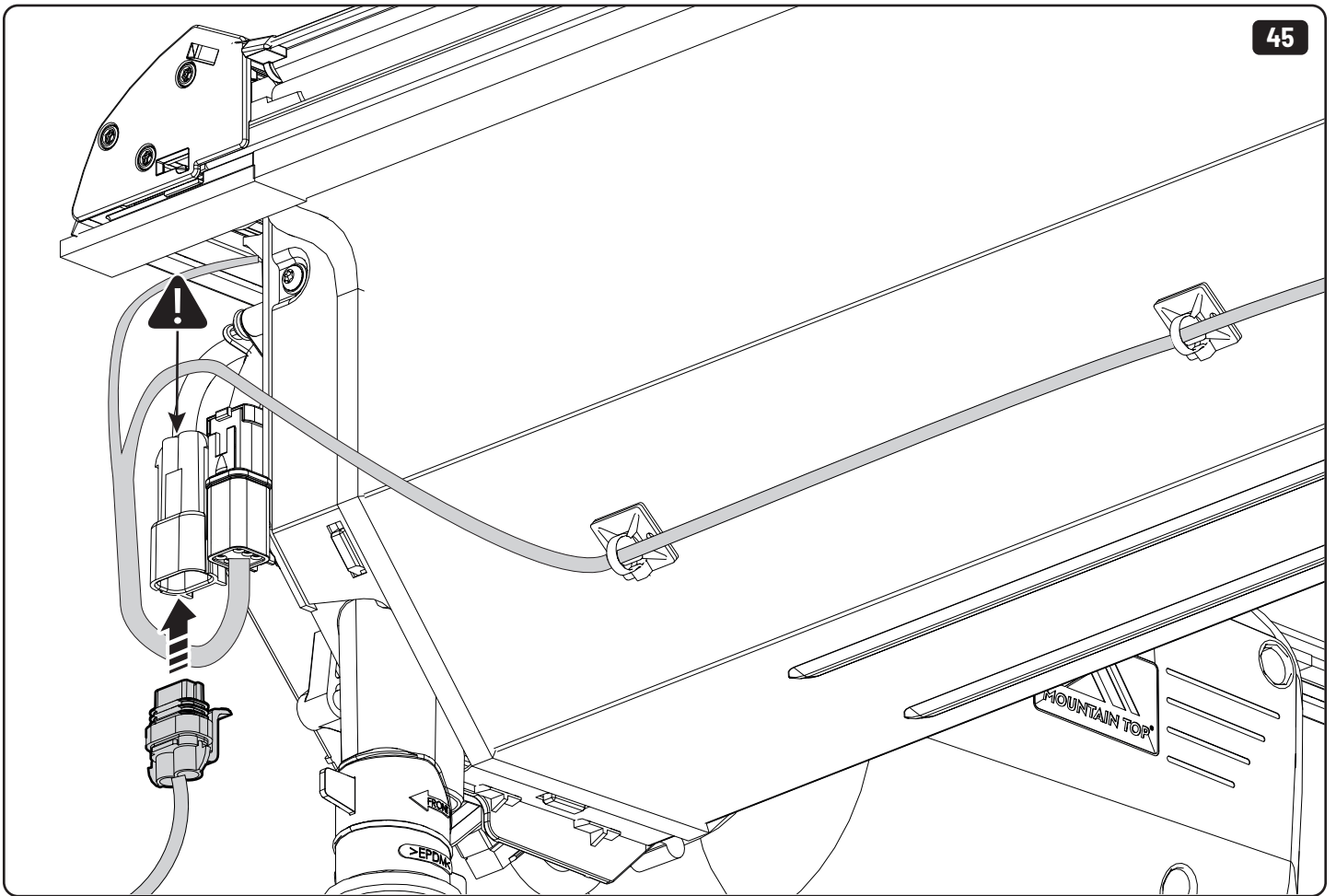


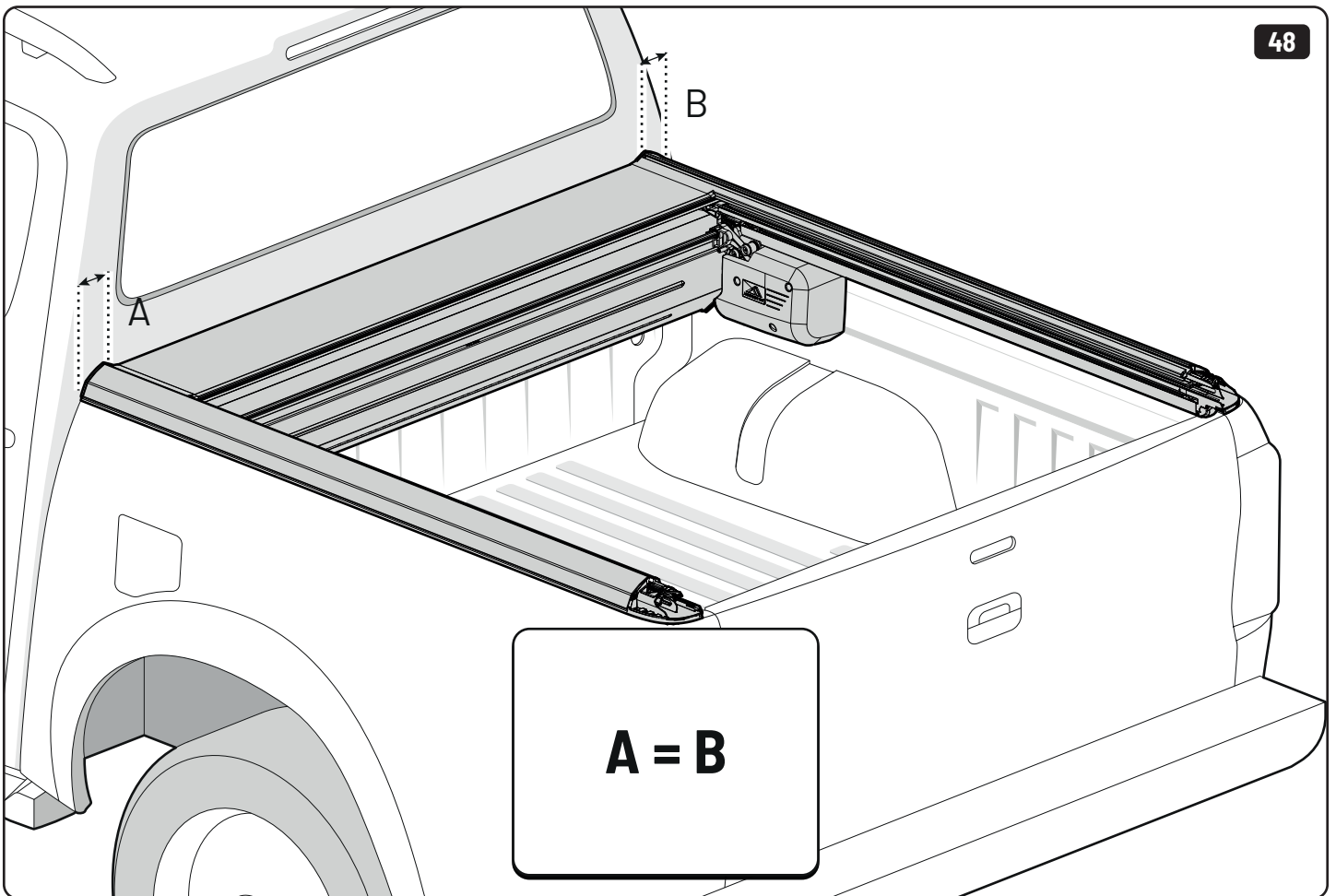
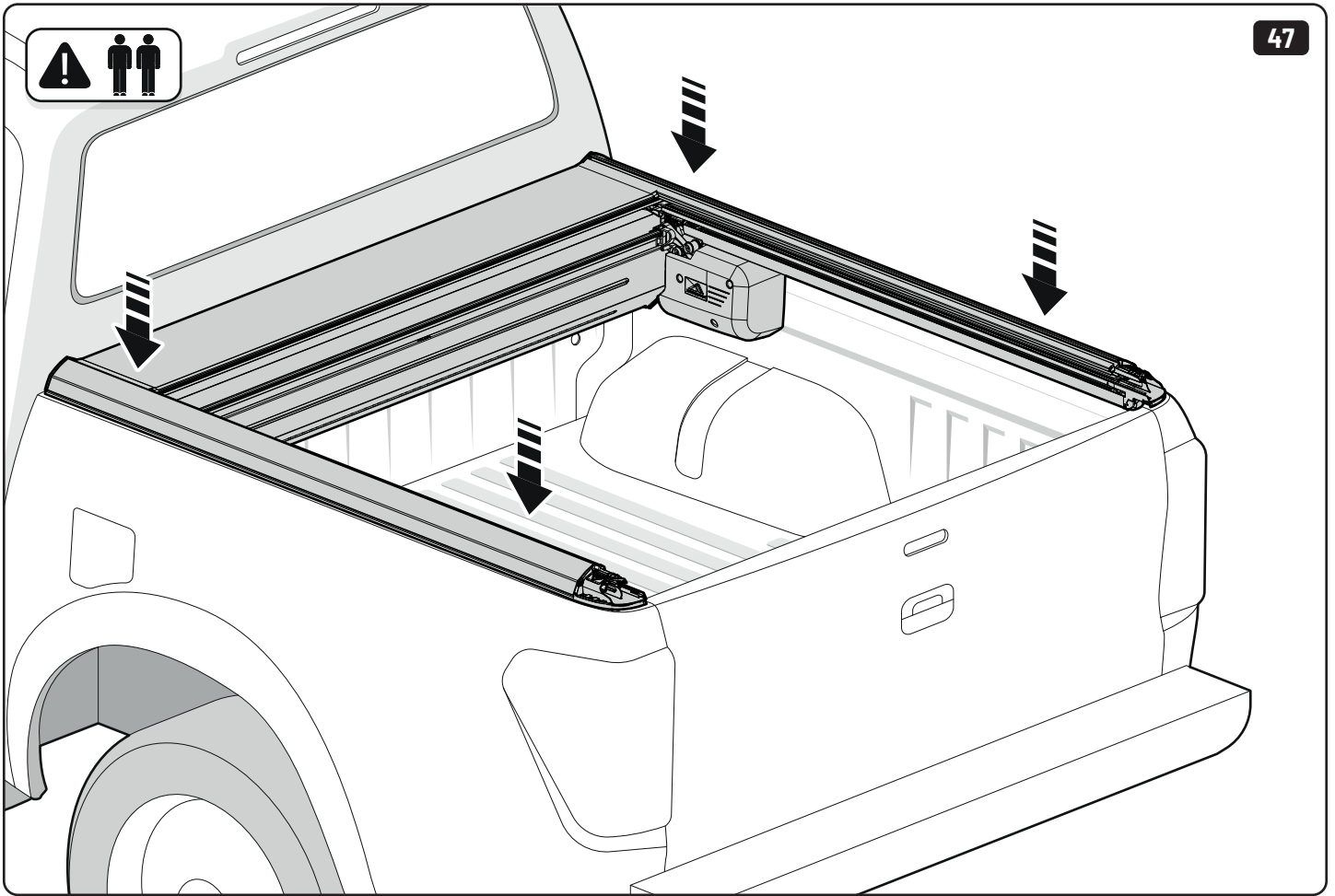


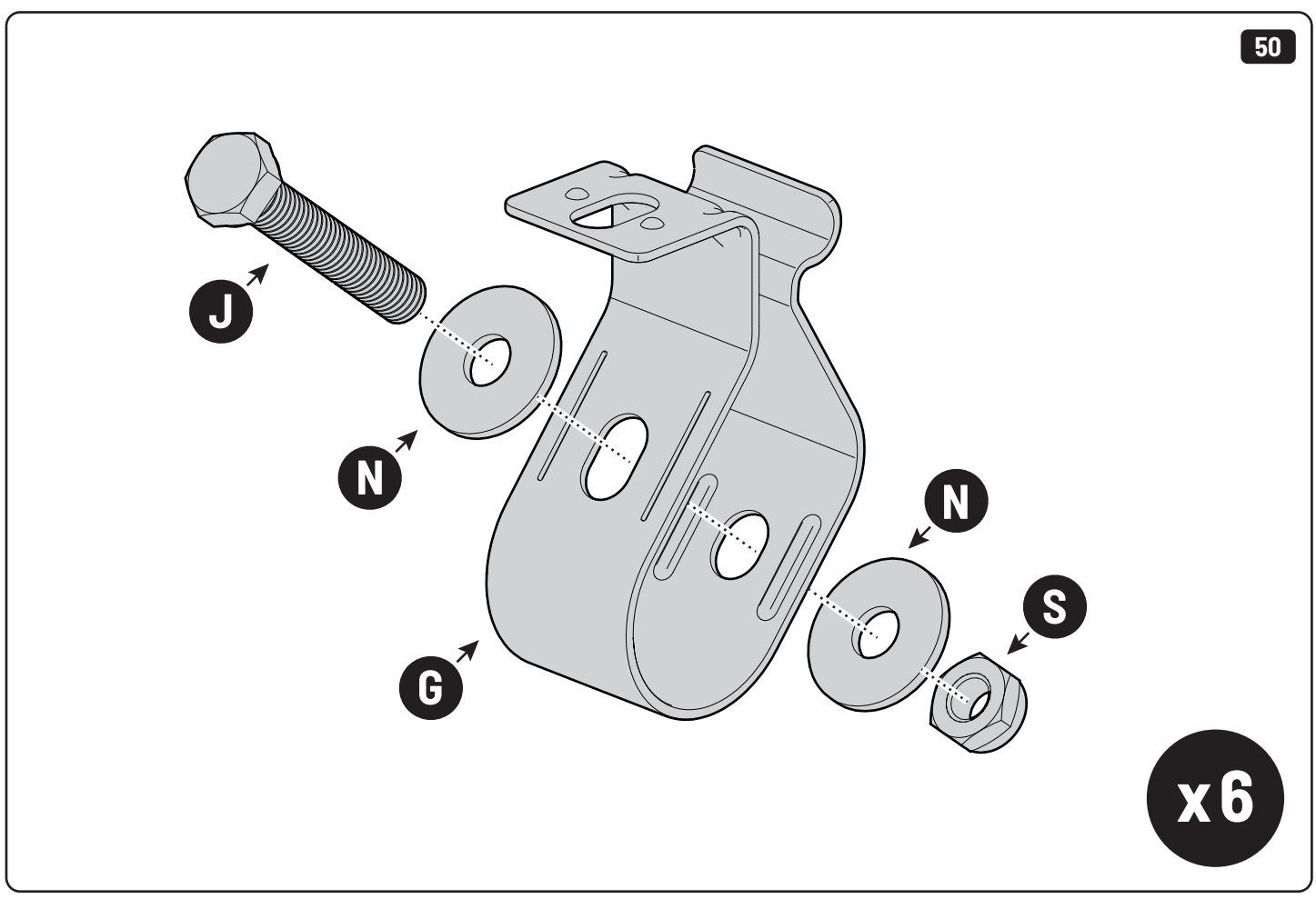
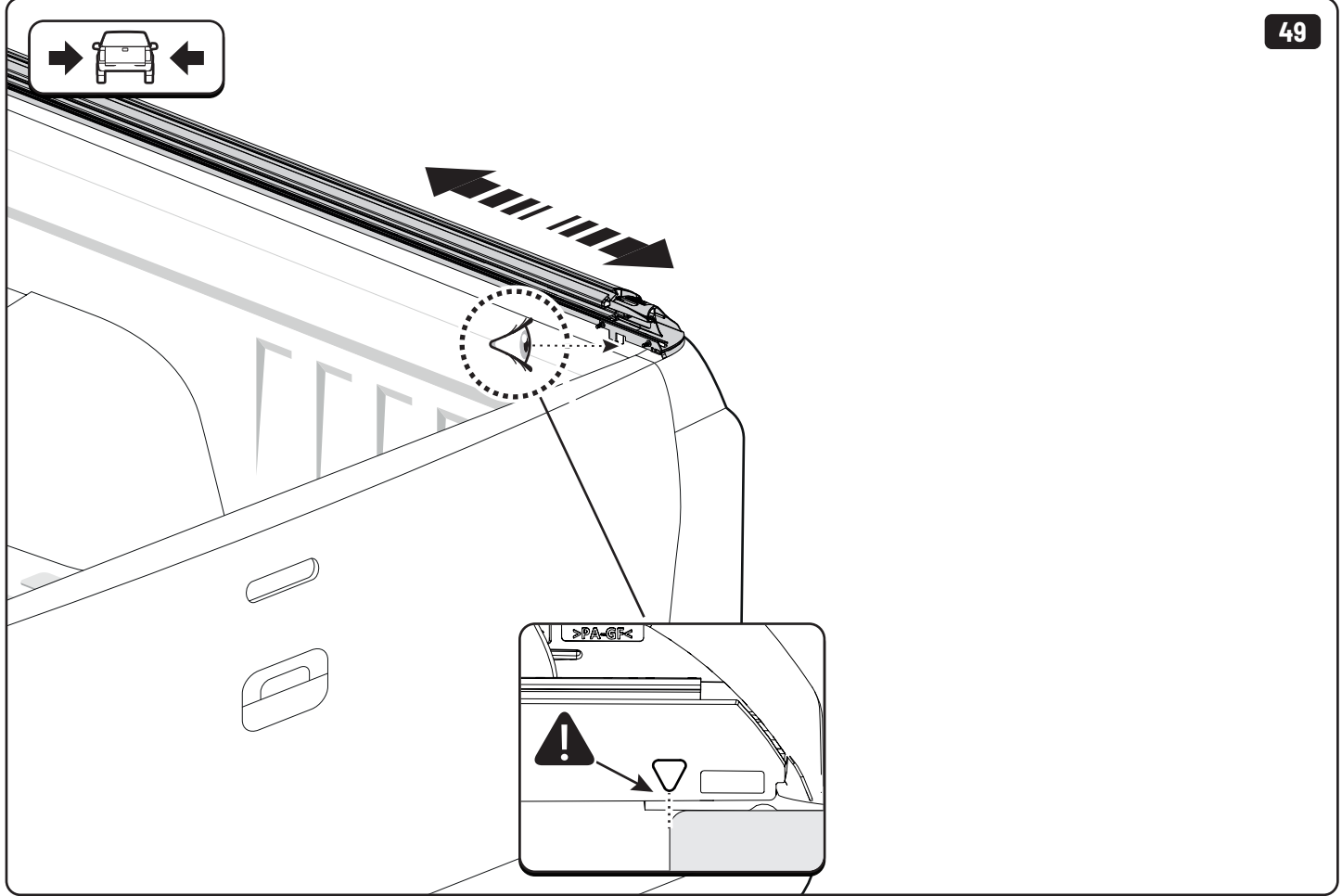


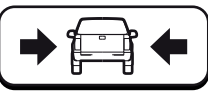
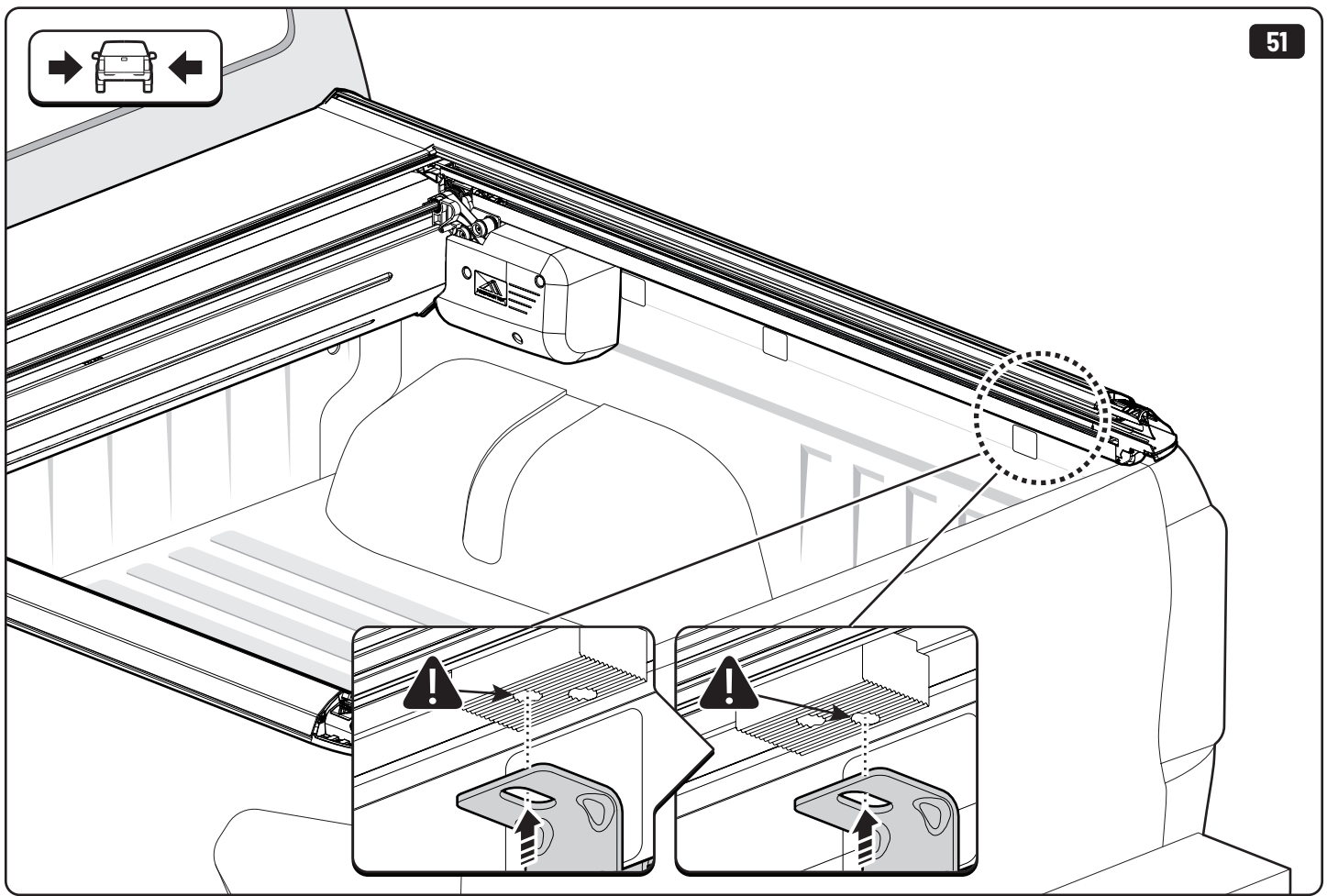




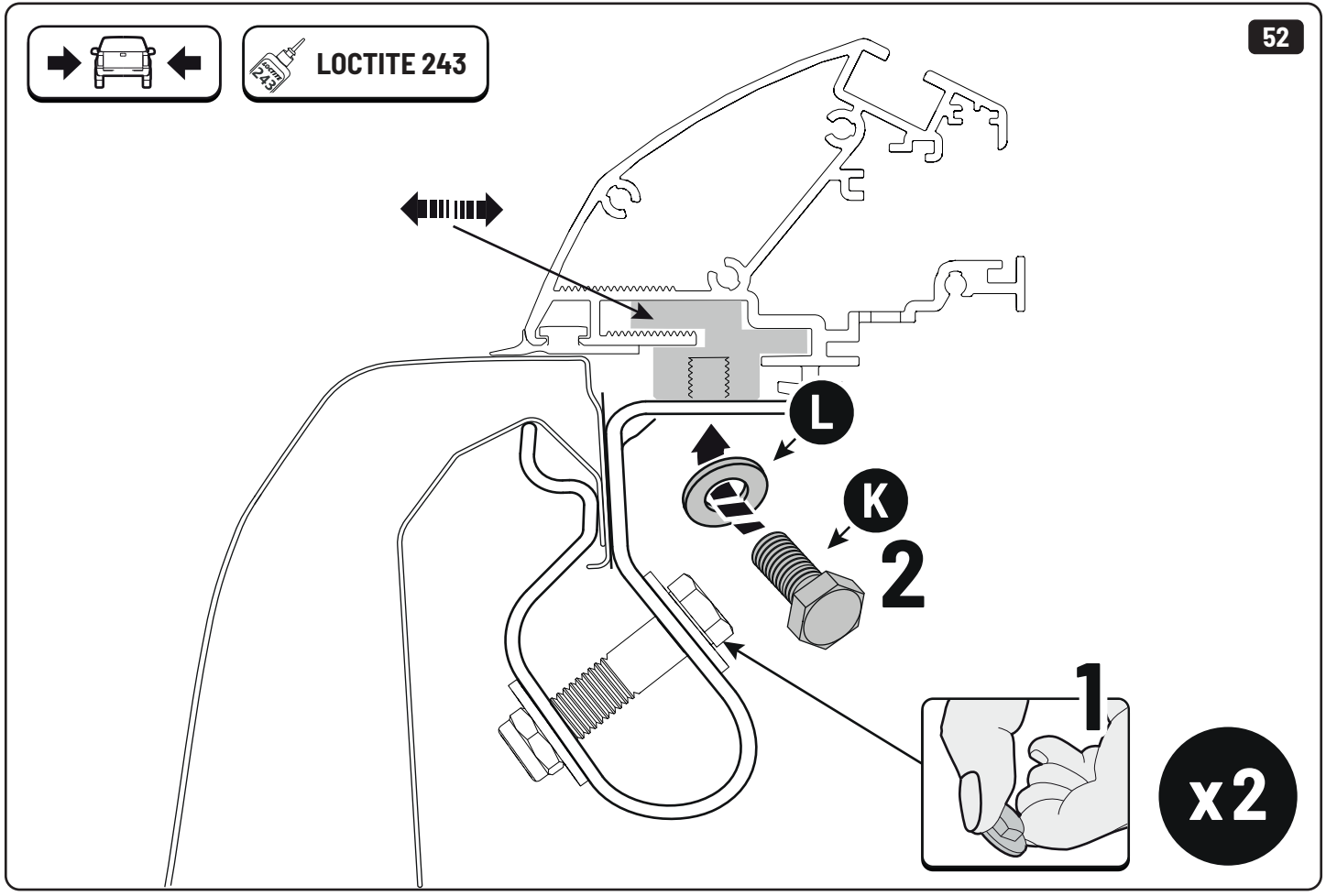


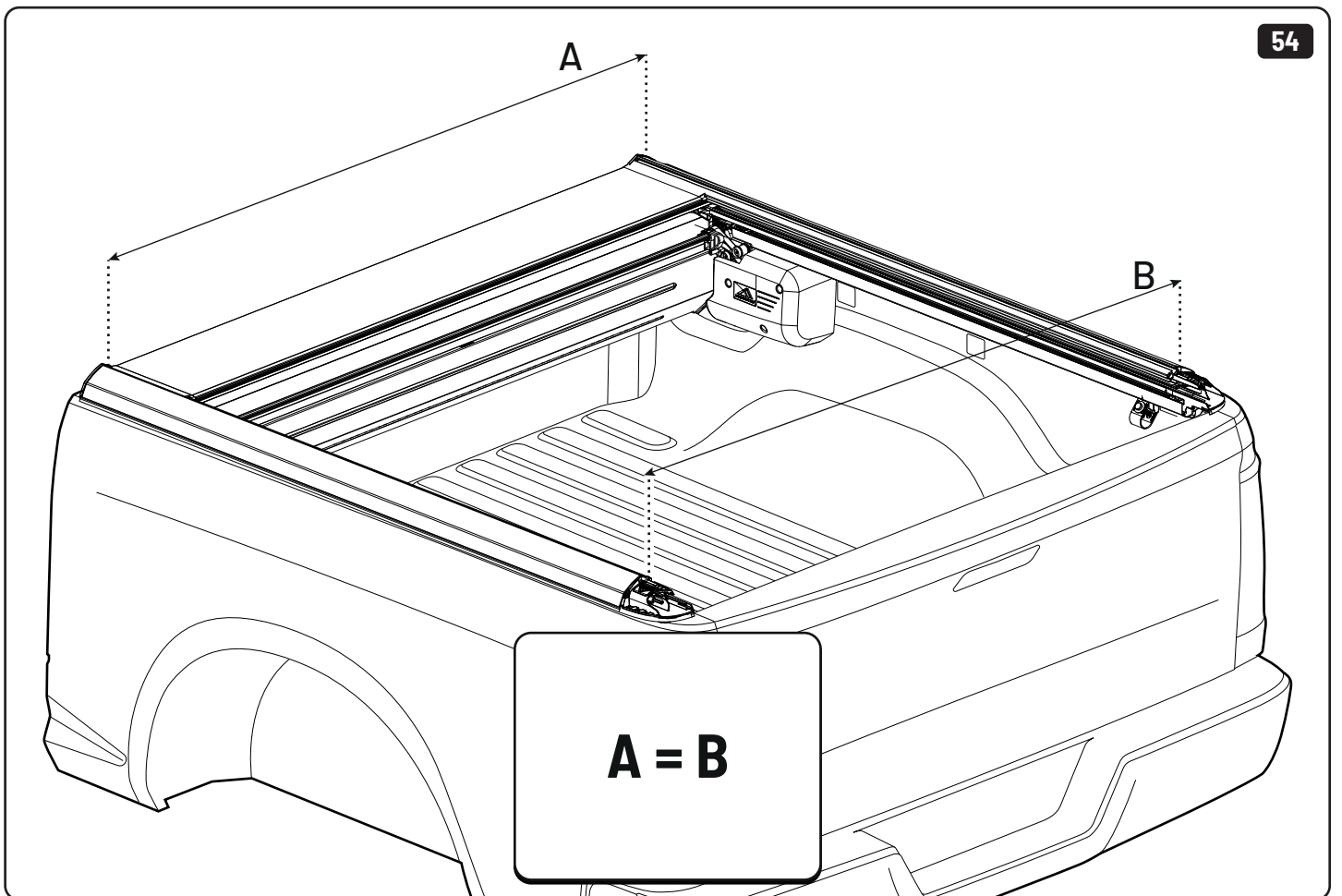
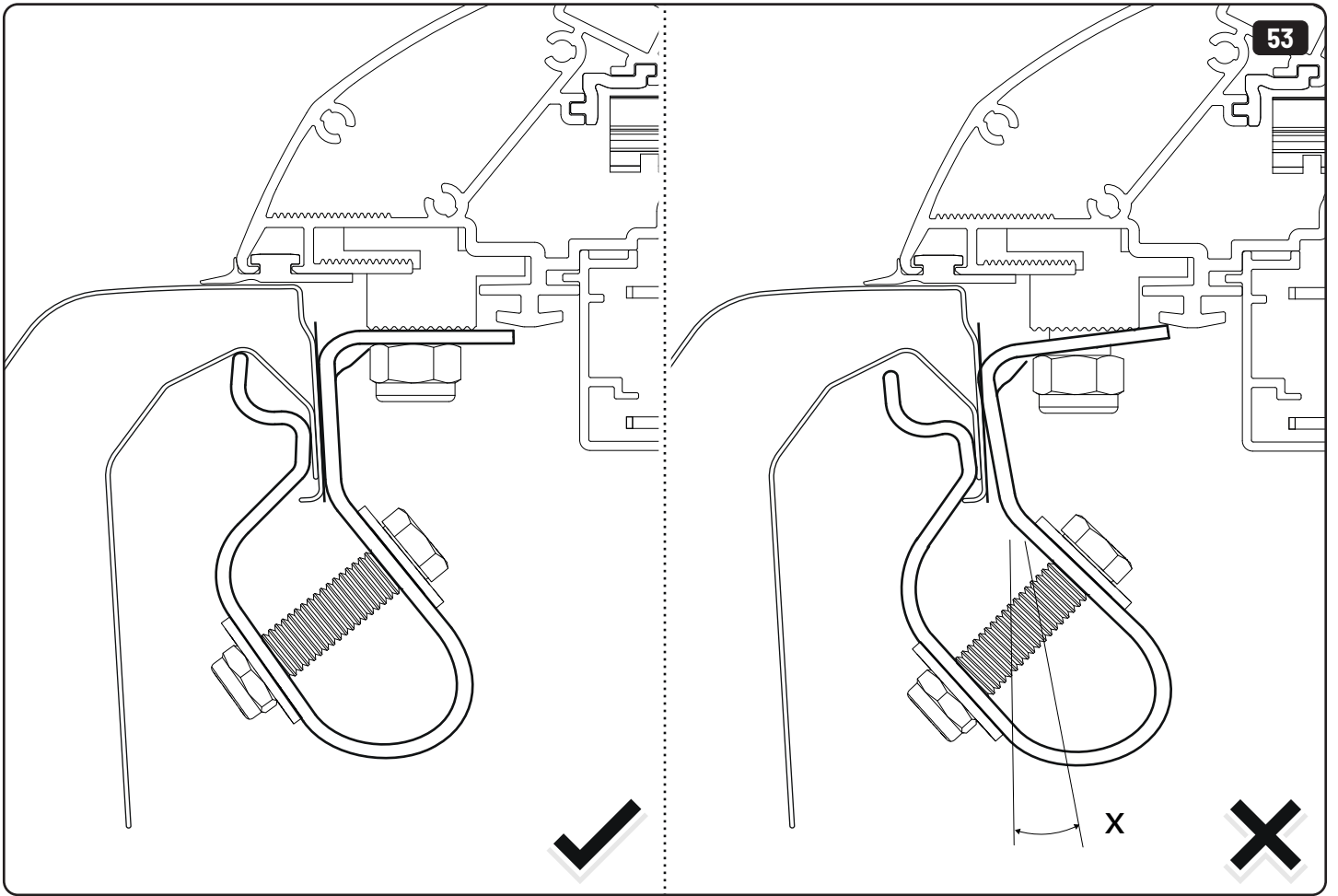


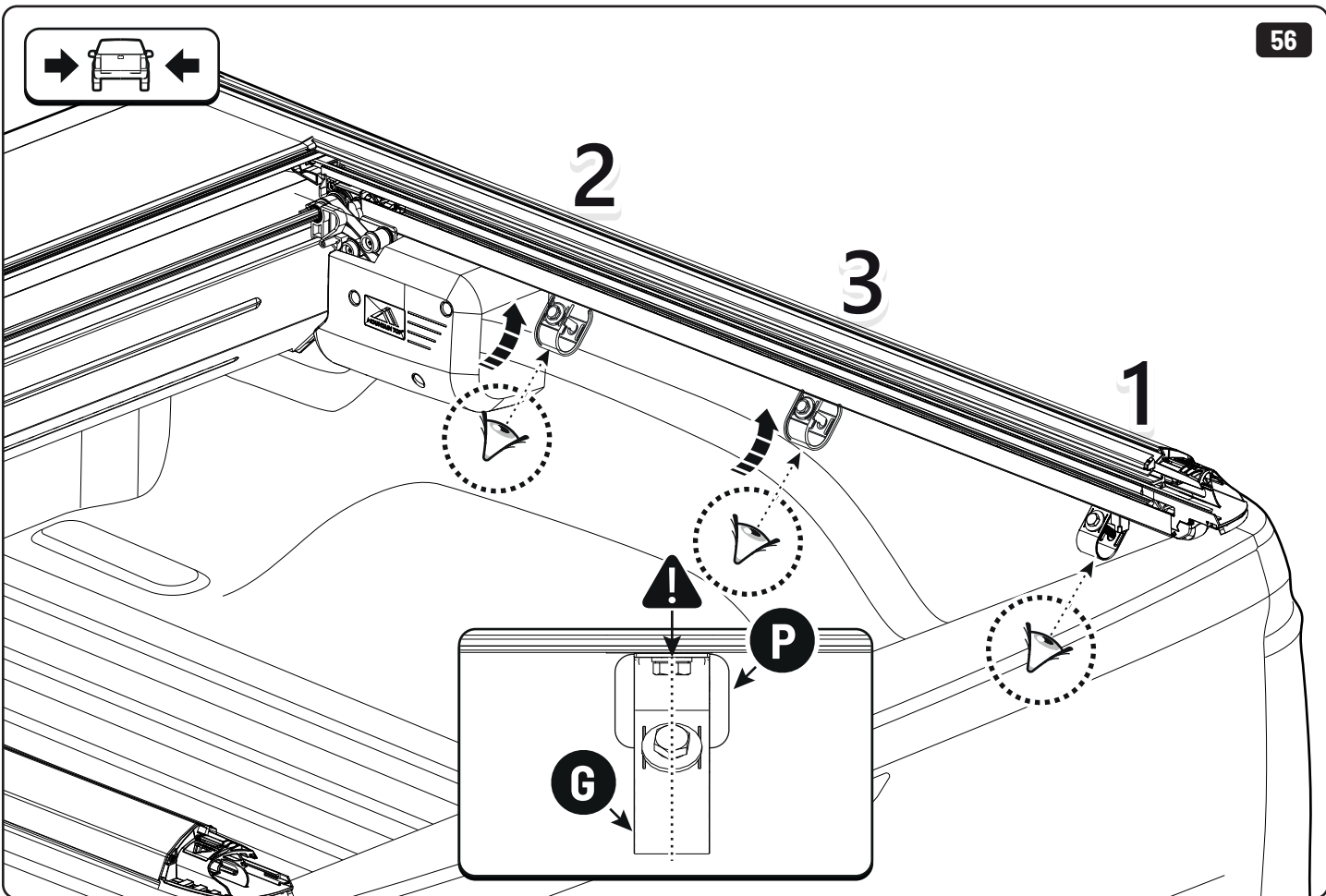
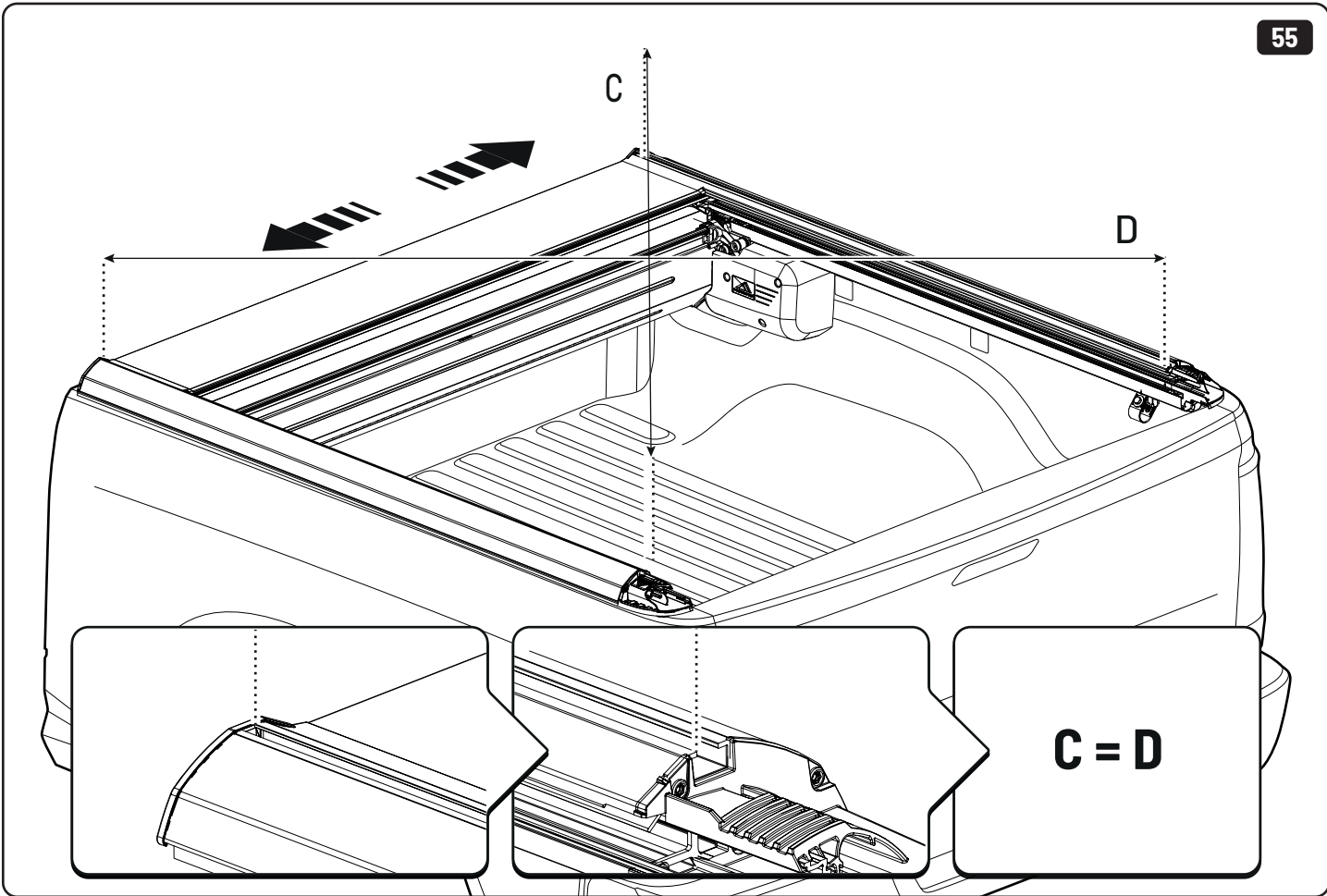


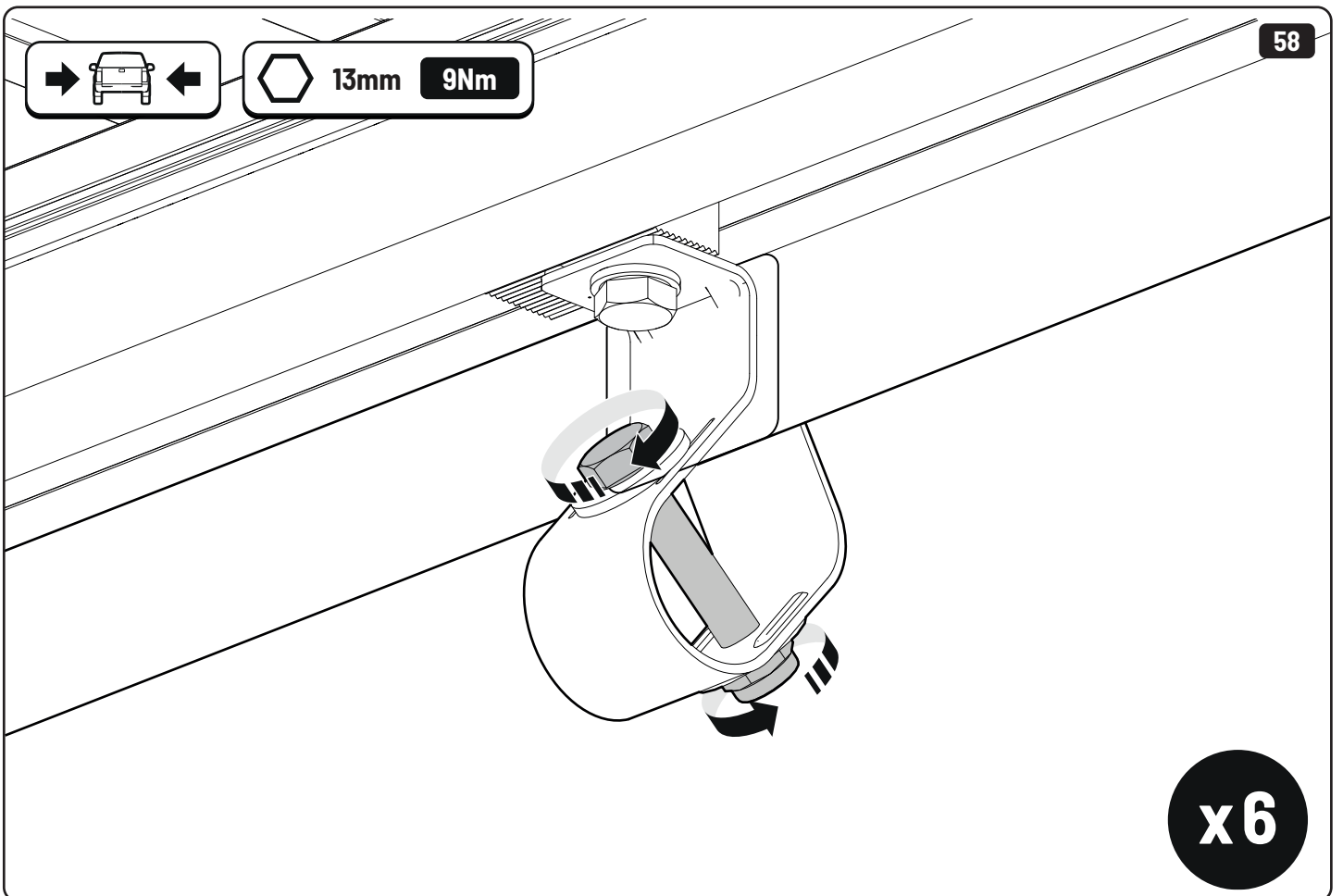
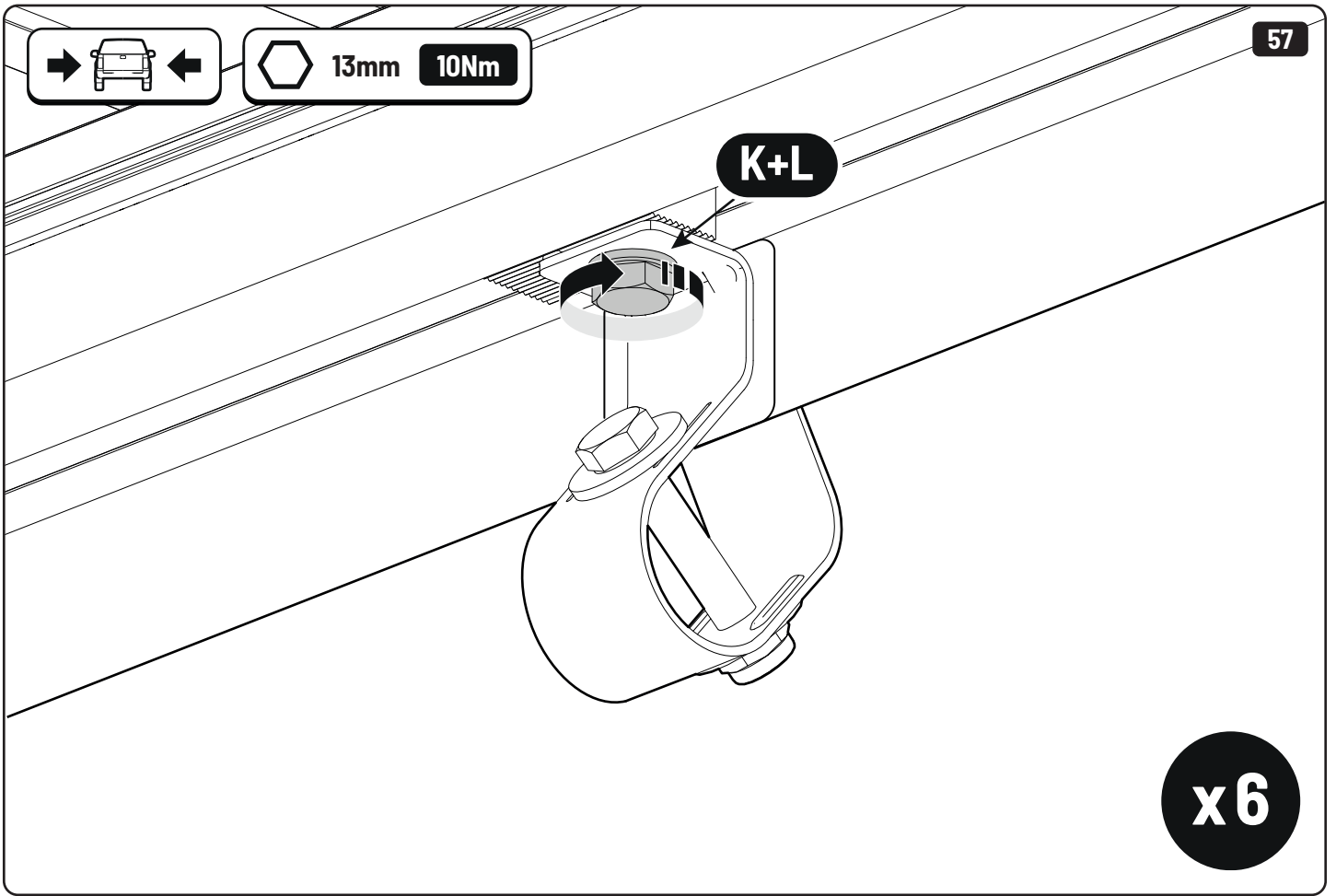


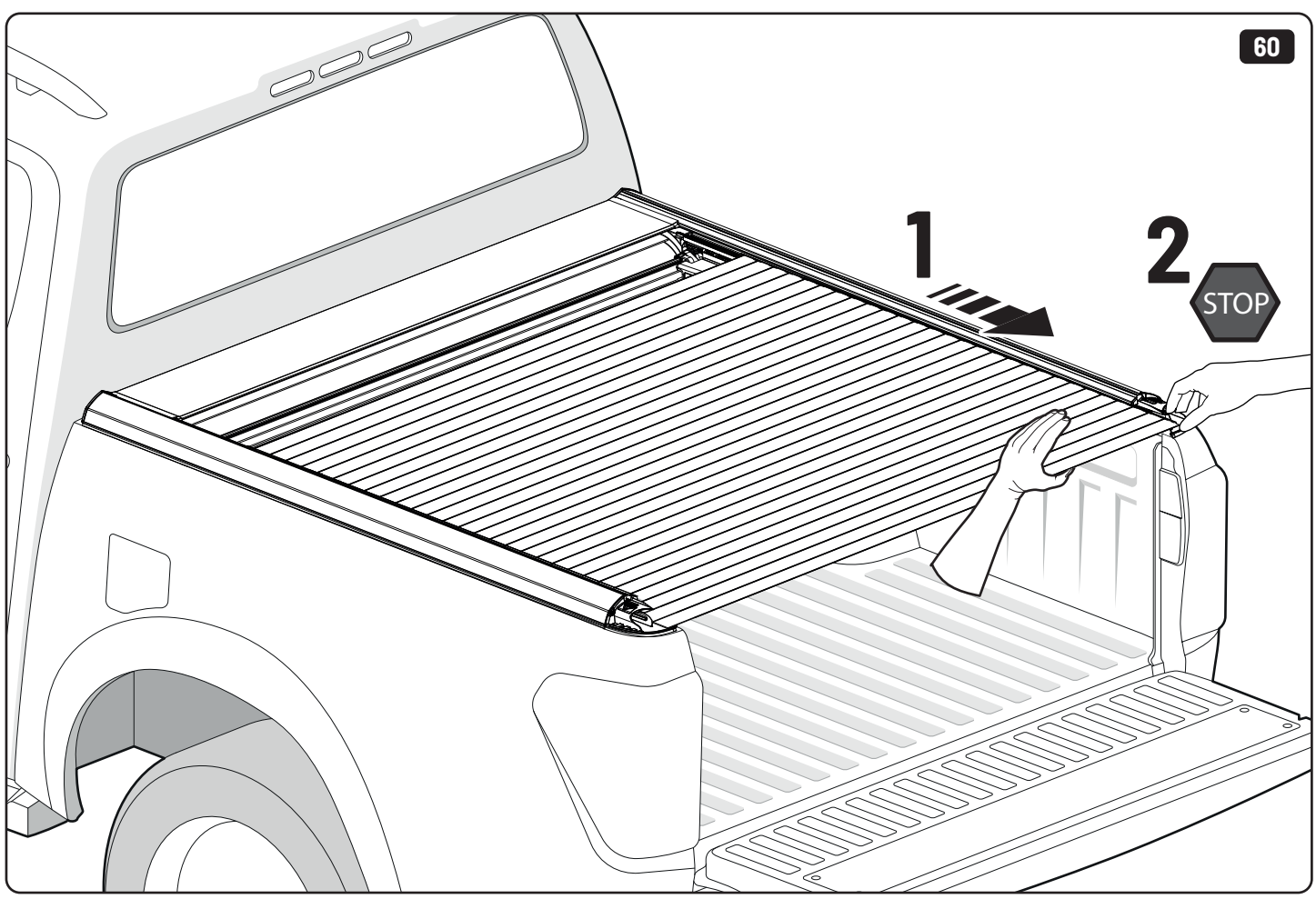
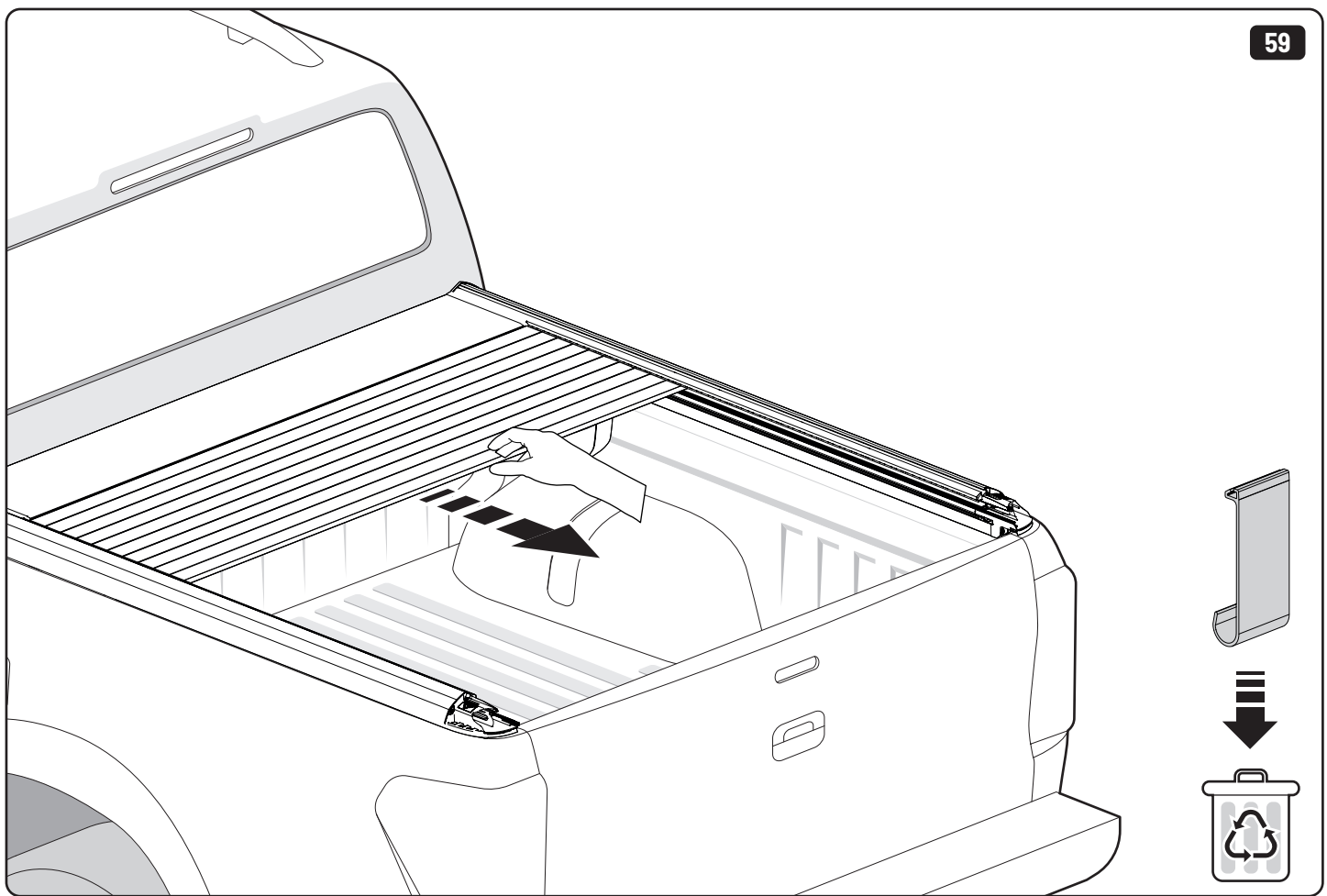
LOCTITE 243

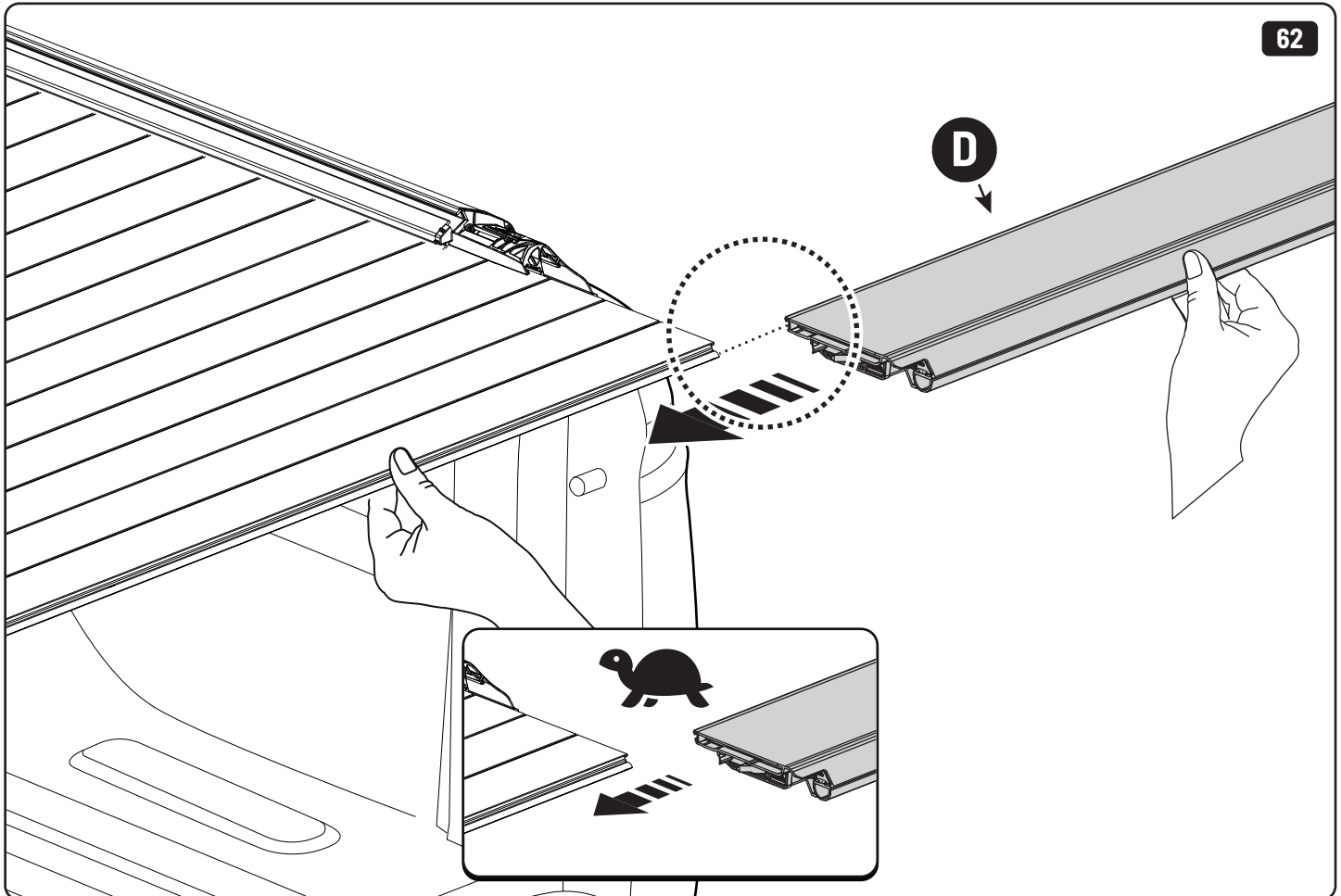
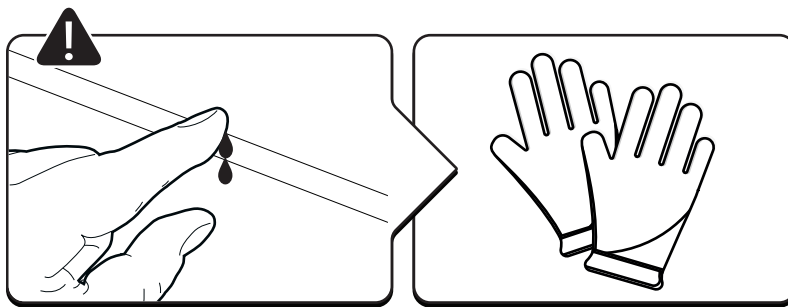
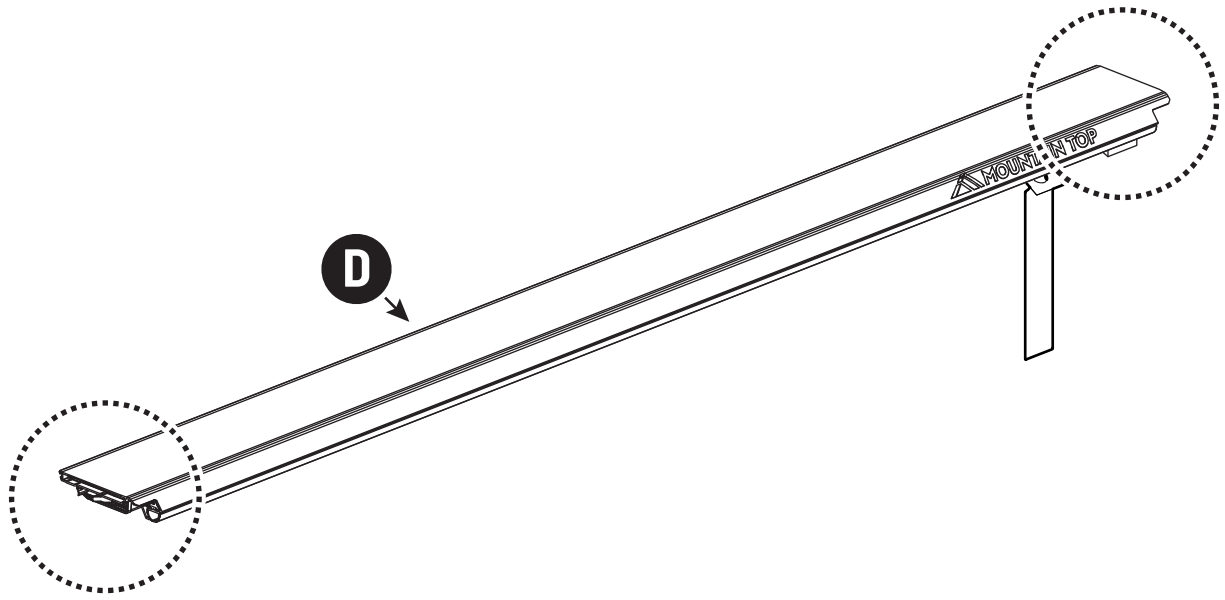


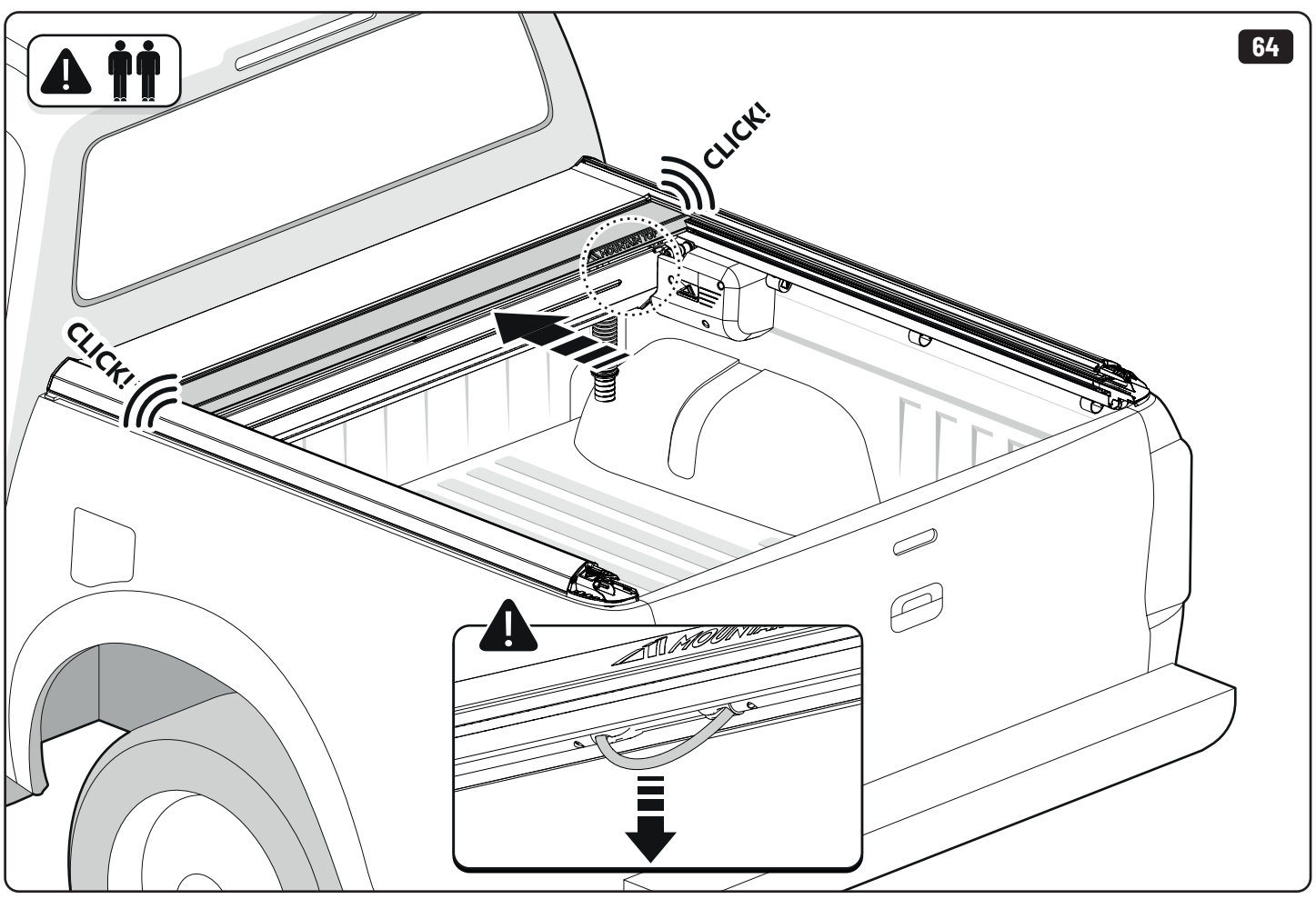
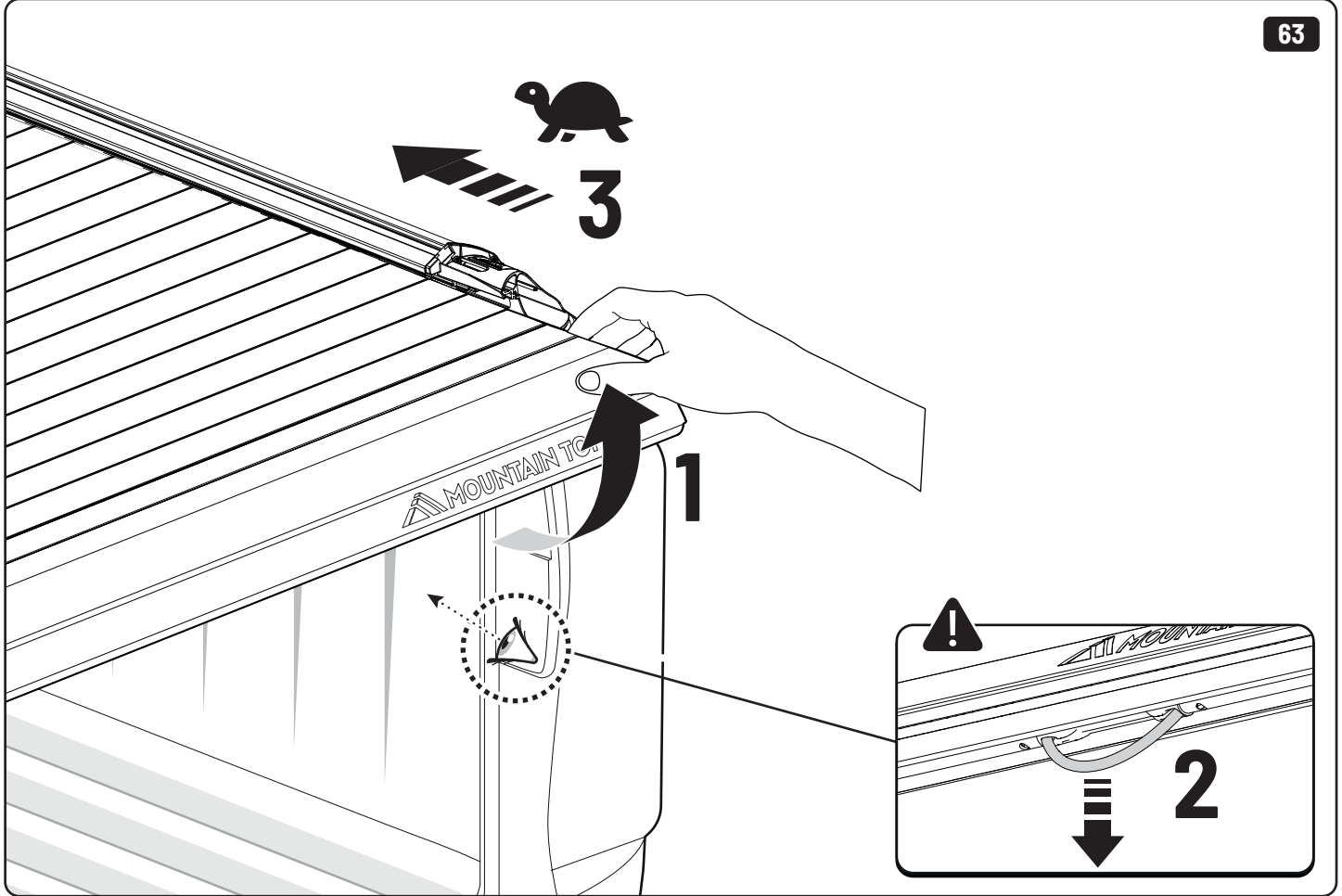


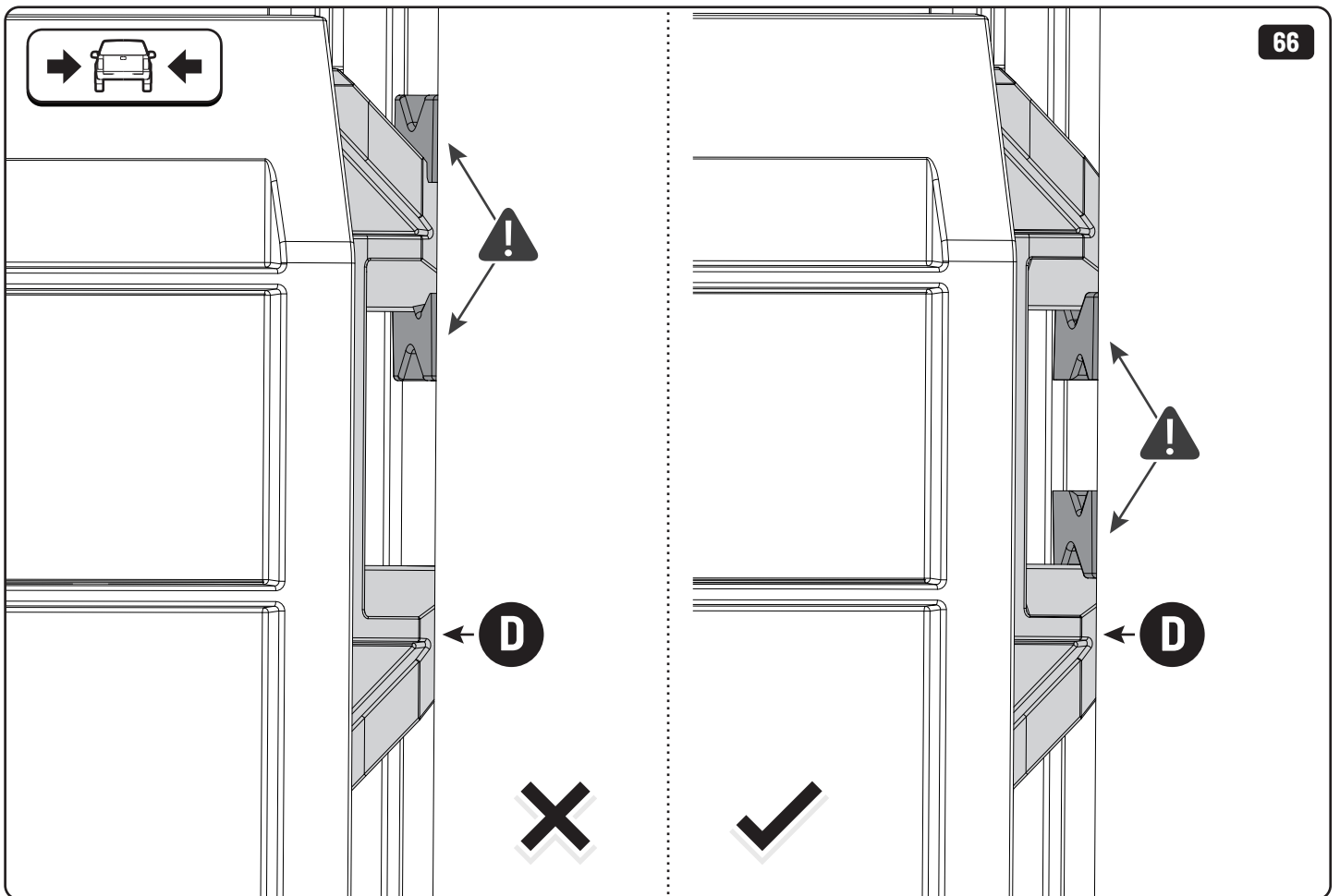
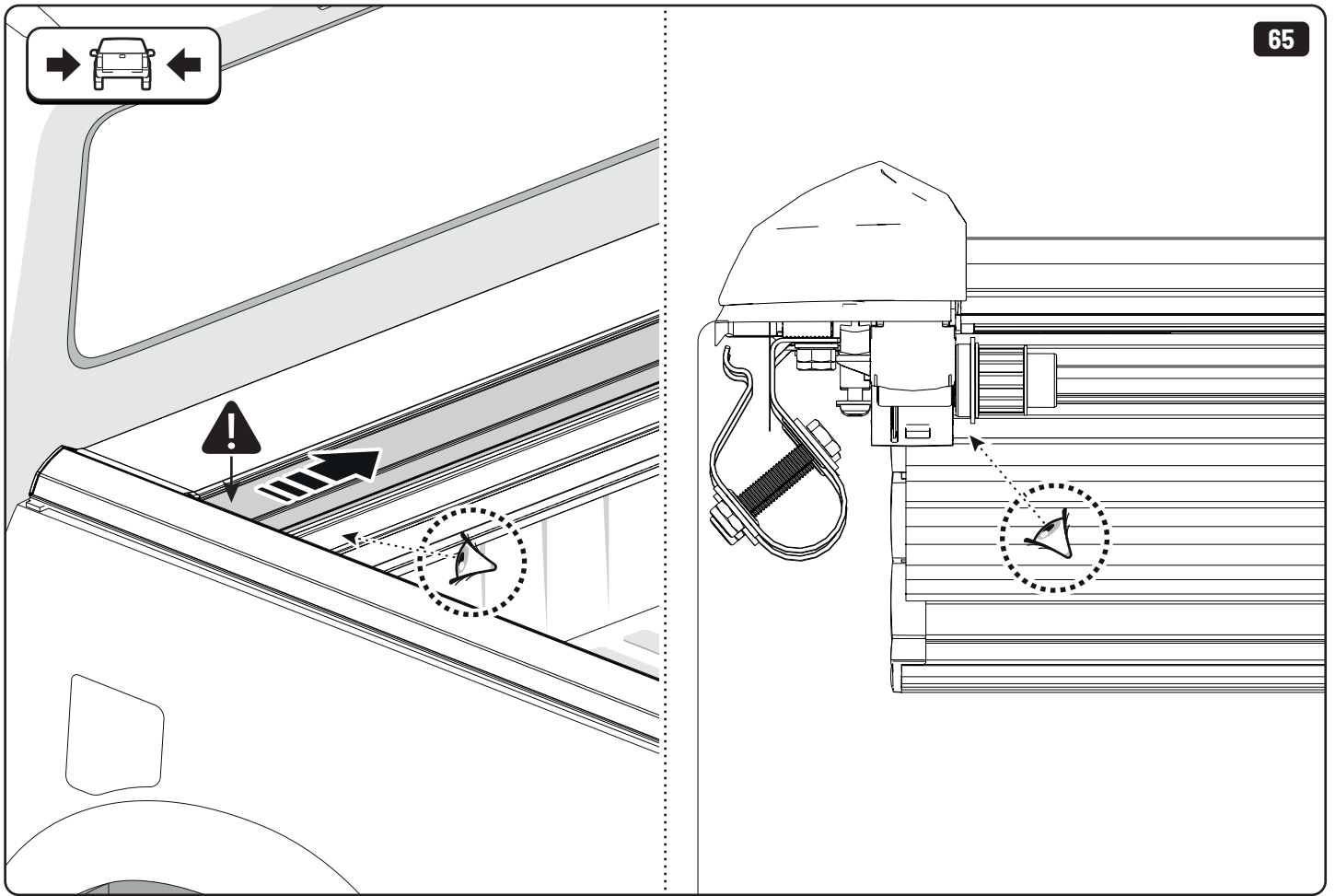


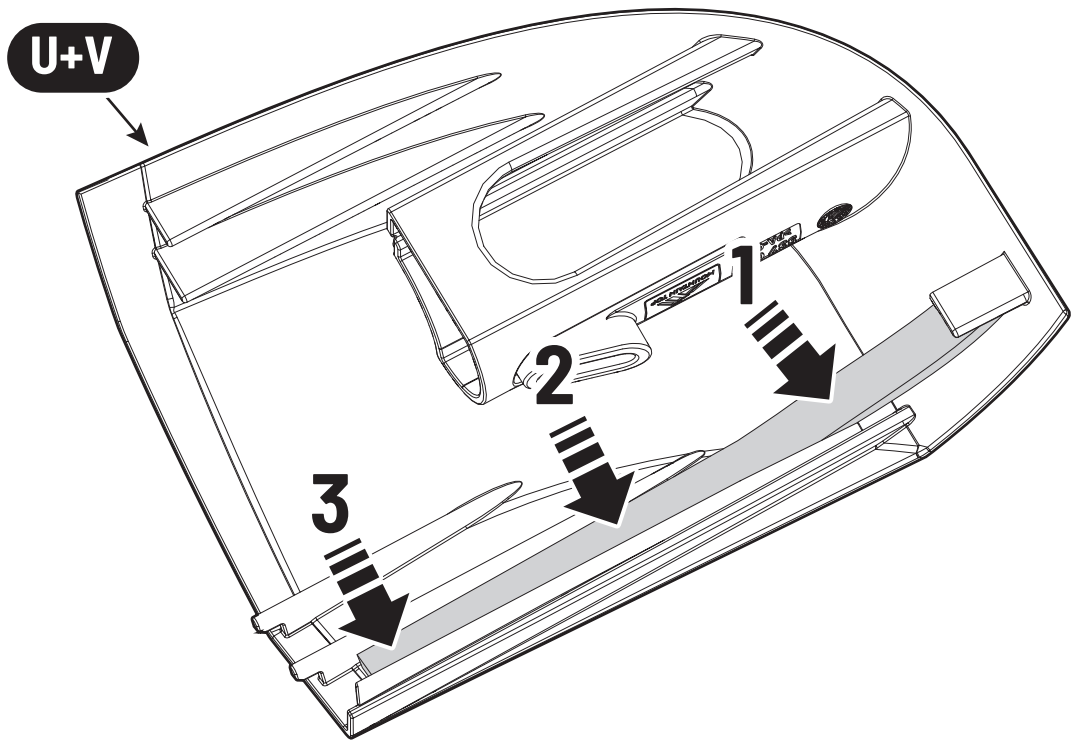
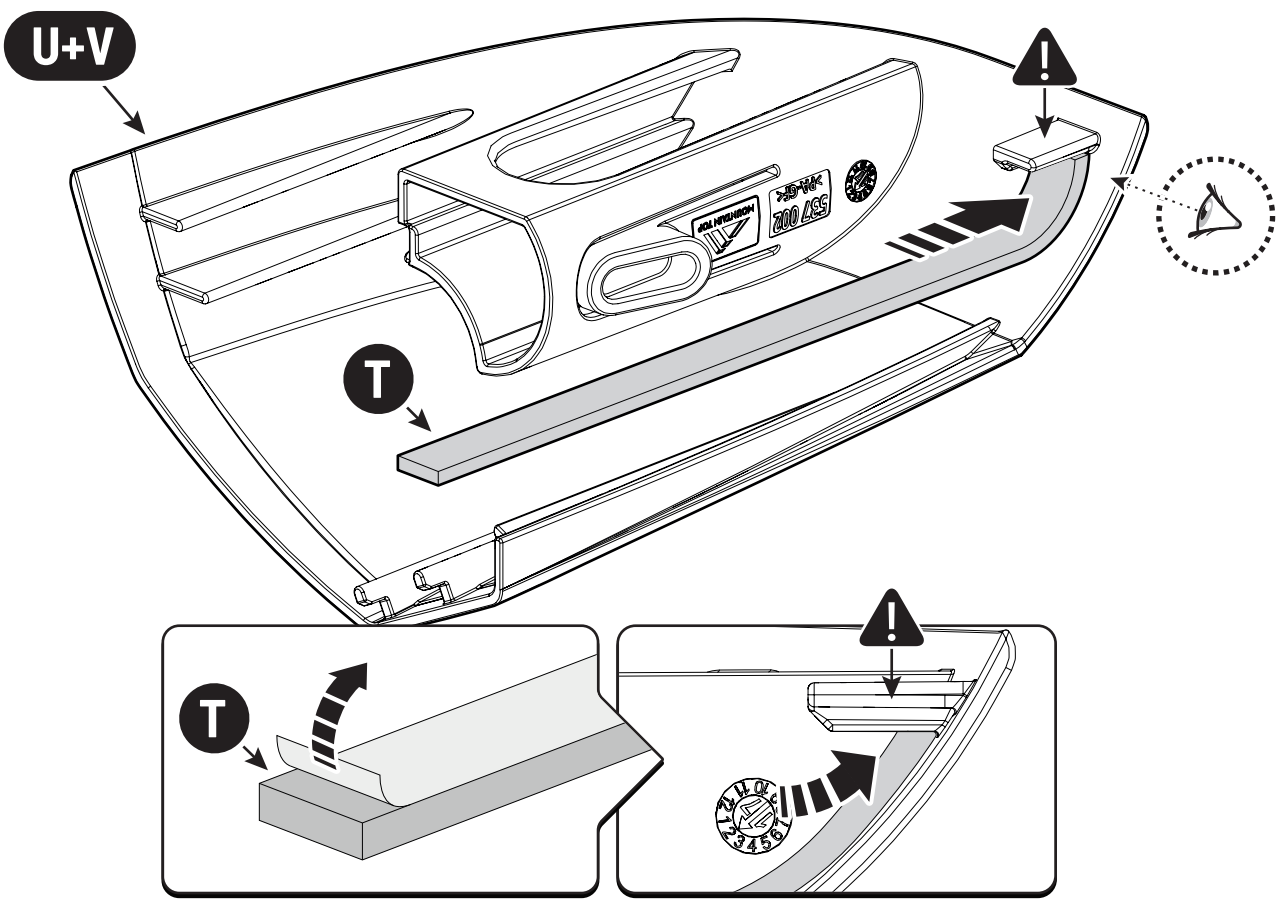


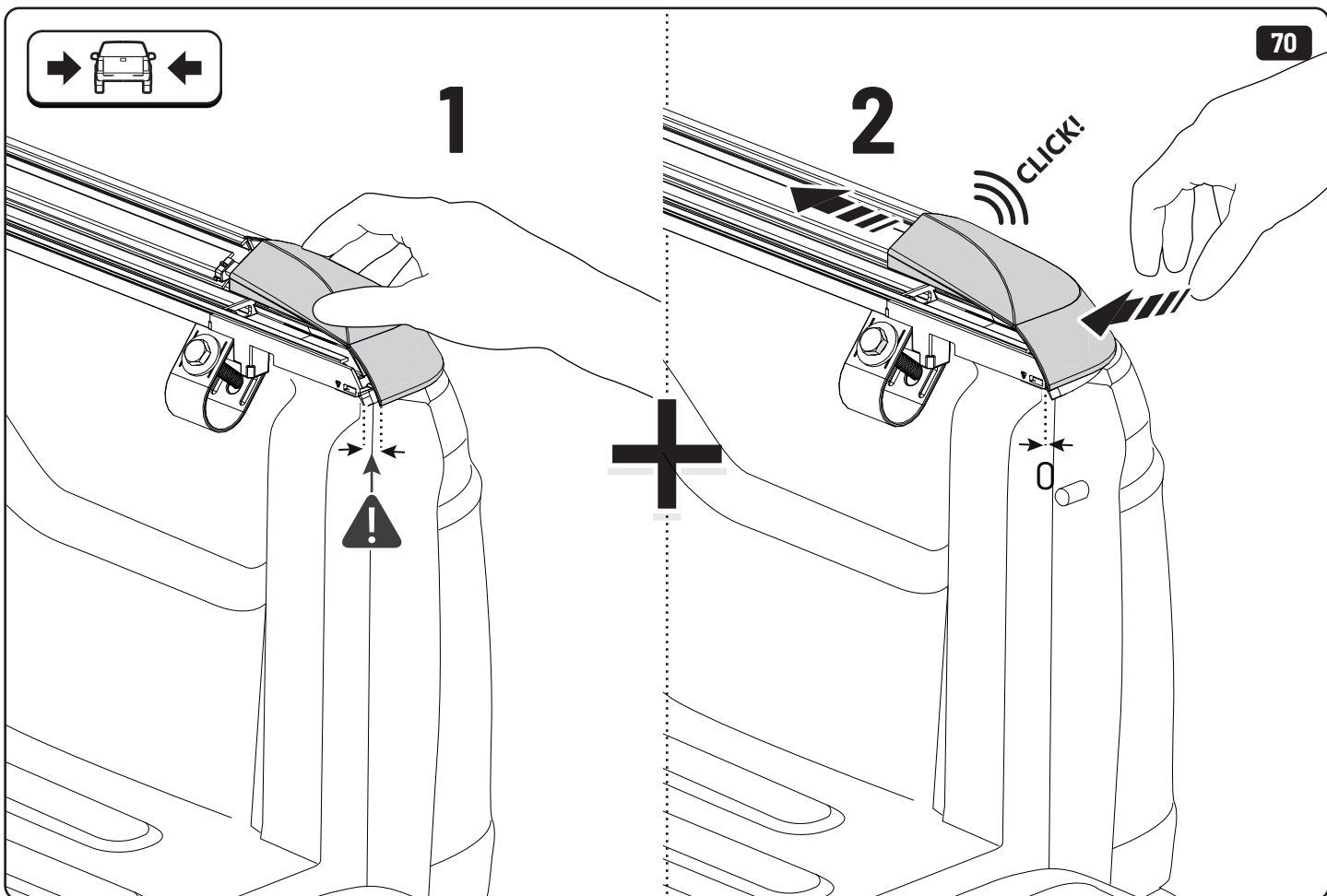
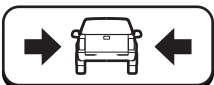
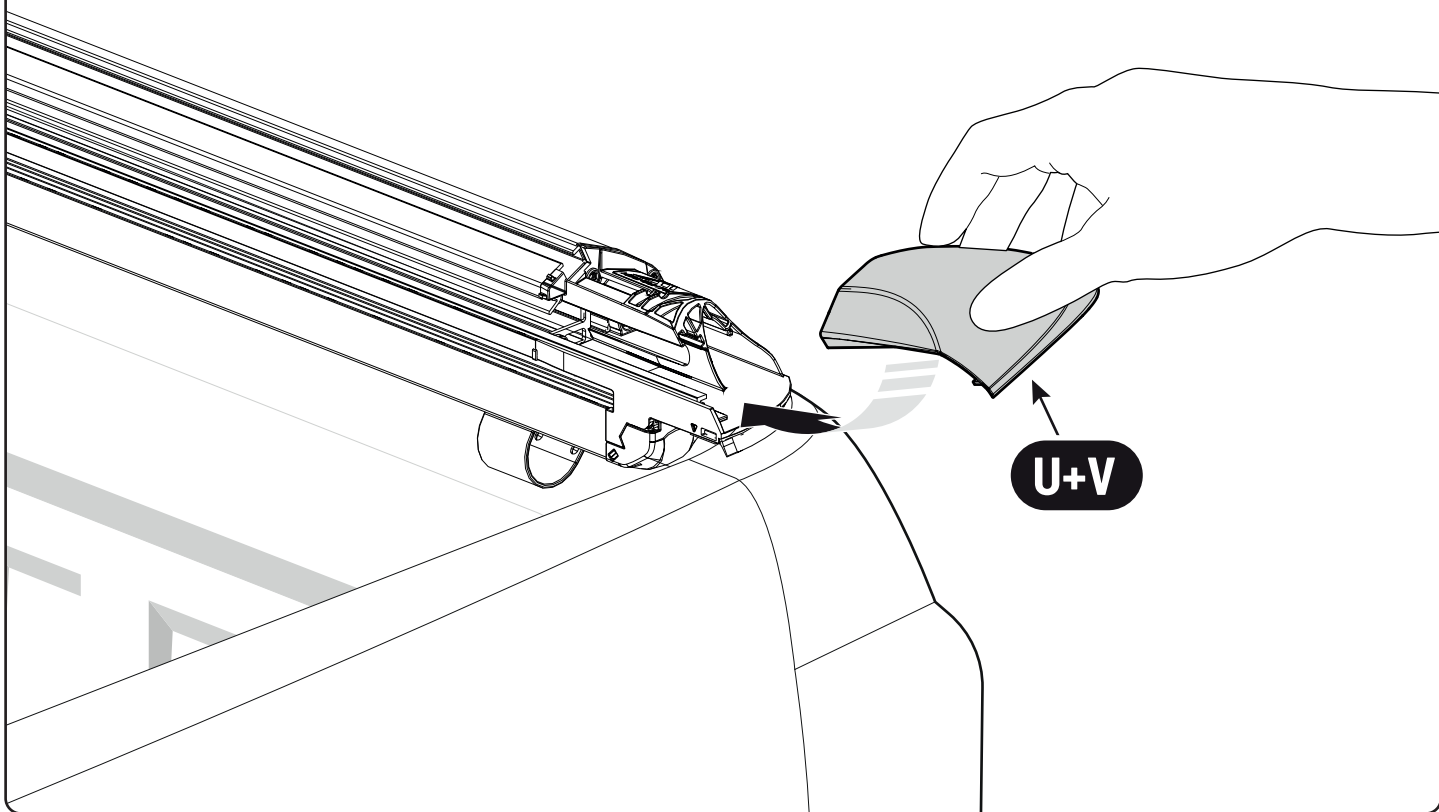


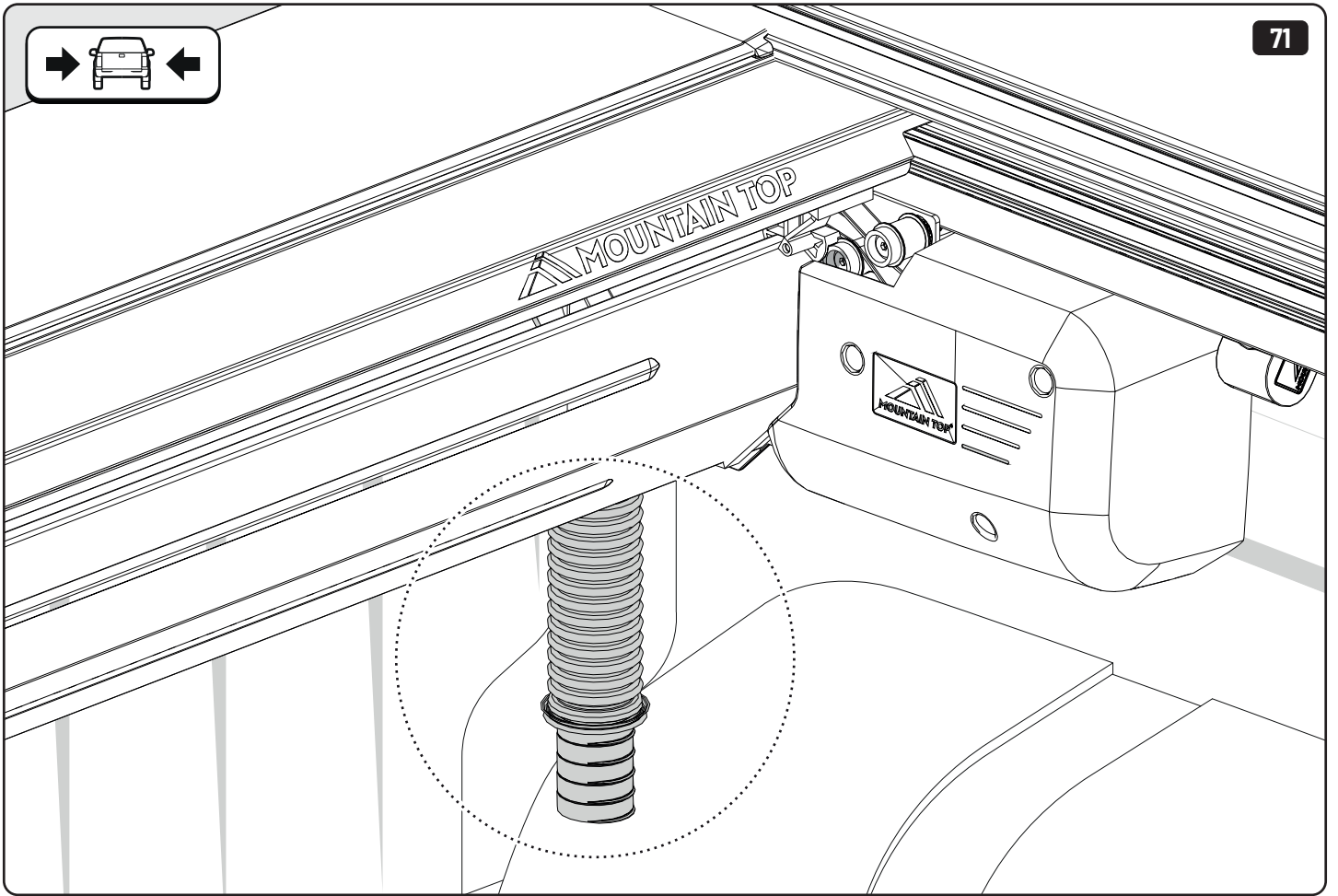


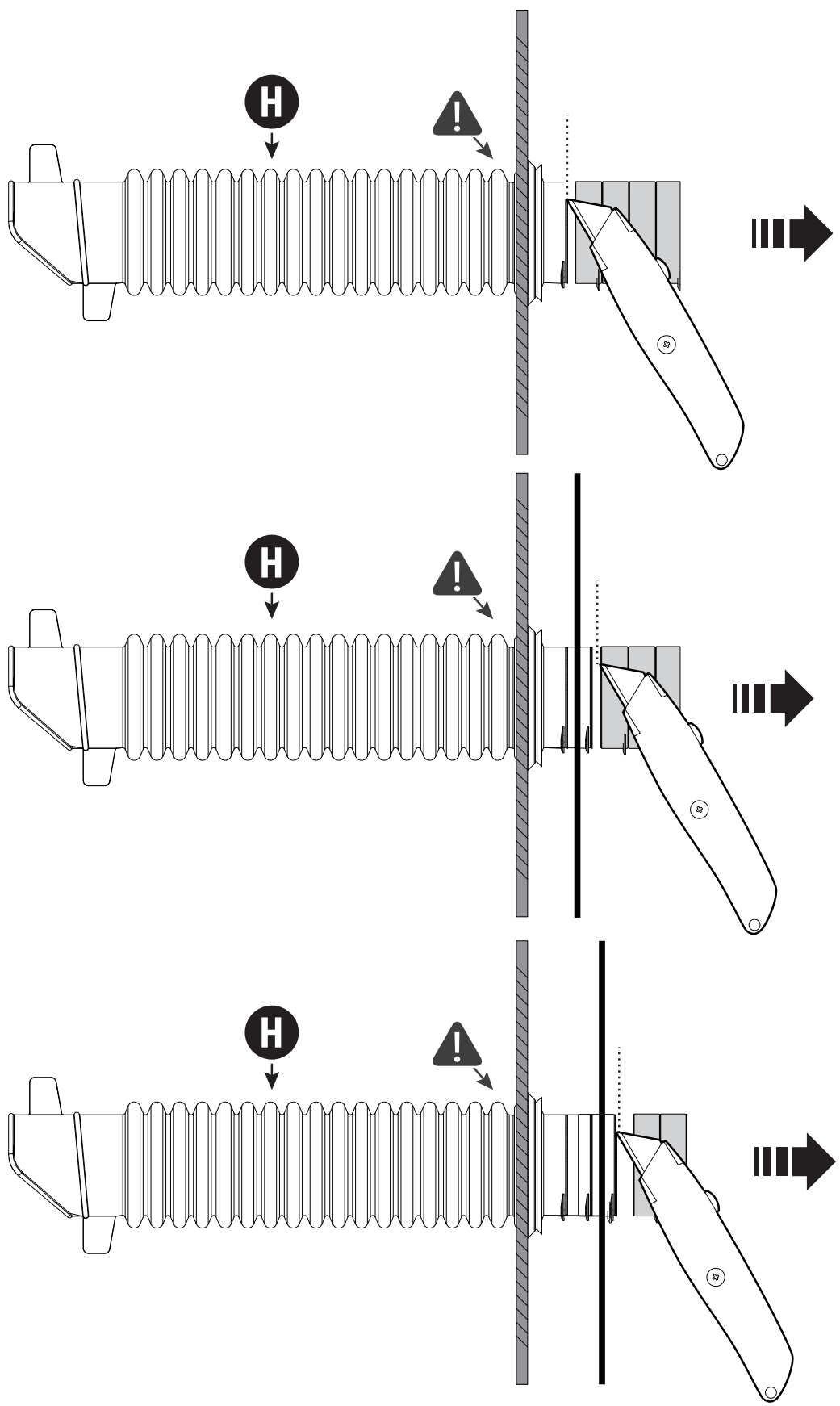


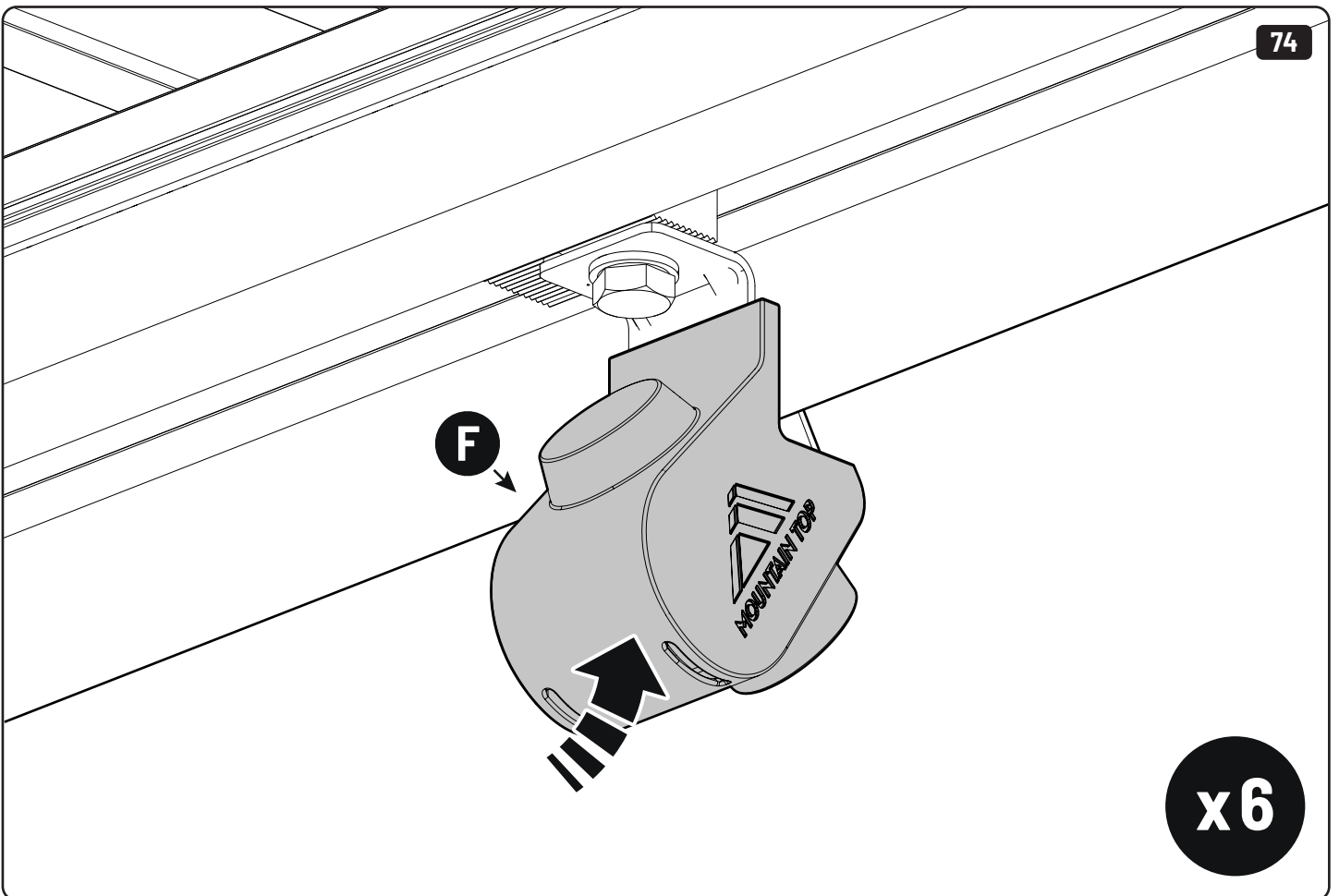
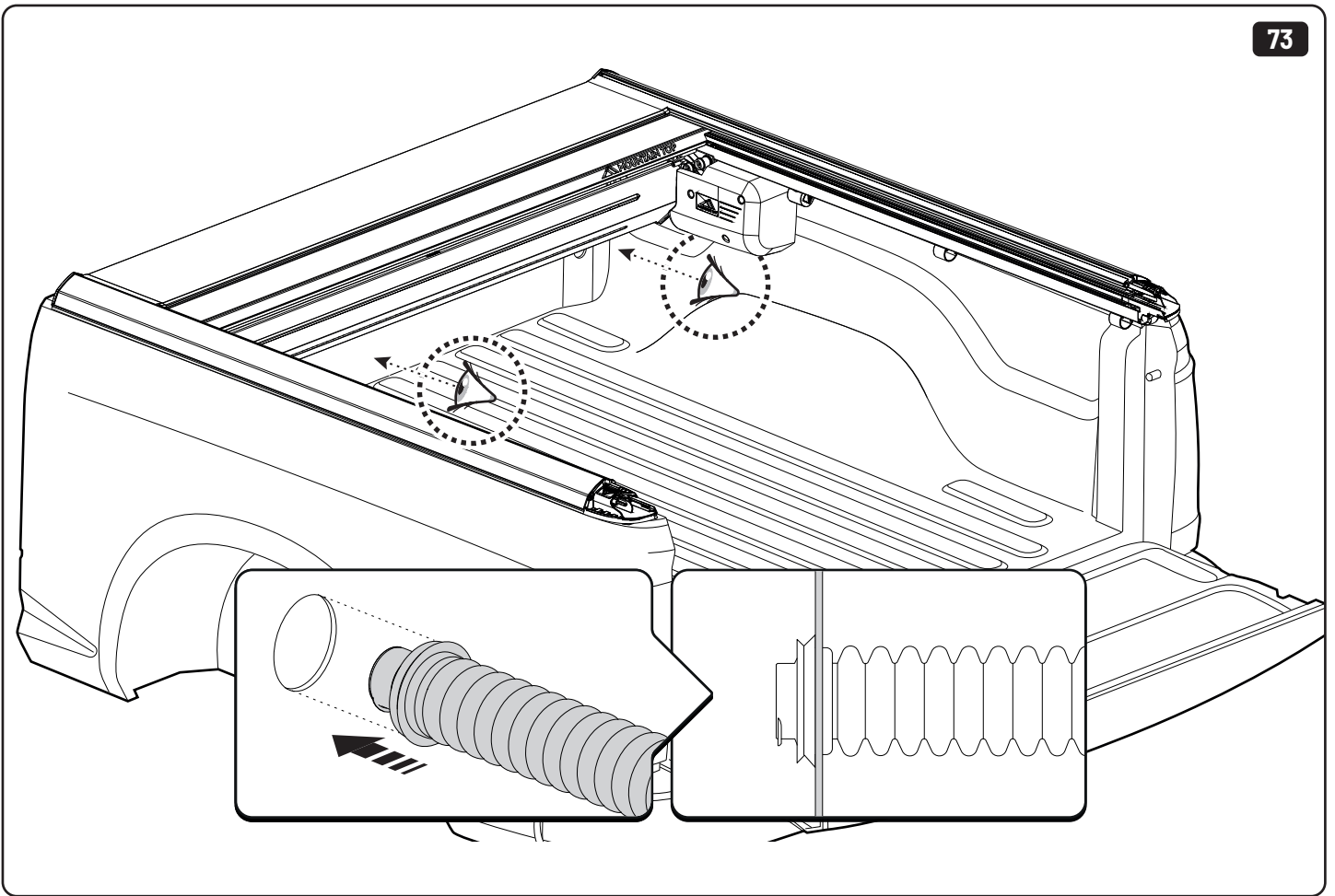


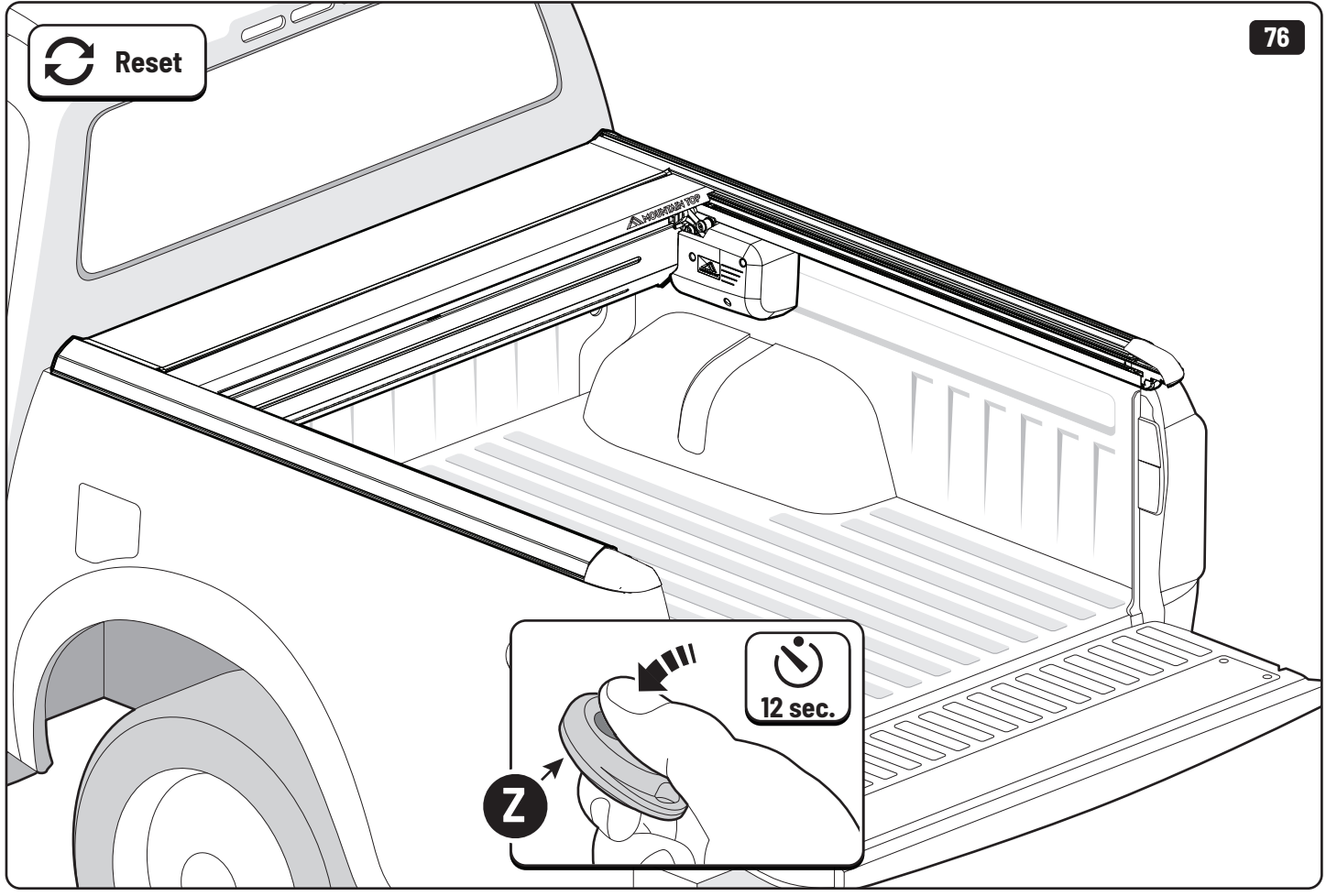
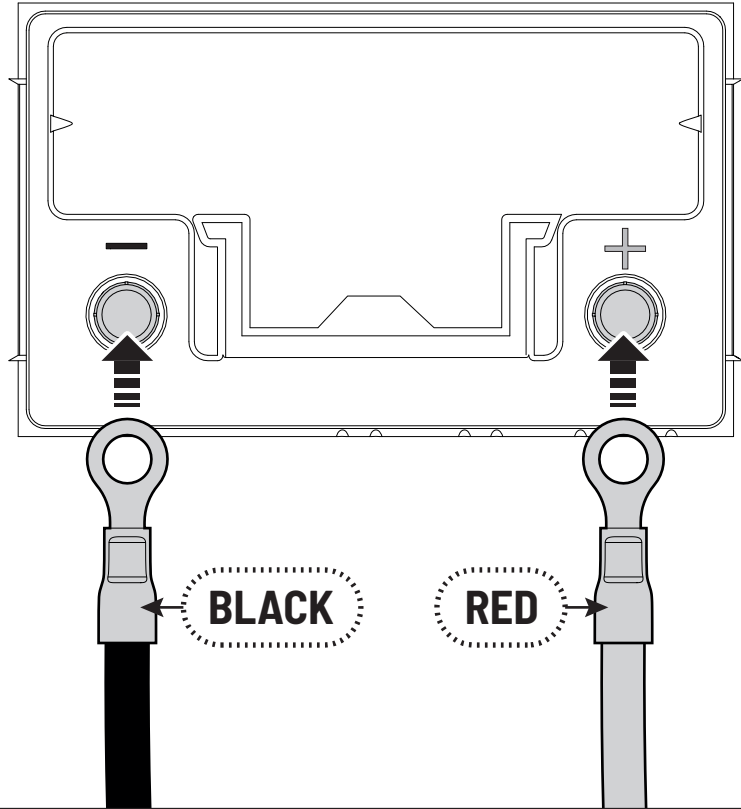


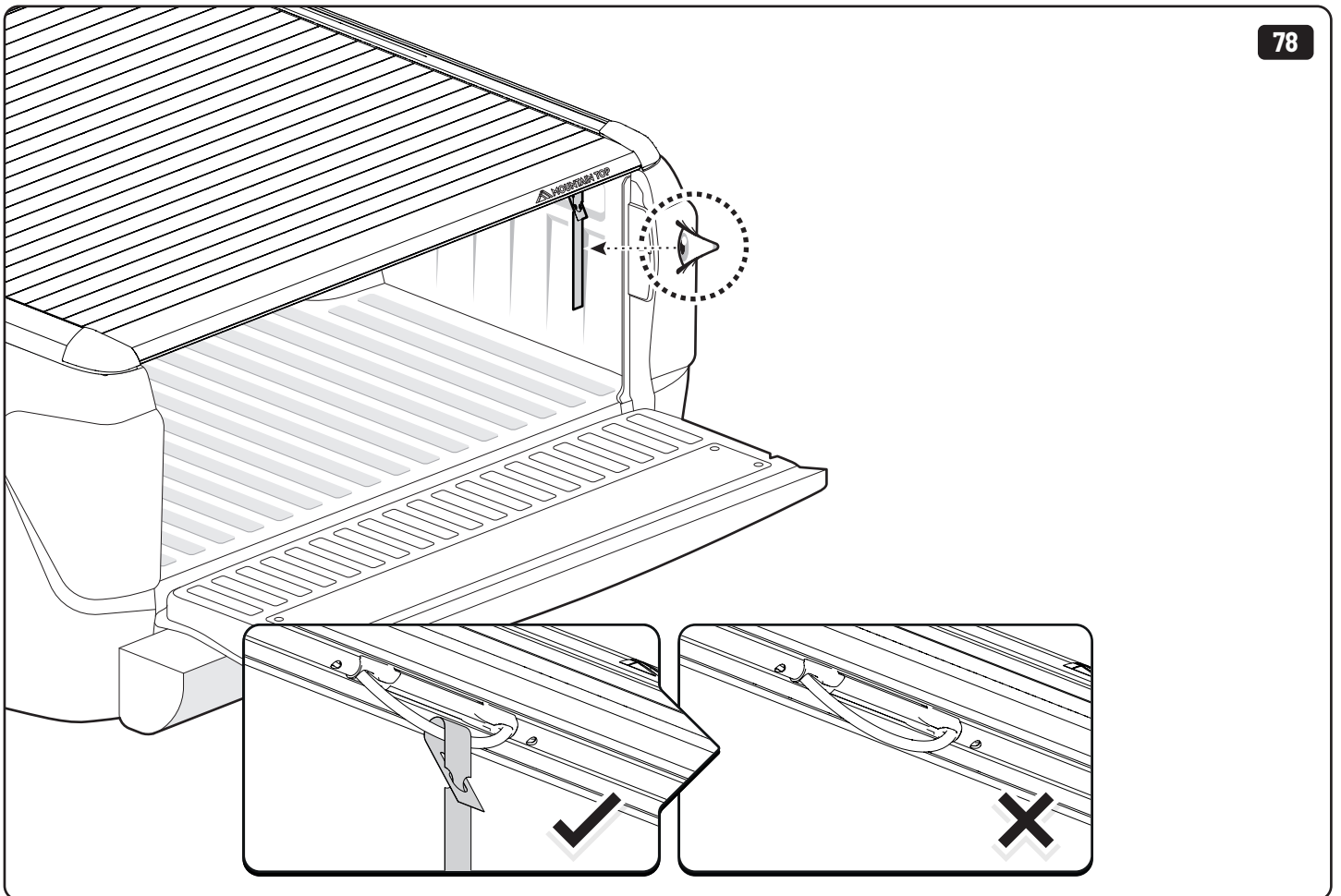
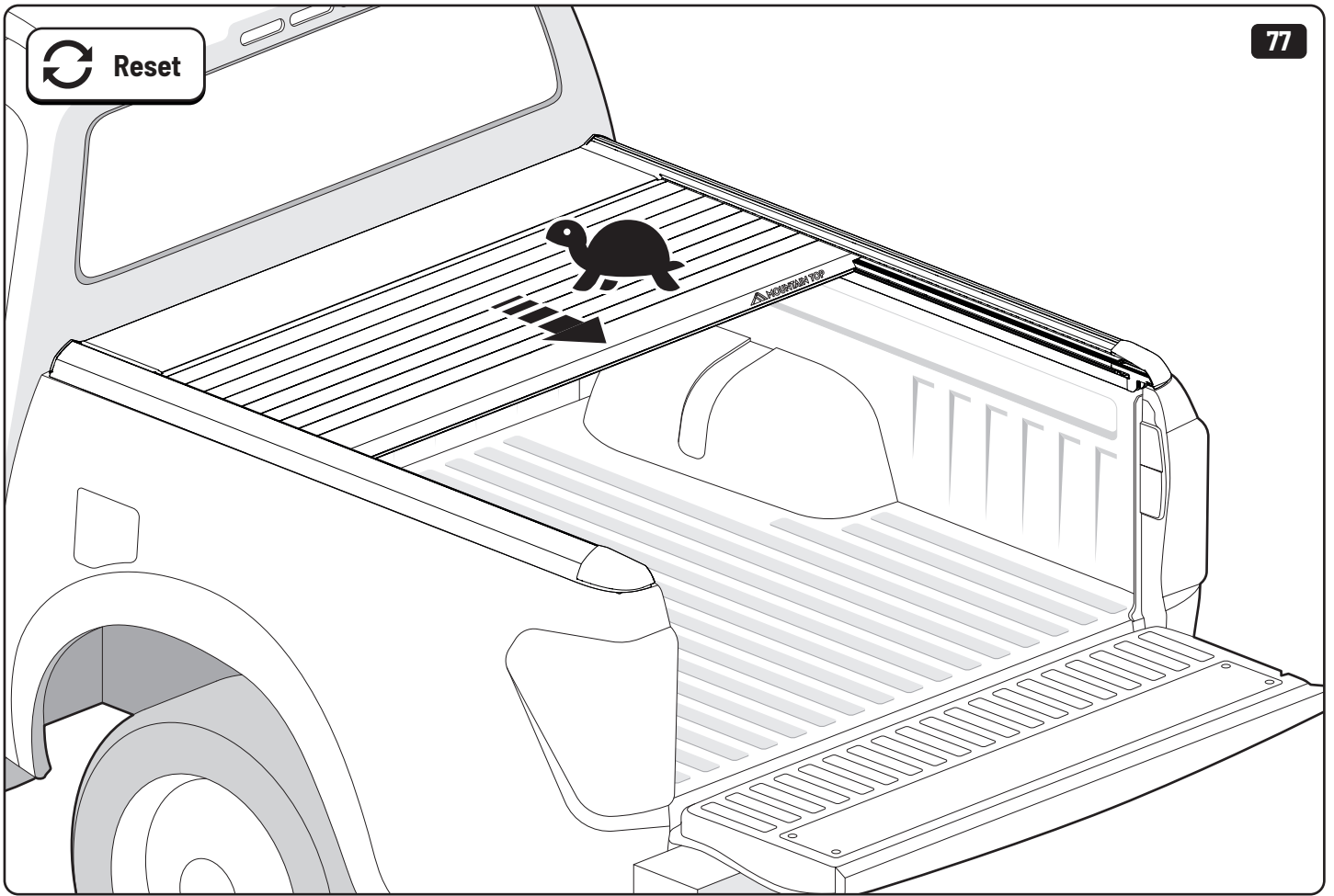














Steps	Page	Done by
Mounting rubber cross	8	
Mounting gliding rail in canister	14	
Holes for drain	22-24	
Width + Cross measurement	33-34	
Tightening the clamp screw	35	
Mounting drain	44	



Customer Service +45 4810 2950 (08:00 - 16:00 CET)
Support info@mountaintop.dk
Website www.mountaintop.dk
Address Pedersholmparken 10, 3600 Frederikssund, Denmark

Part number (s)	Model / Year	Cab type (s)	Installation time	Weight
EVOe T090 AB01	Hilux / 2016 ->	Double Cab	1 hour (s)	43 kg

GB Installation manual	S Monteringsanvisning	D Einbauanleitung
SF Asennusohje	E Instrucciones di montaje	CZ Návod k instalaci
F Notice de montage	H Szerelési utasítás	I Istruzioni di montaggio
PL Instrukcja montażu	P Instruções de instalação	GR Οδηγίες Εγκατάστασης
NL Installatie-instructies	RUS Инструкция по установке	DK Monteringsvejledning
TR Montaj Talimatı	N Monteringsveiledning	RO Instructiuni de instalare