

Sports Bar - Adapter kit

Installation manual

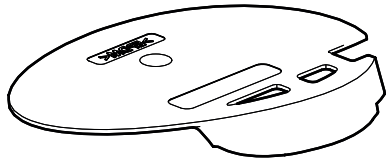


DOWNLOAD PDF



Parts

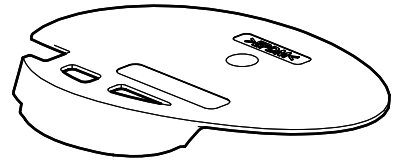
A



REAR LEFT

x 1

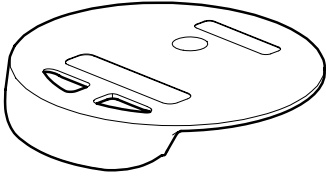
B



REAR RIGHT

x 1

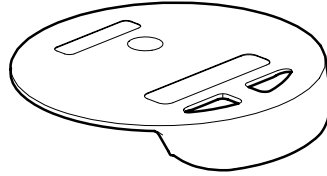
C



MIDDLE LEFT

x 1

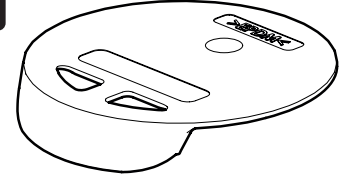
D



MIDDLE RIGHT

x 1

E



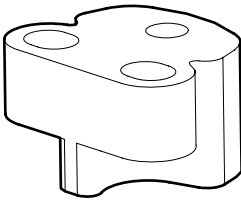
FRONT

x 2



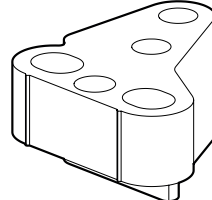
Kit

F



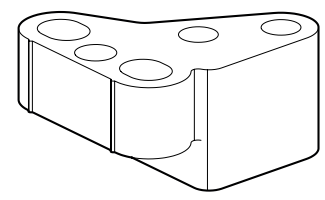
x 2

G



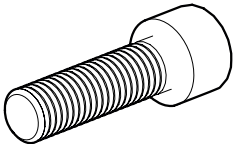
x 3

H



x 1

I



M10x35

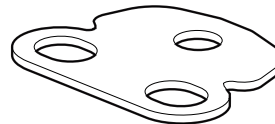
x 4

J



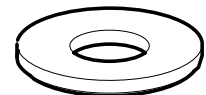
x 4

K



x 2

L

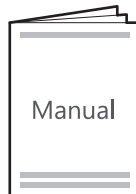


M10

x 4



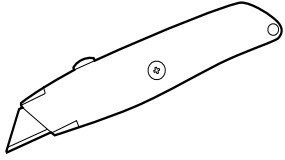
Manual(s)



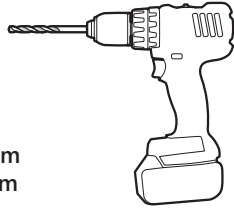
x 1



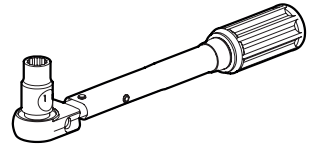
Tools and materials needed



Ø 3,5mm
Ø 14 mm



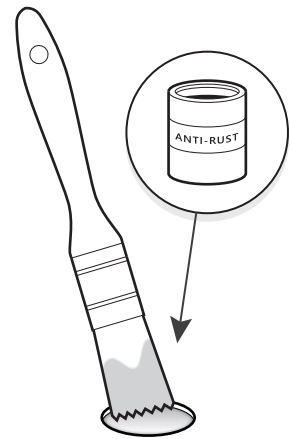
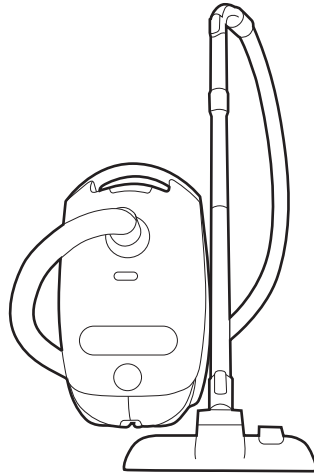
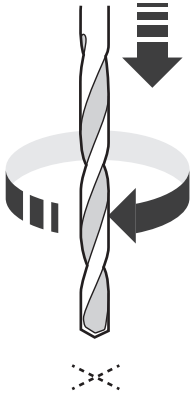
1 - 25 Nm

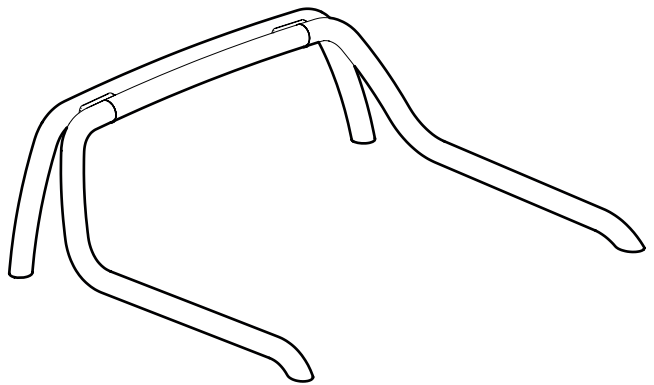
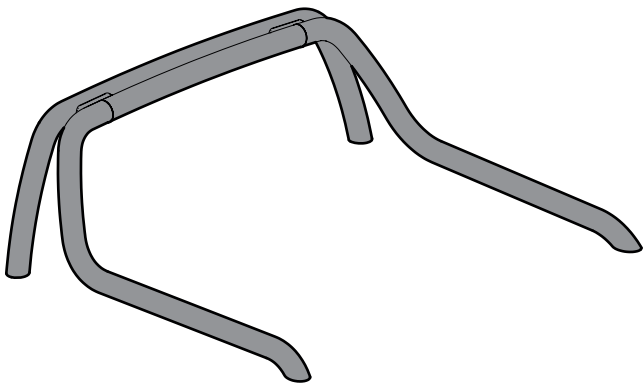
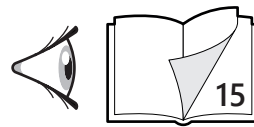
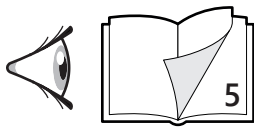
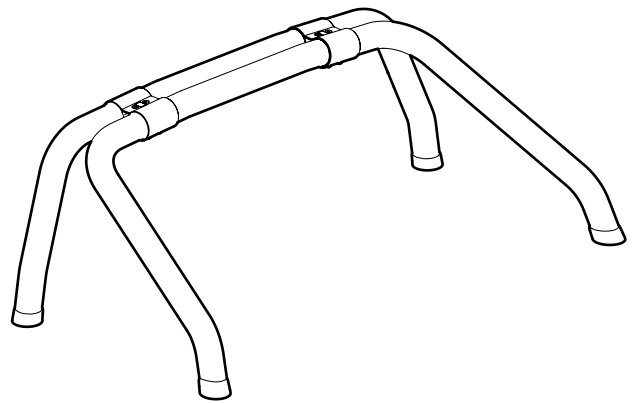
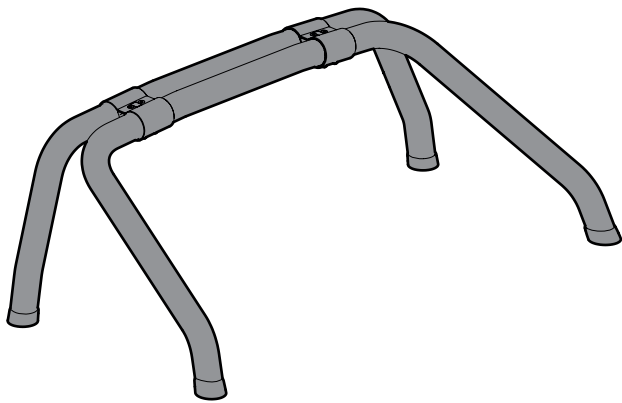


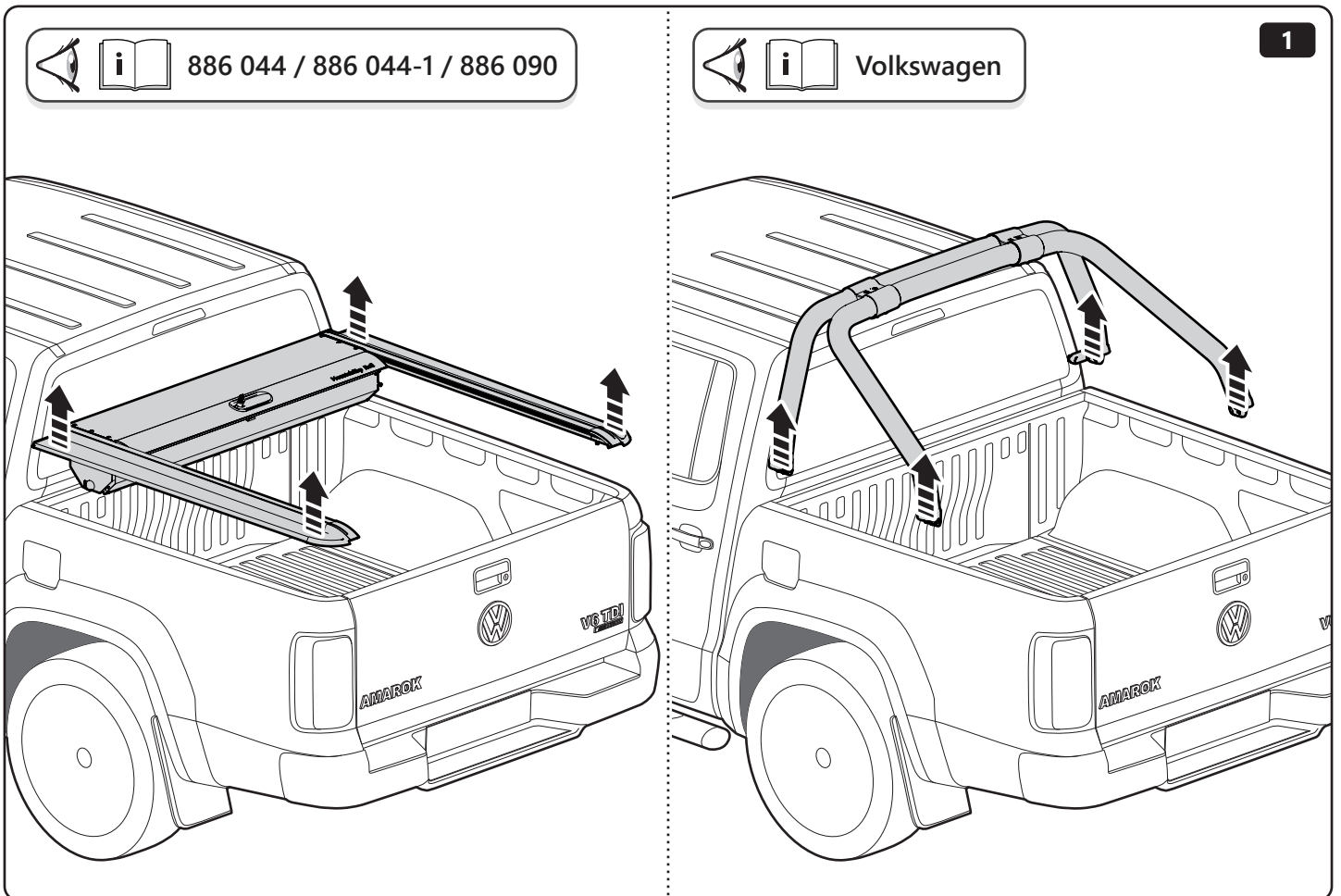
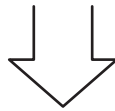
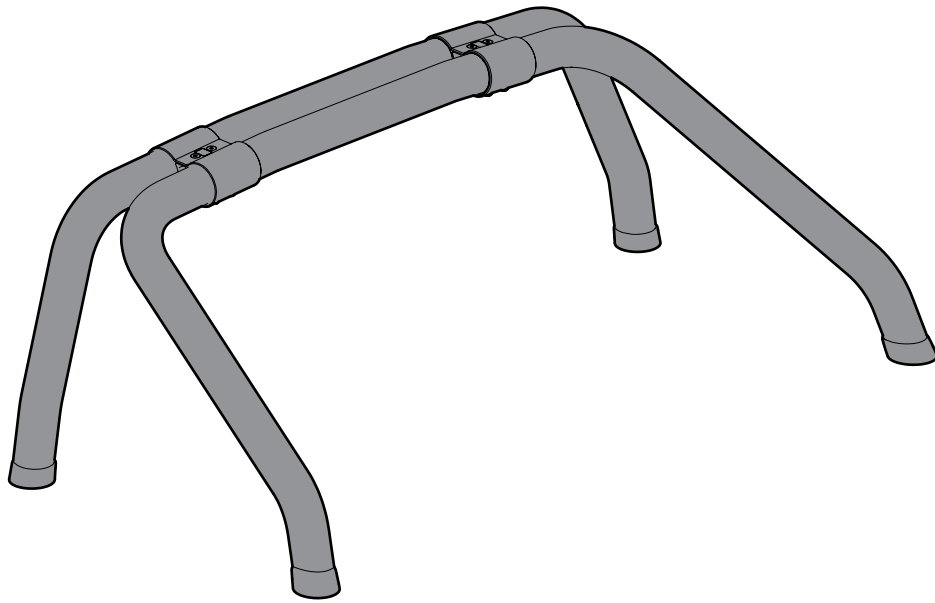
5+6+8 mm

1

Applying rust protection

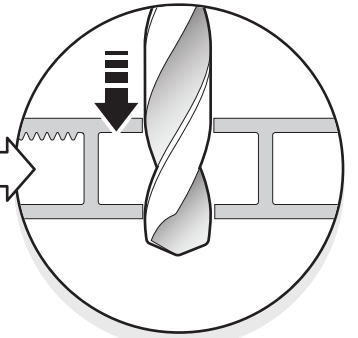
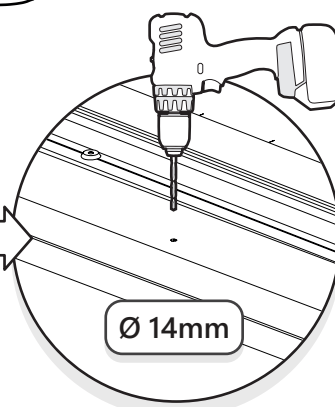
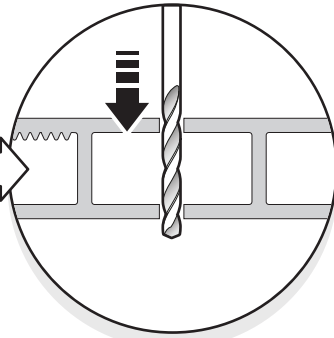
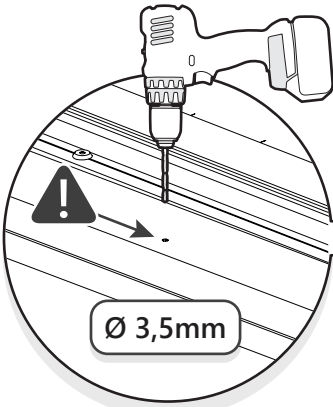
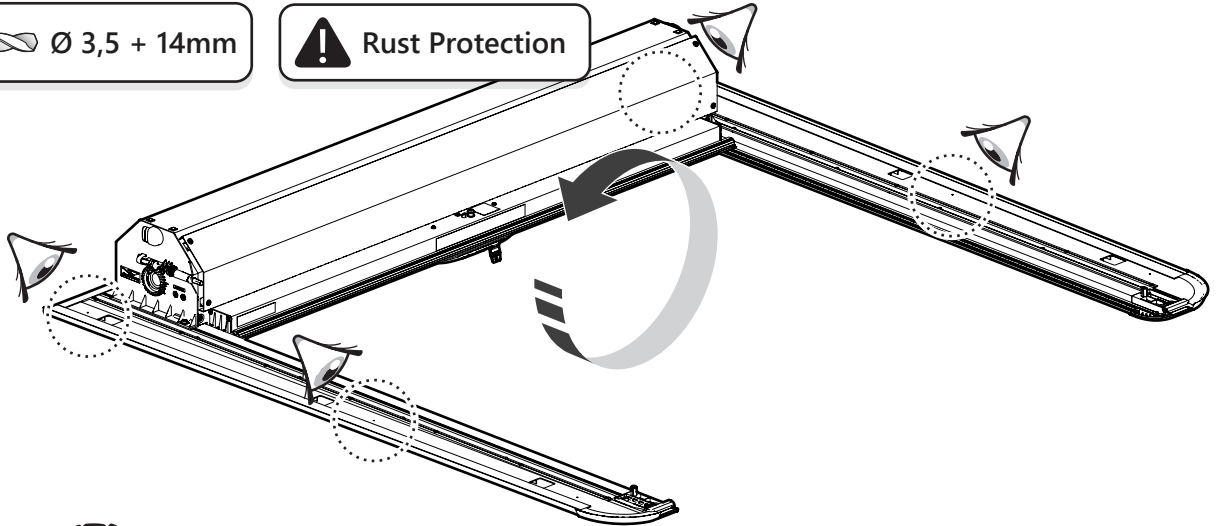




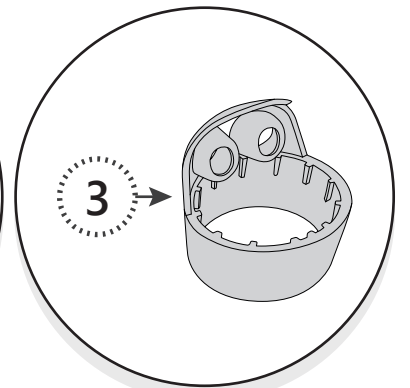
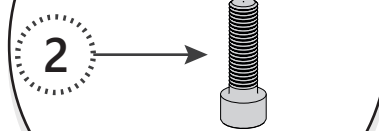
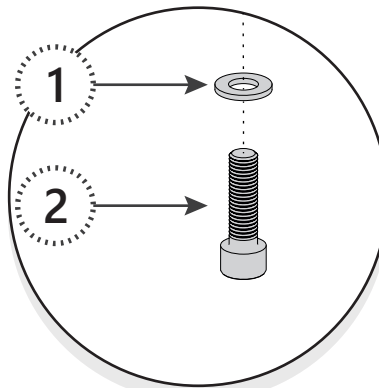
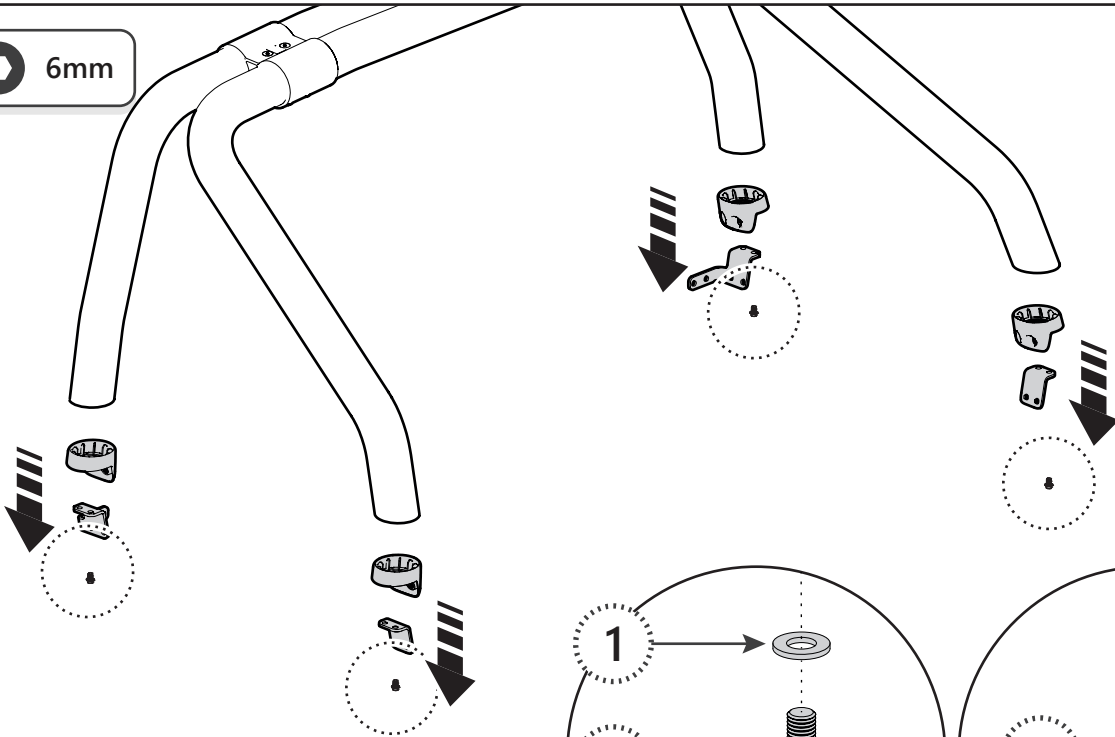


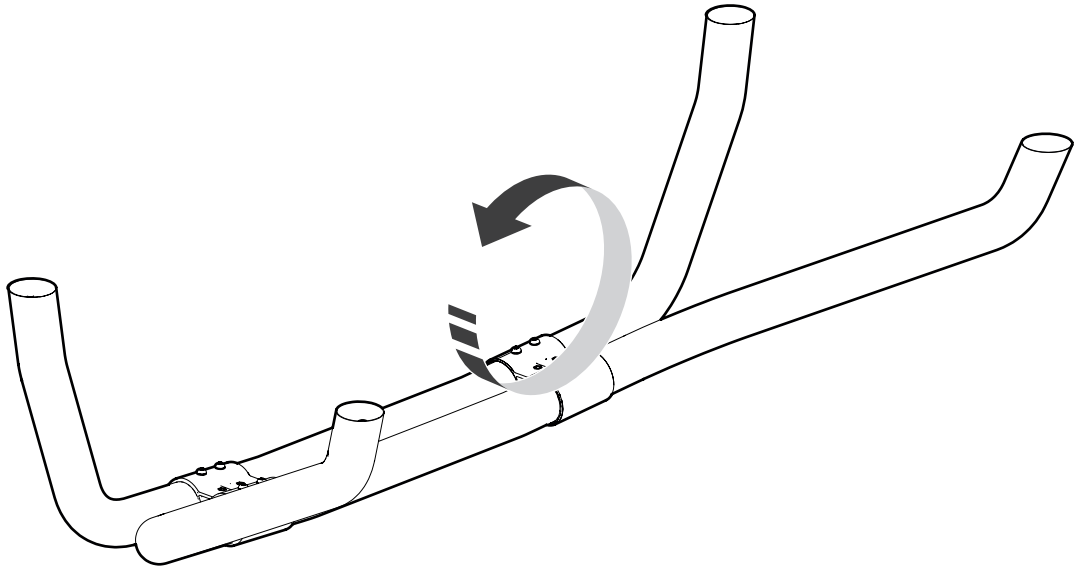
Ø 3,5 + 14mm

! Rust Protection

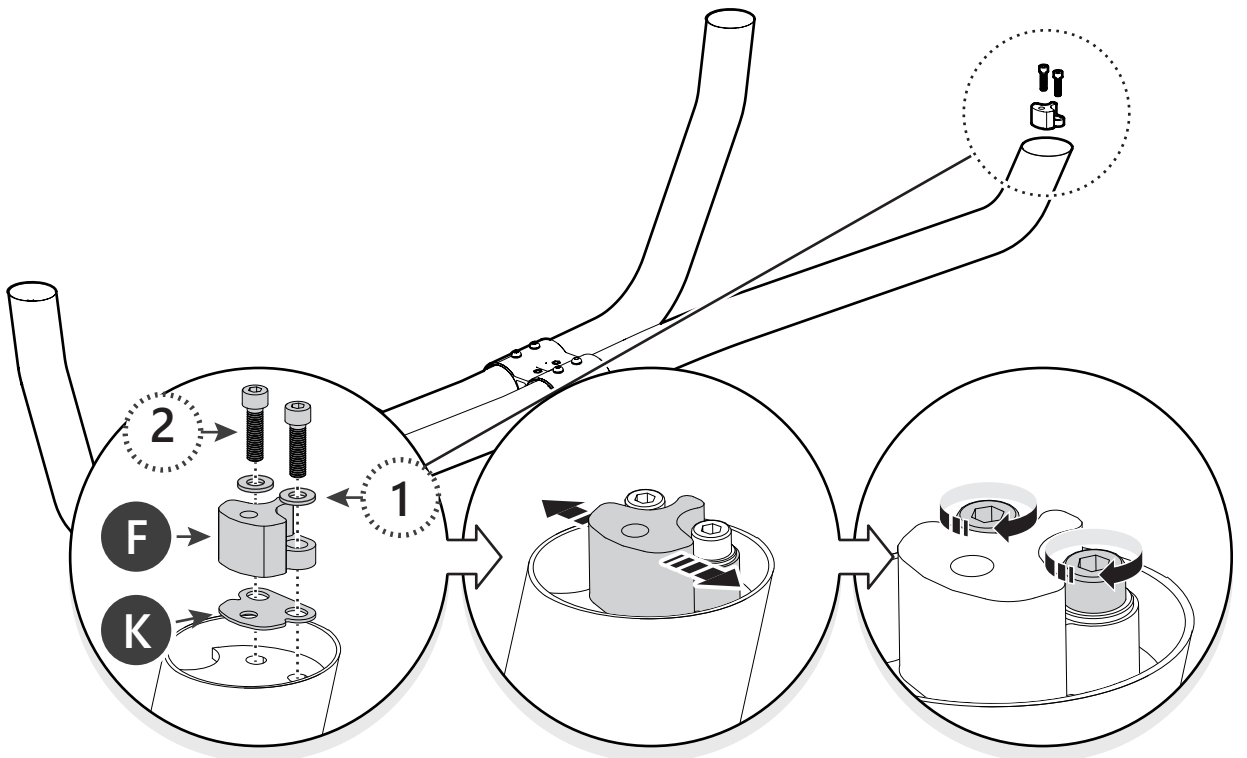


6mm

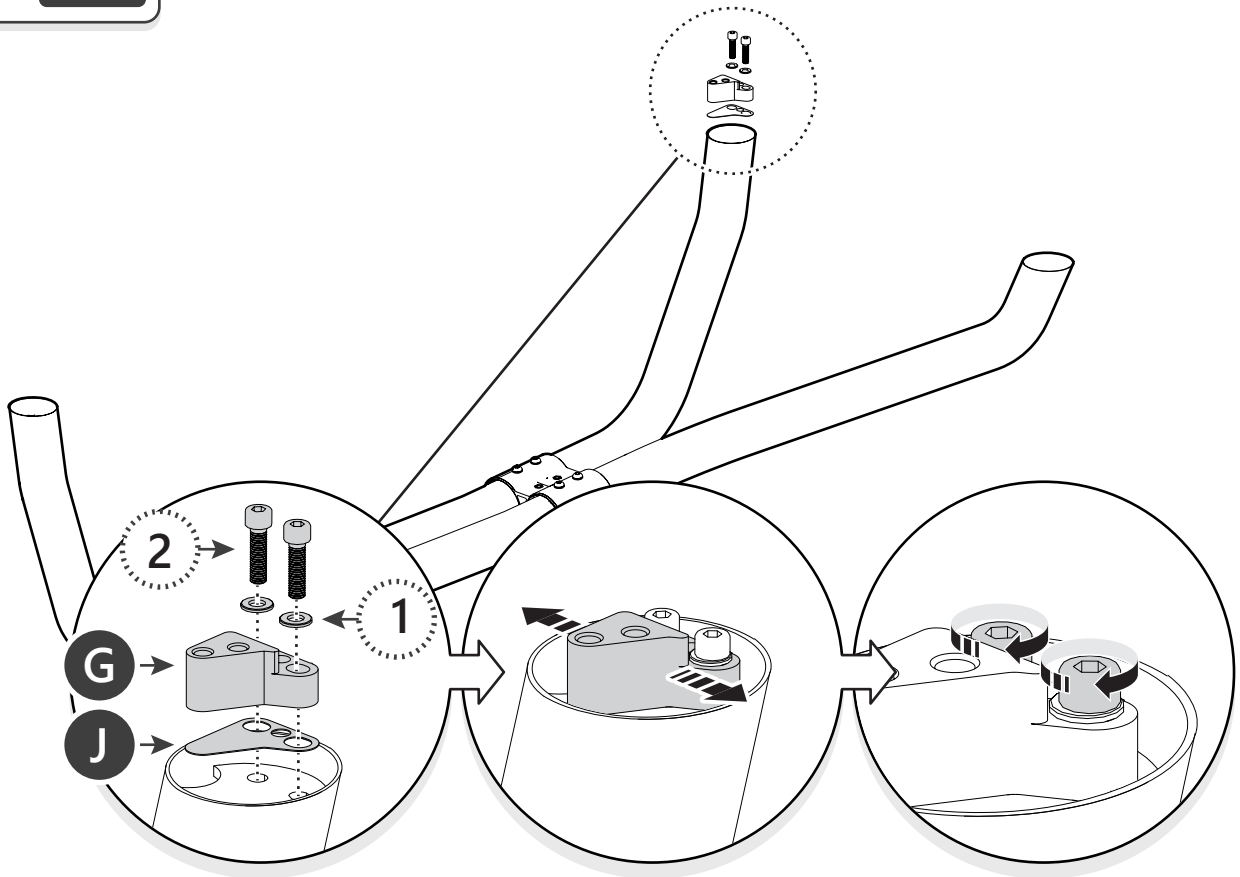




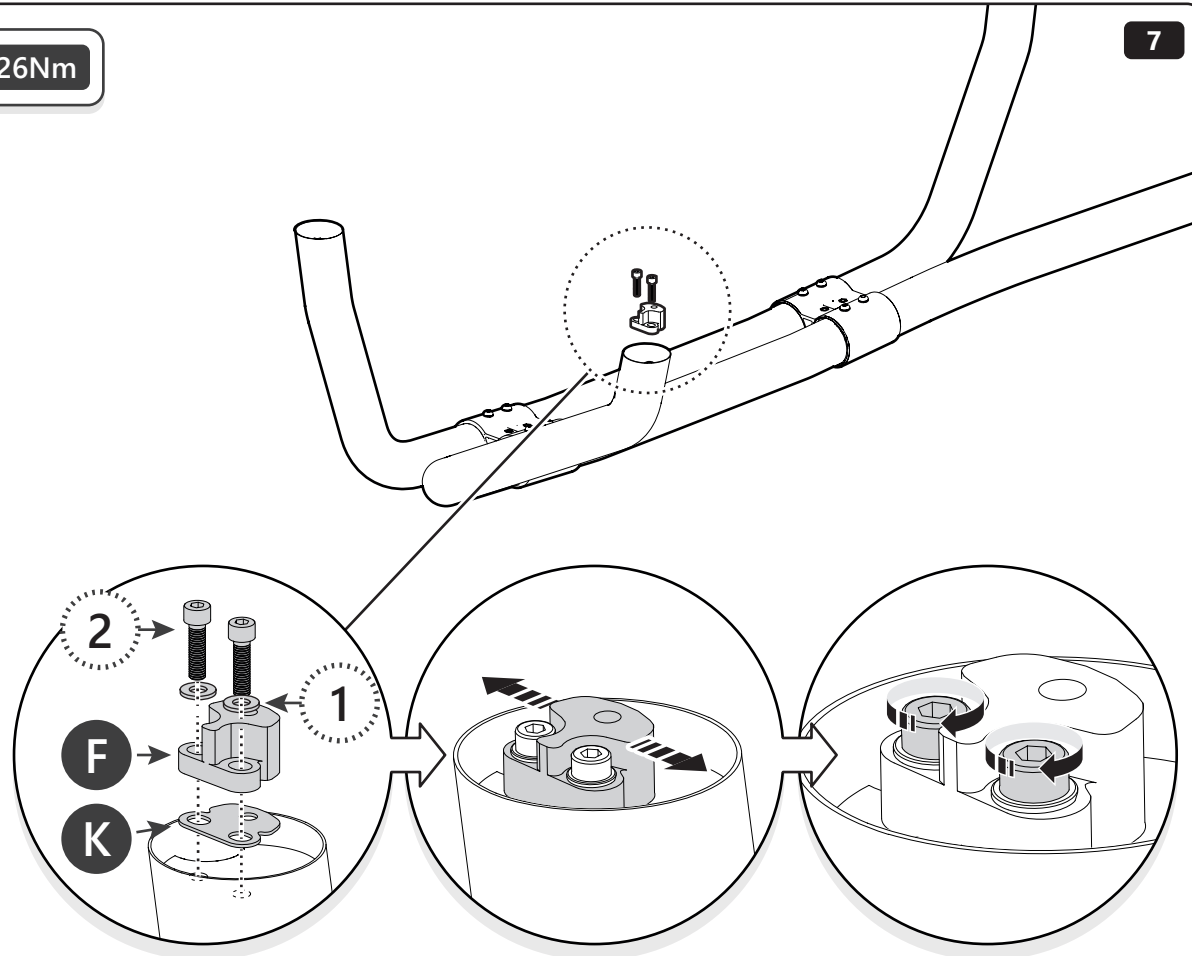
6mm 26Nm



6mm 26Nm

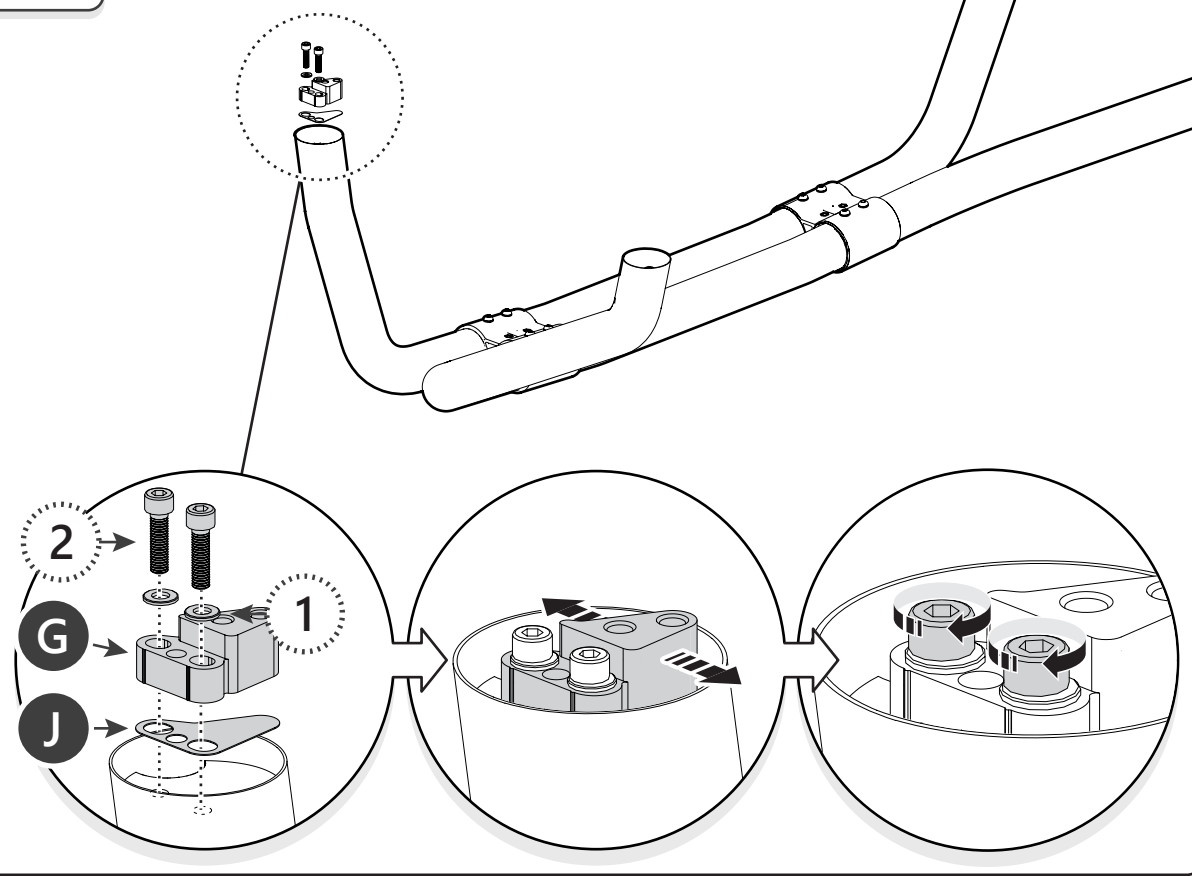


6mm 26Nm

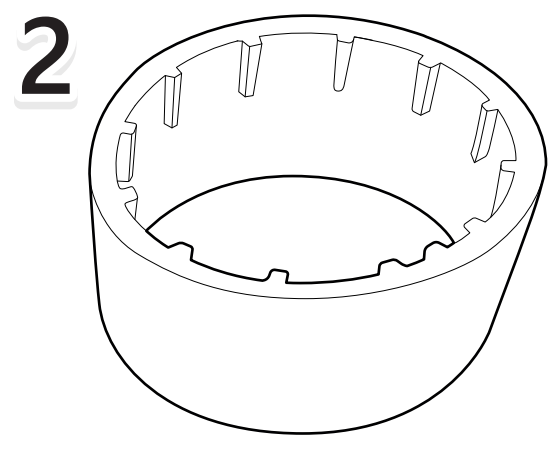
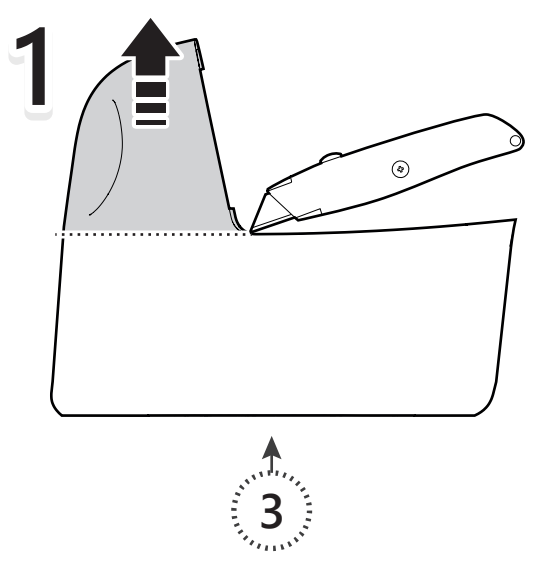


6mm 26Nm

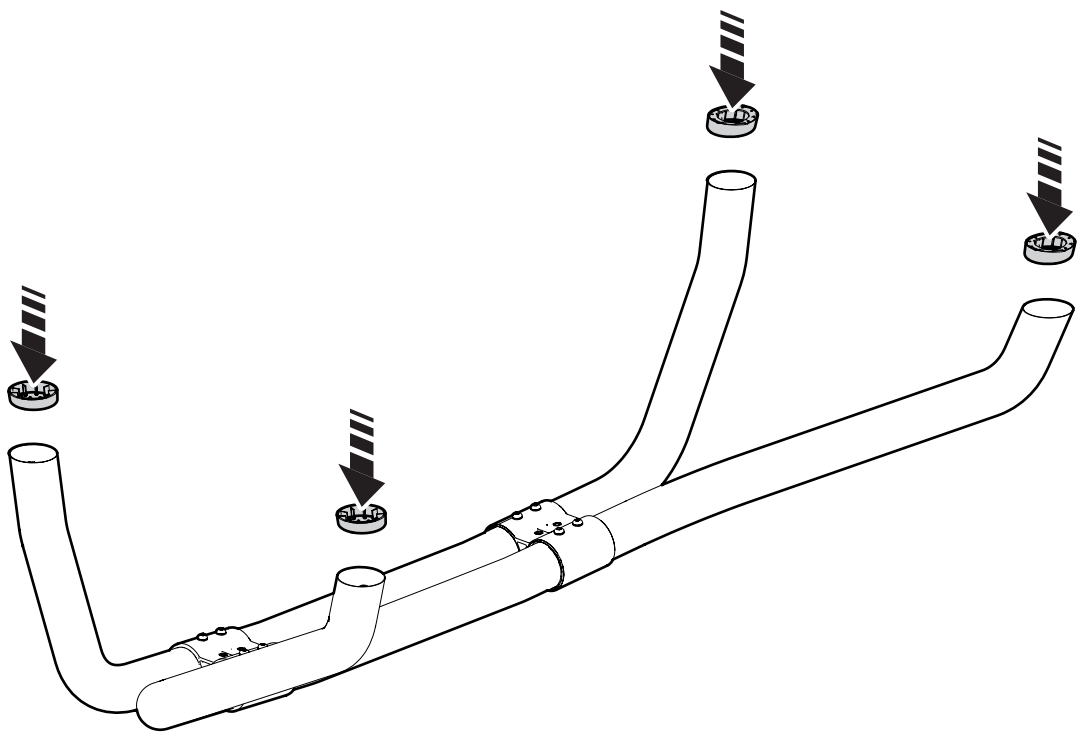
8



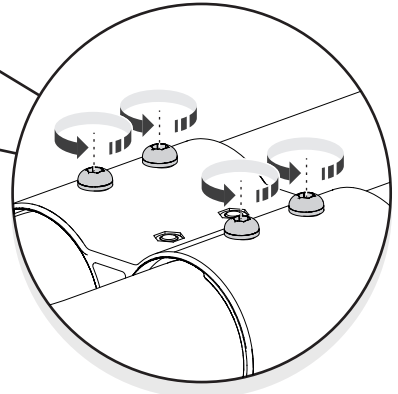
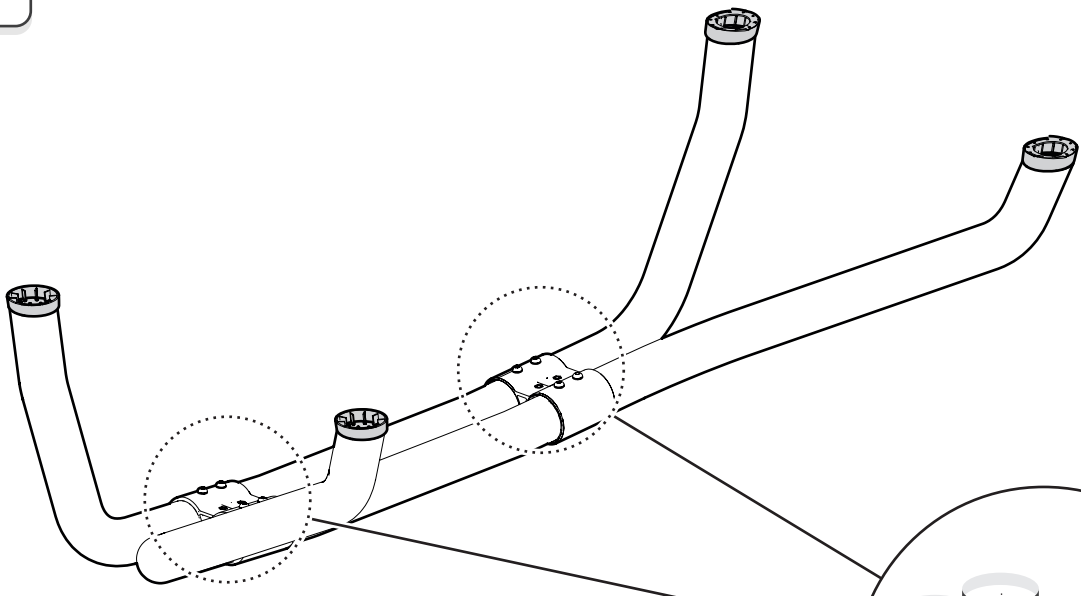
9



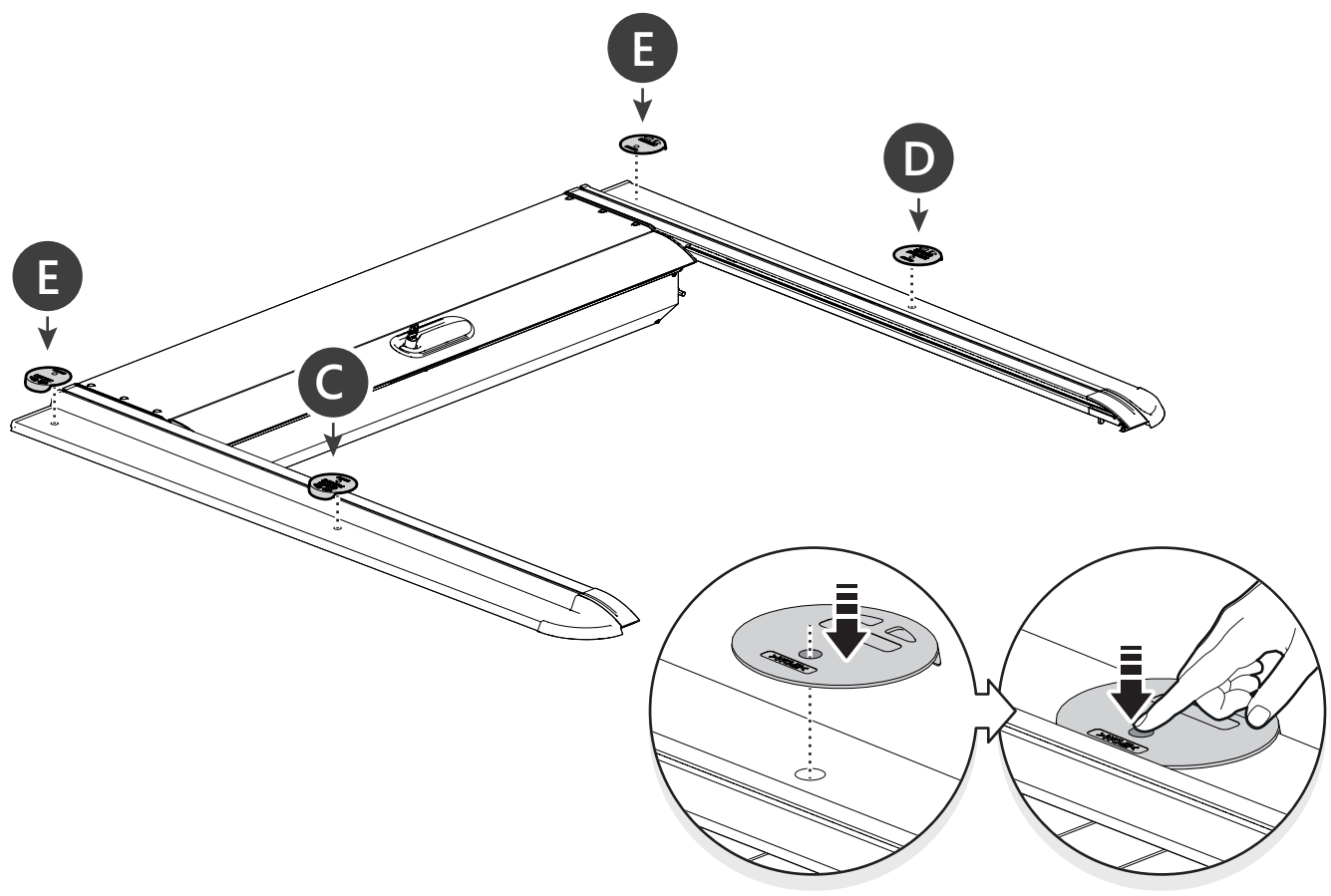
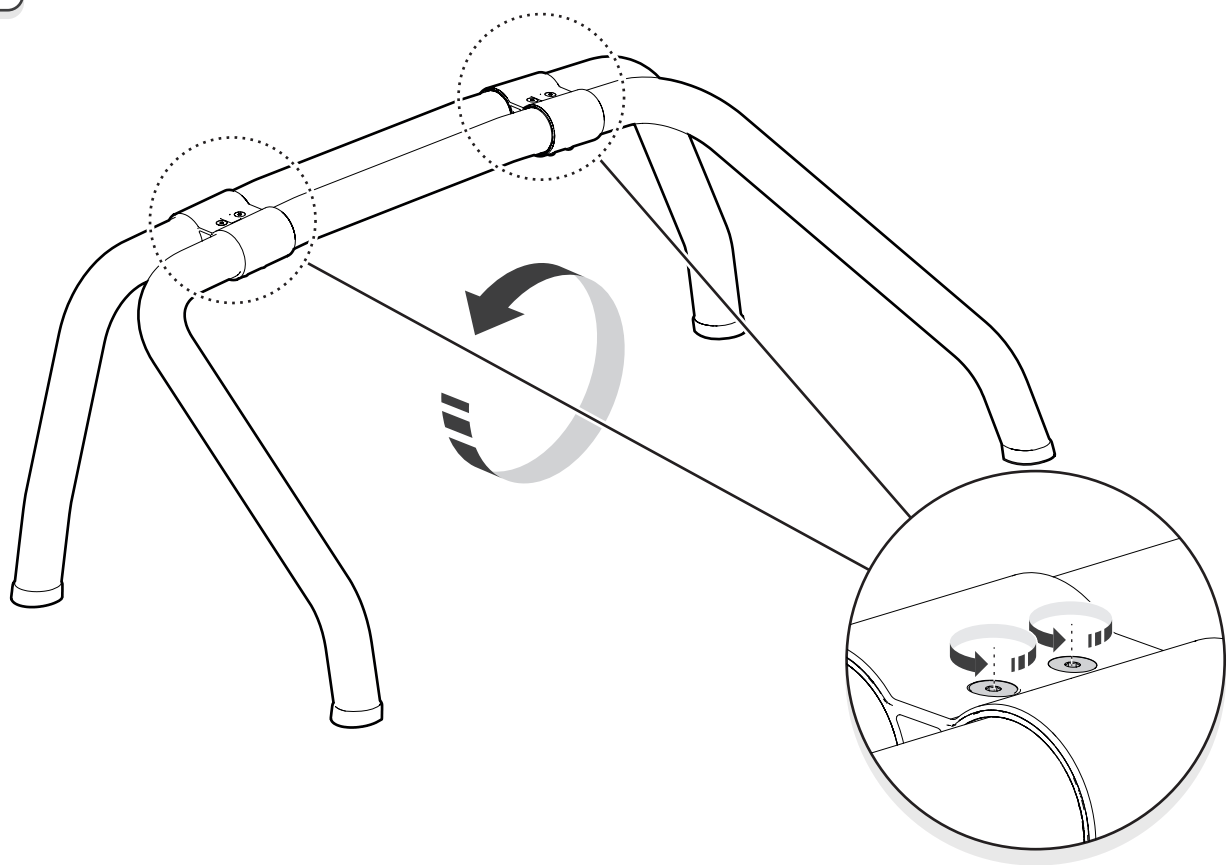
x 4

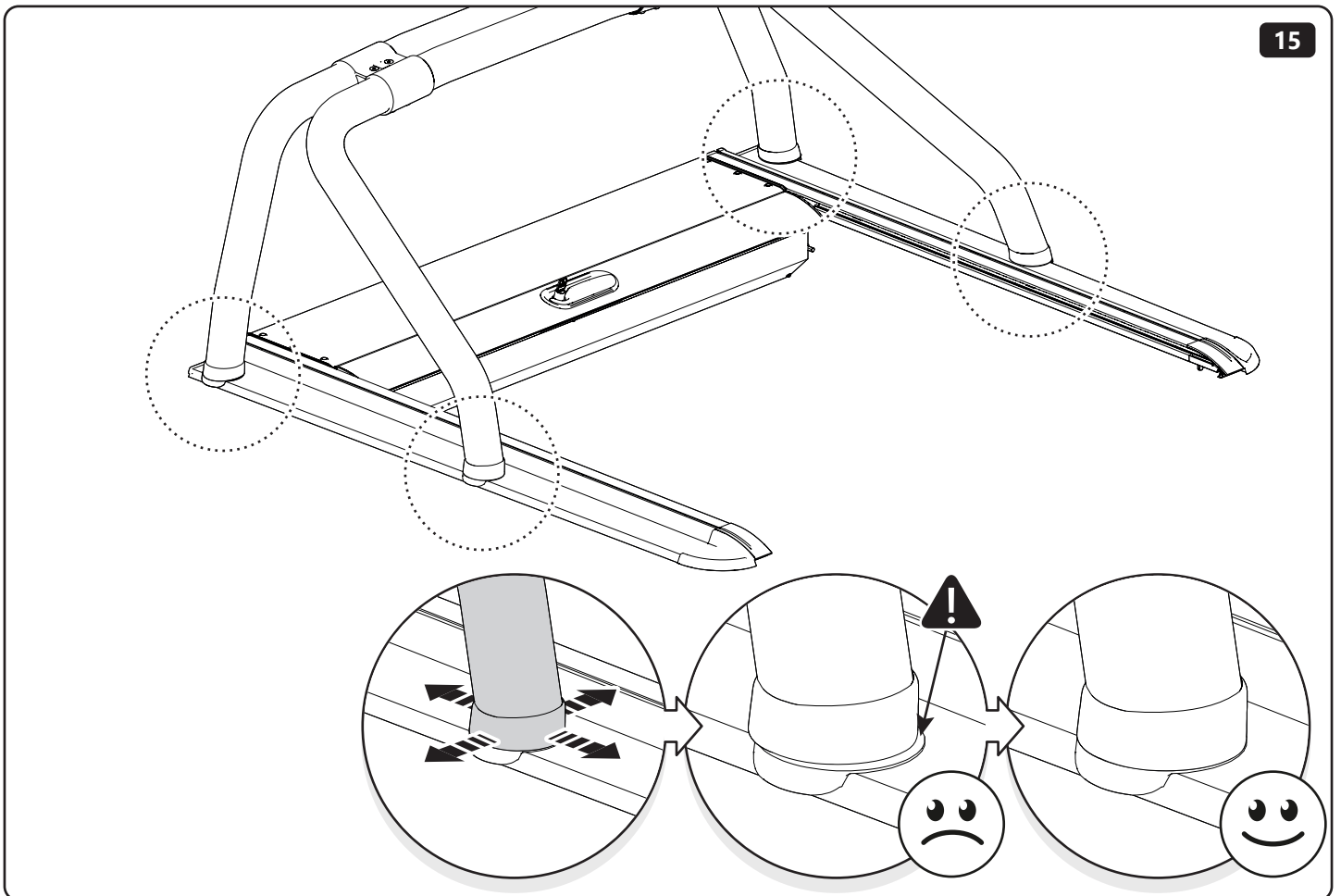
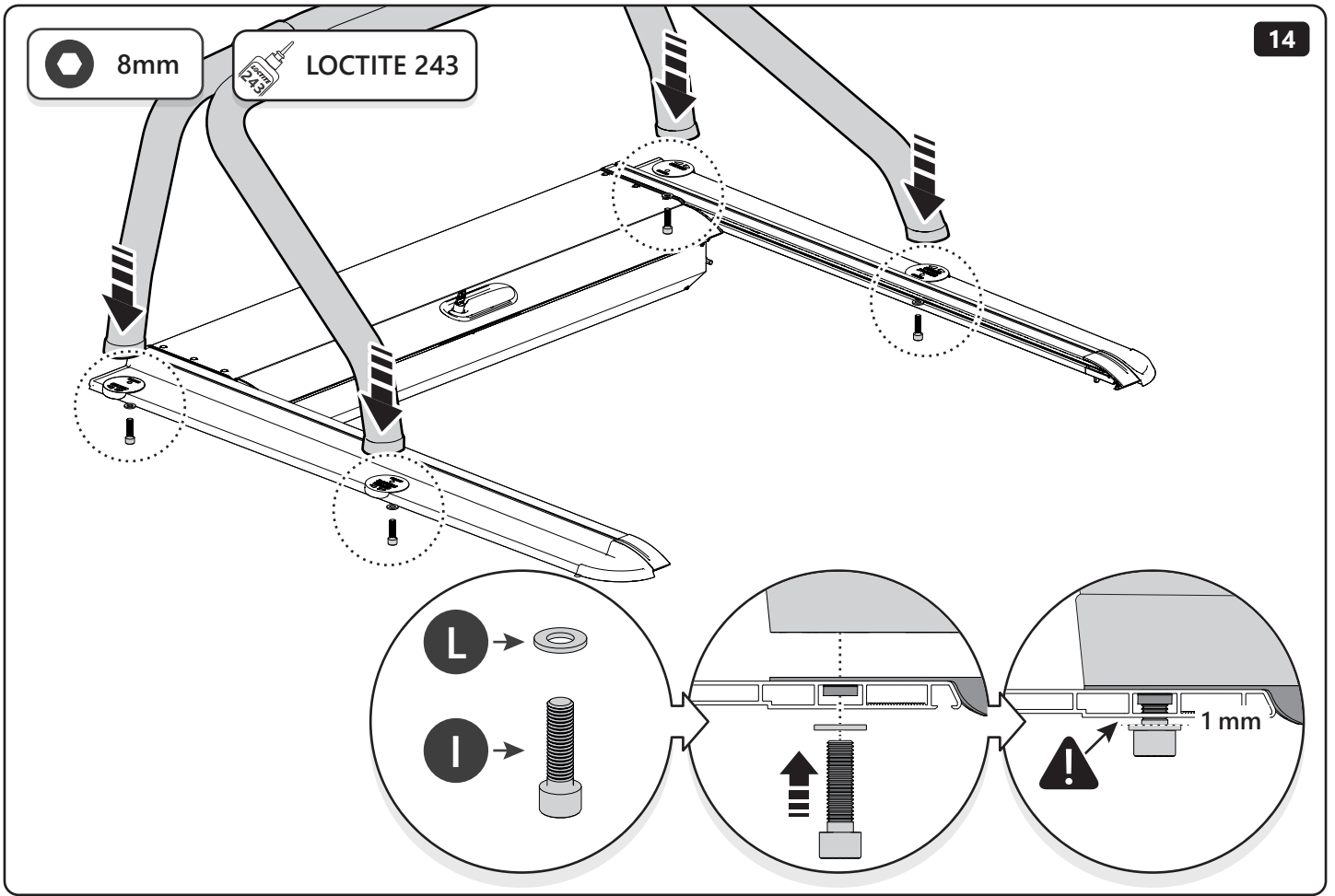


 6mm

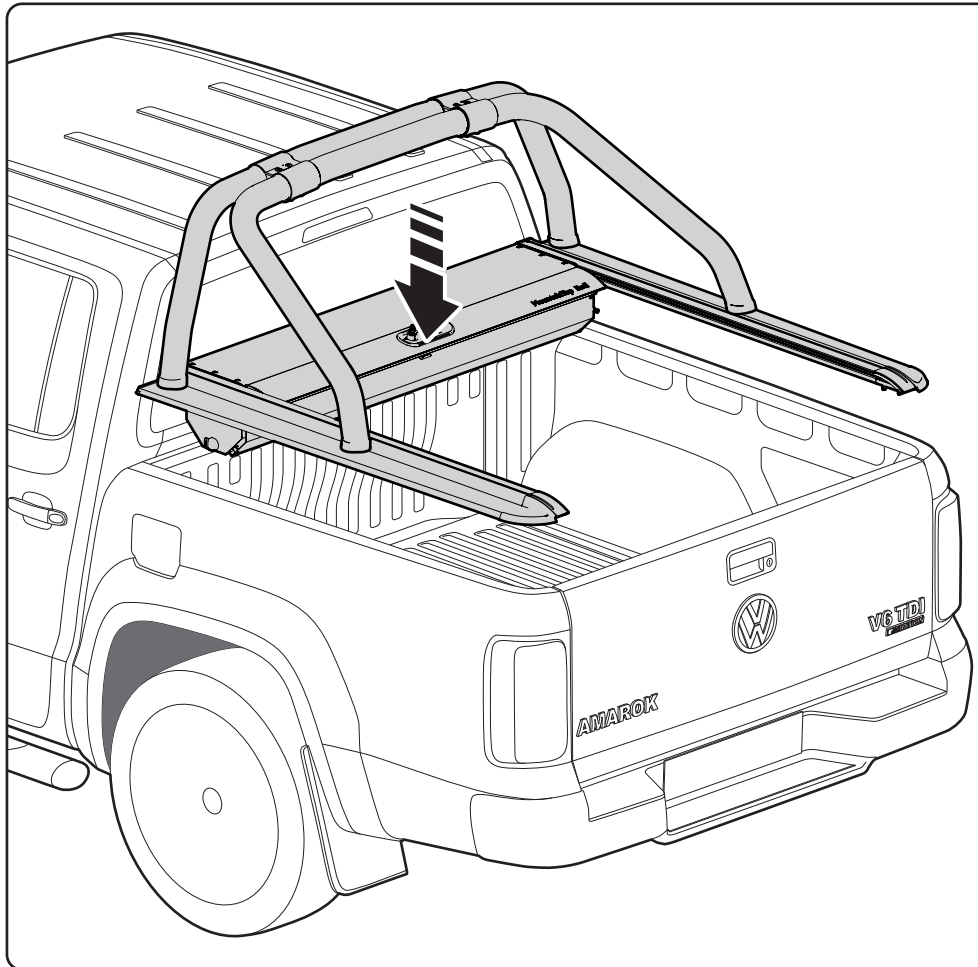
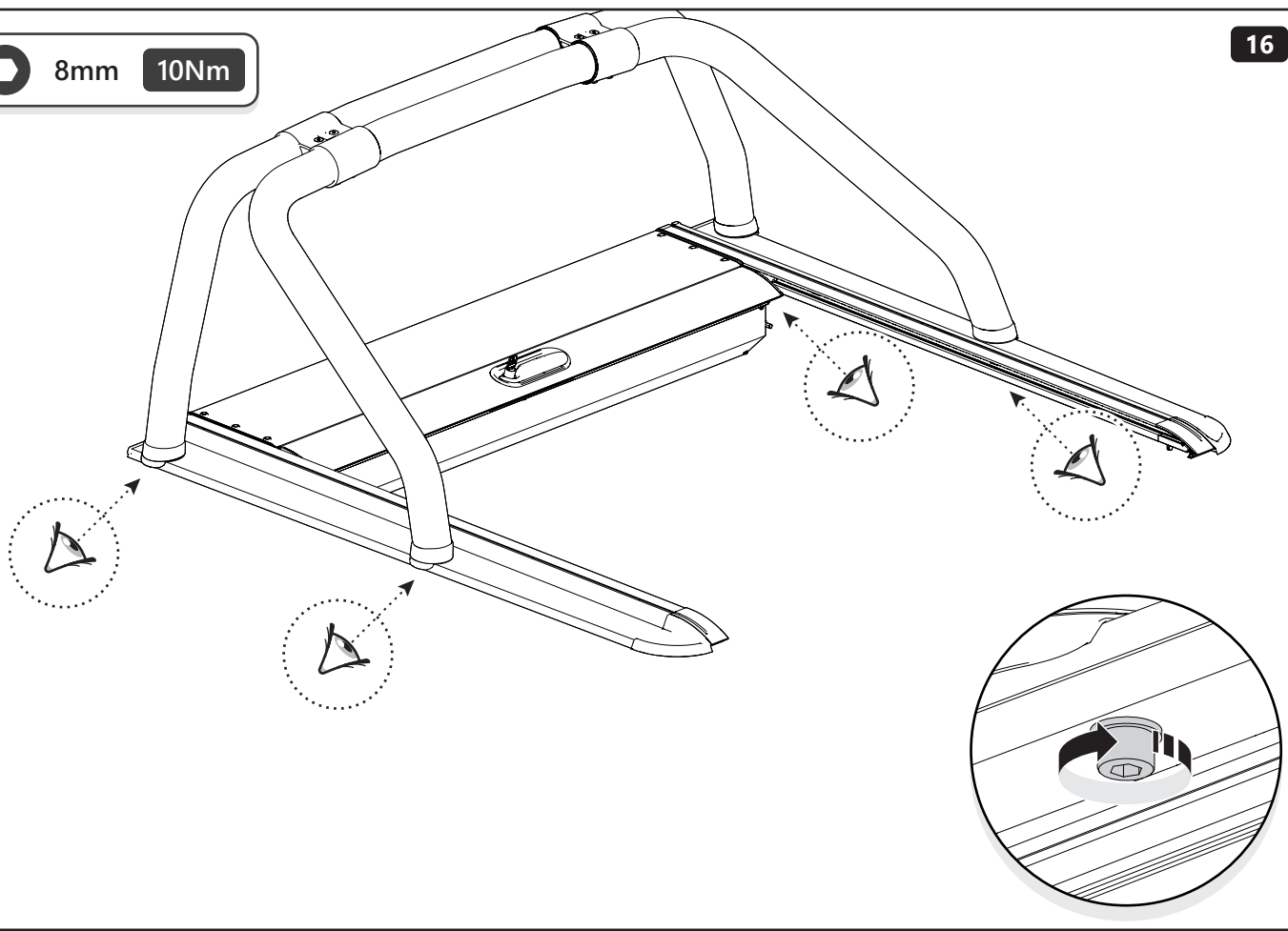


5mm





8mm 10Nm

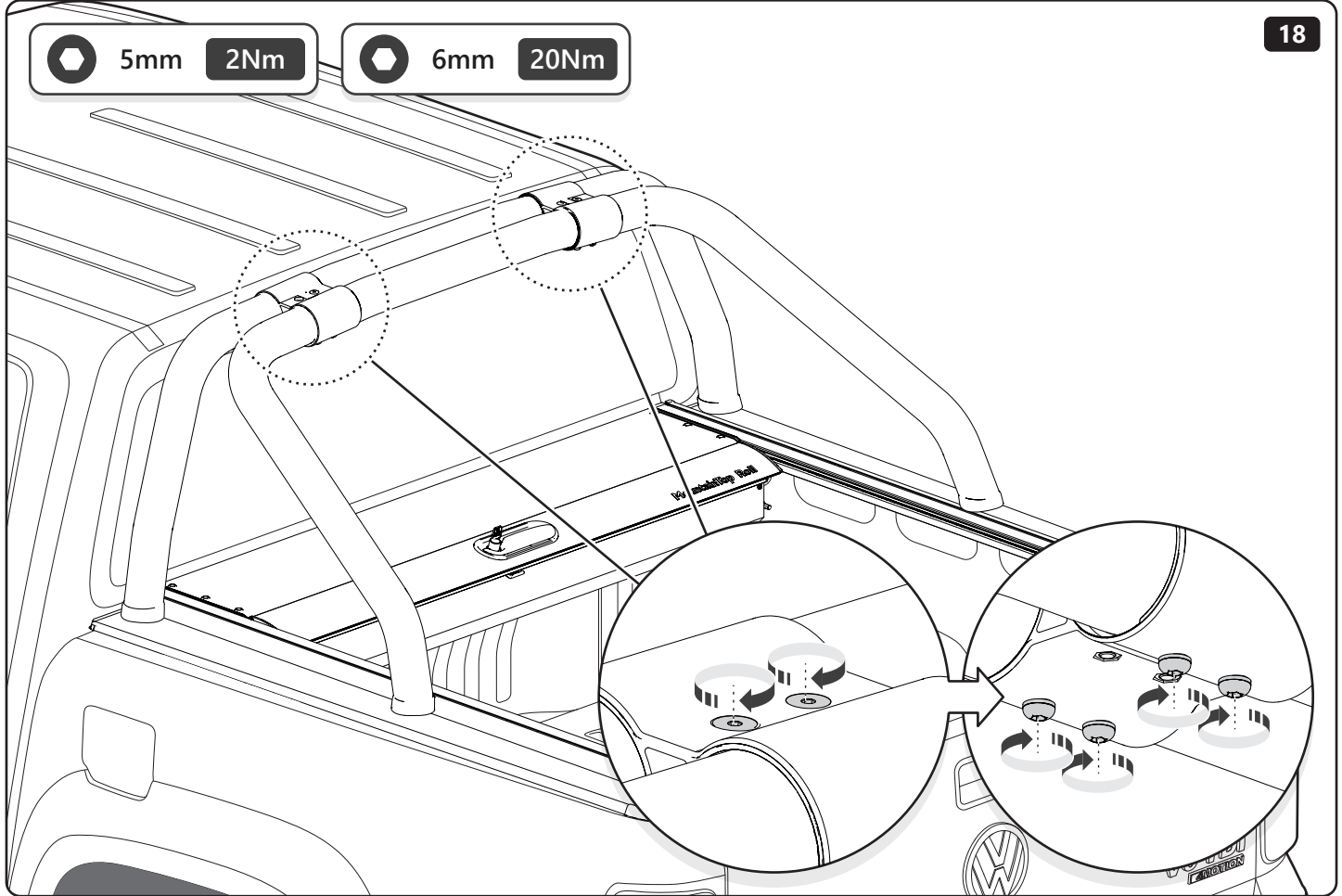


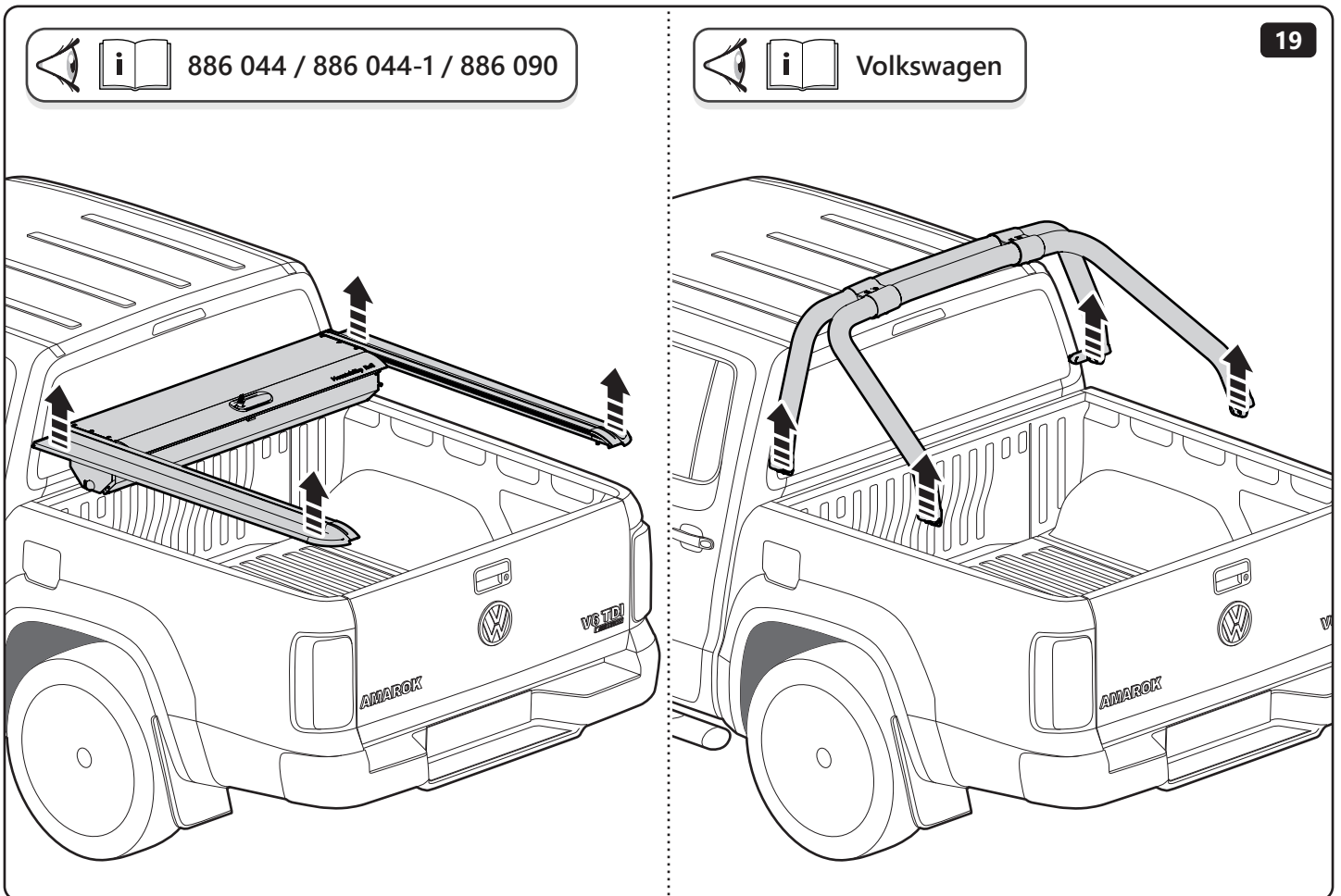
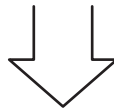
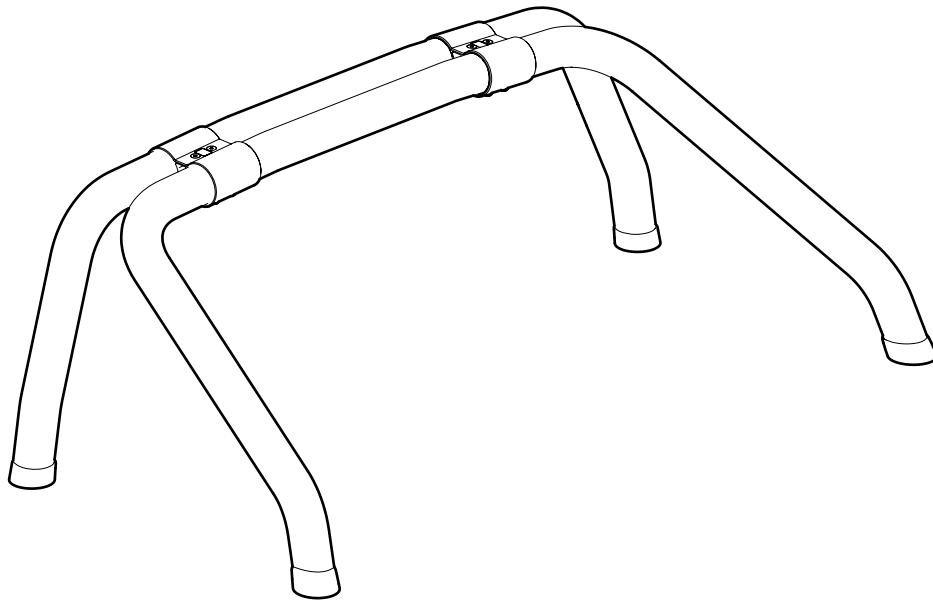
886 044
886 044-1
886 090

DOWNLOAD PDF

5mm 2Nm

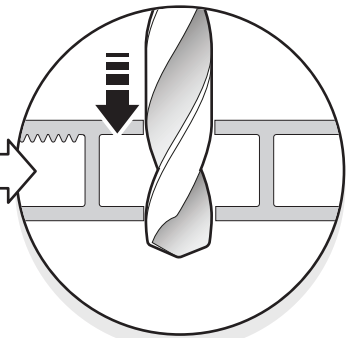
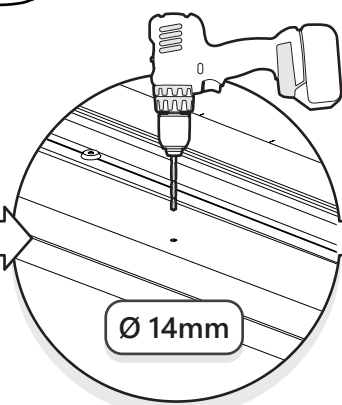
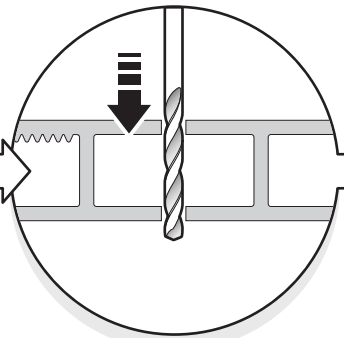
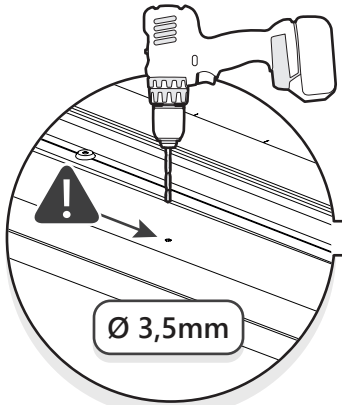
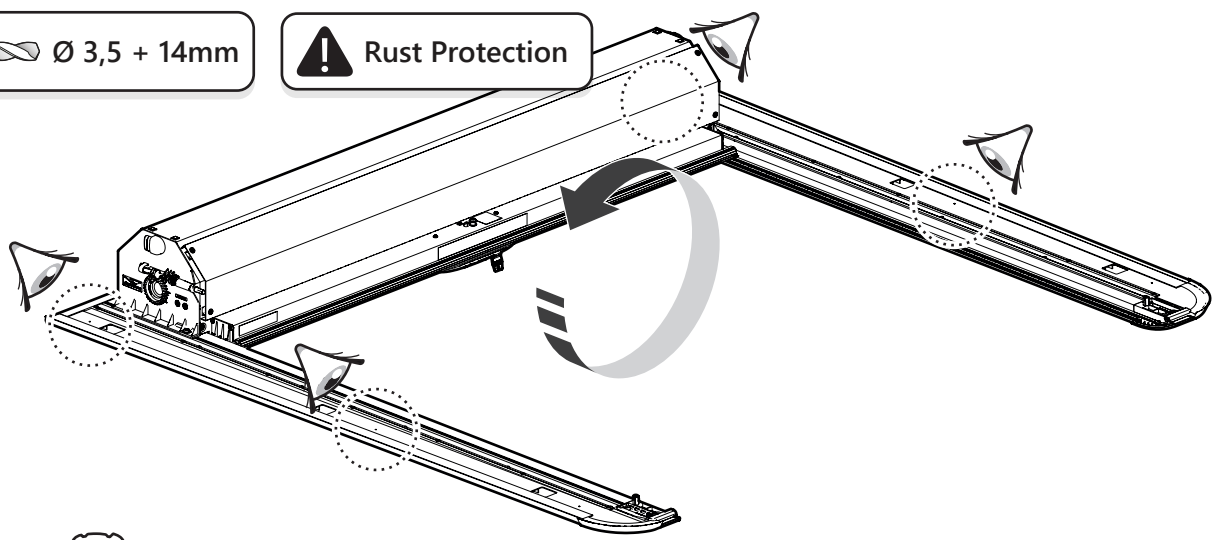
6mm 20Nm



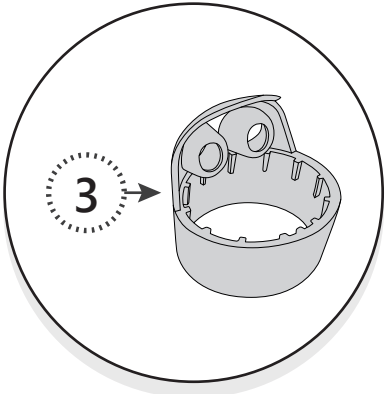
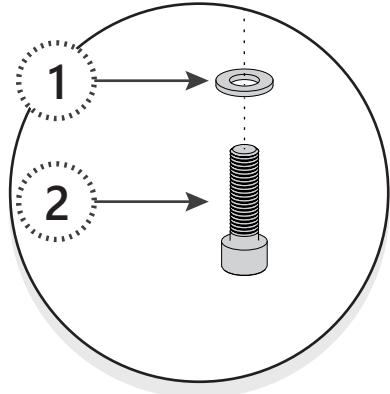
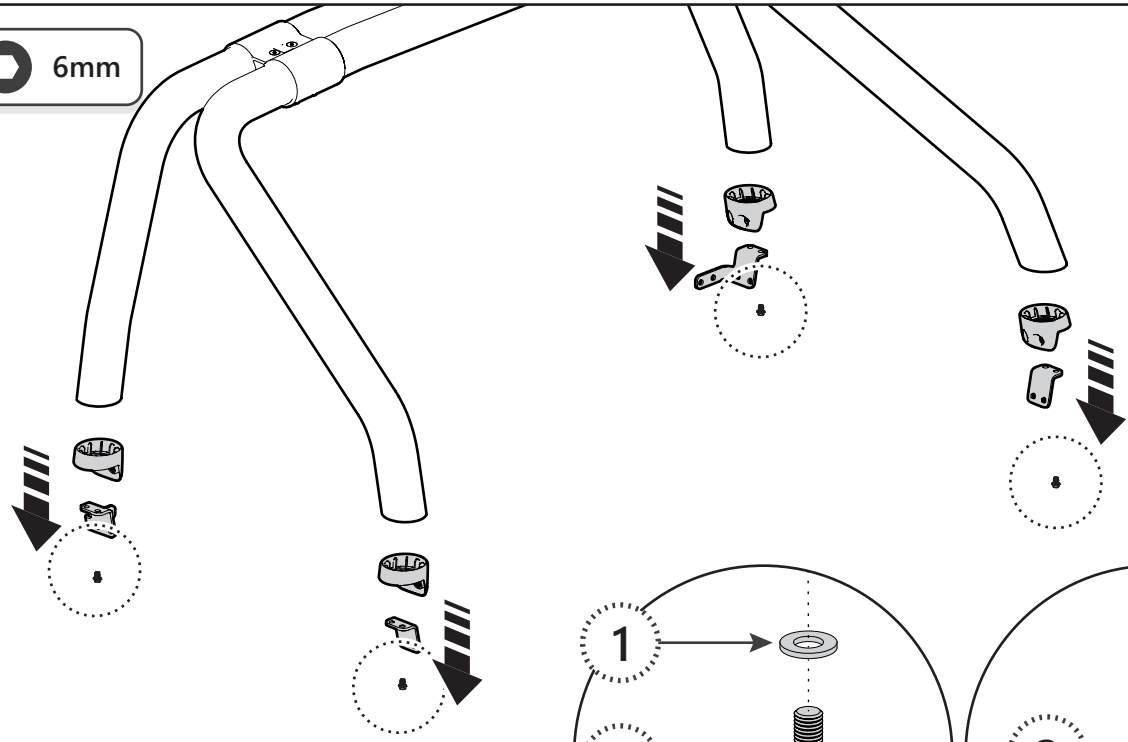


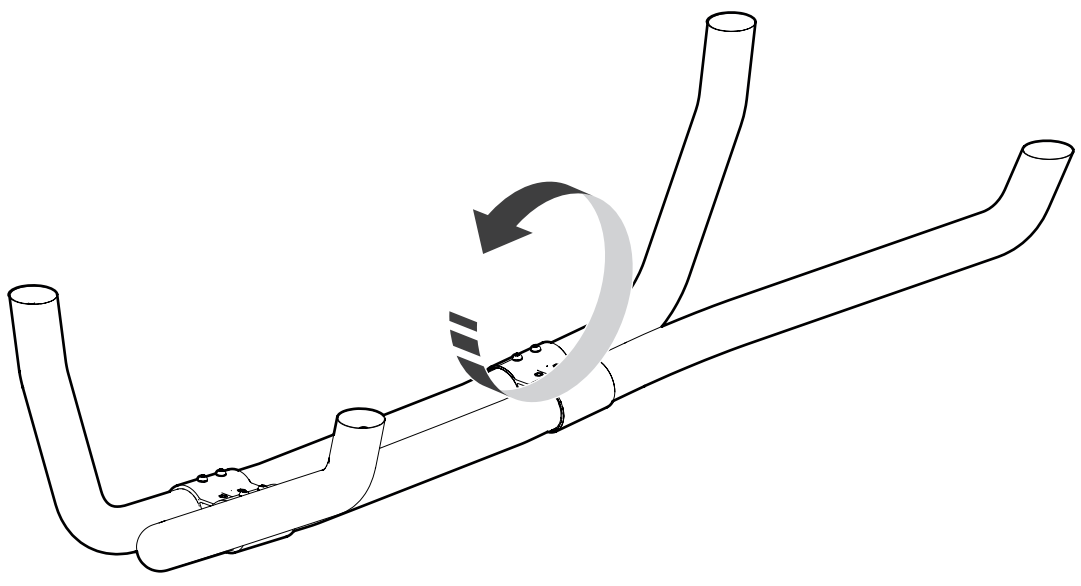
Ø 3,5 + 14mm

! Rust Protection

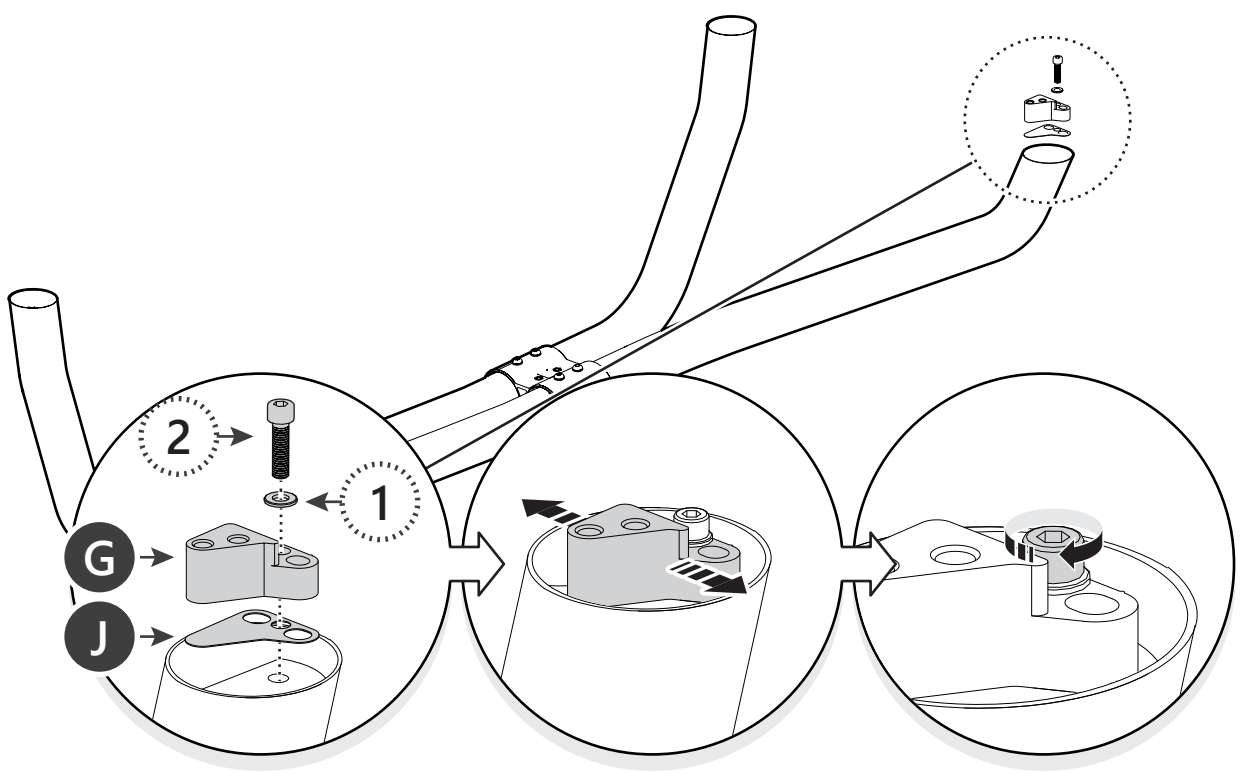


6mm

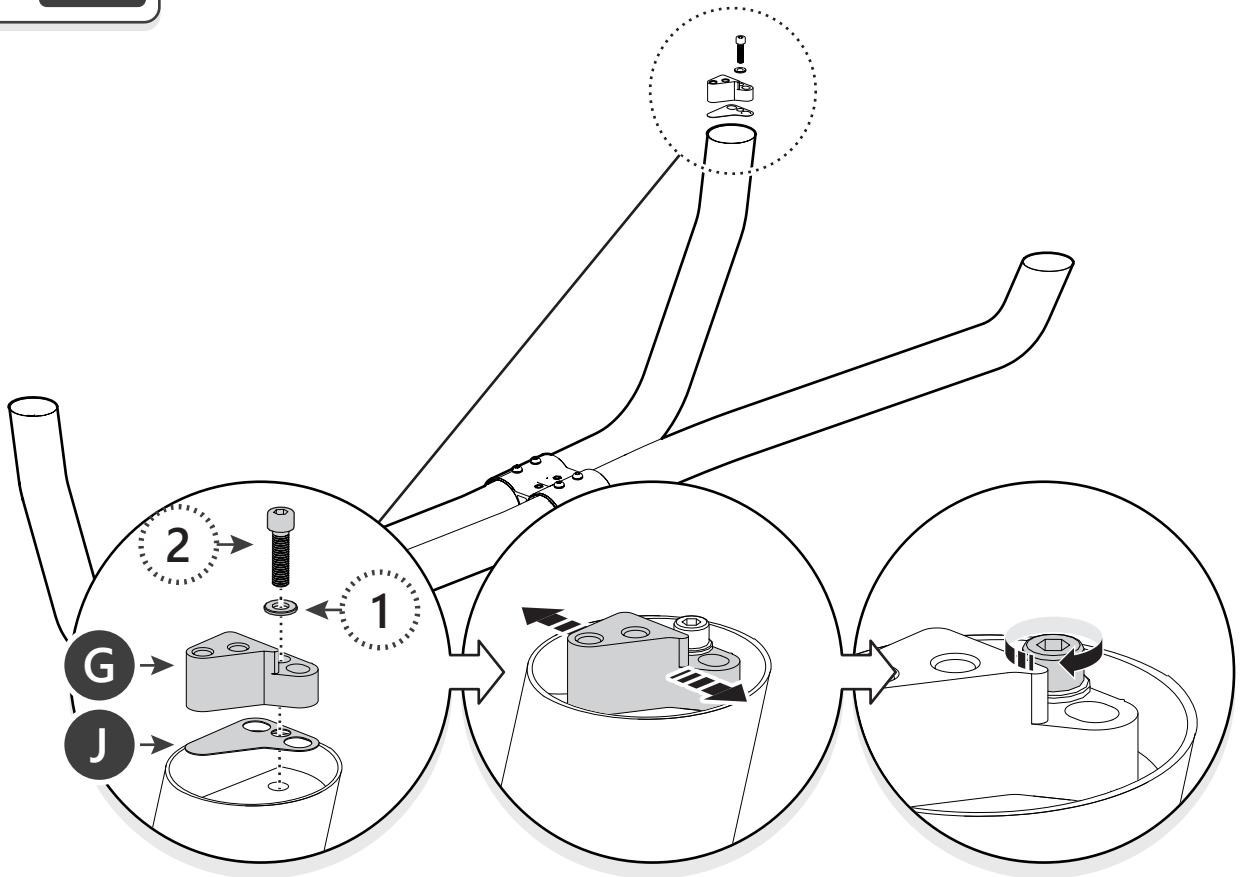




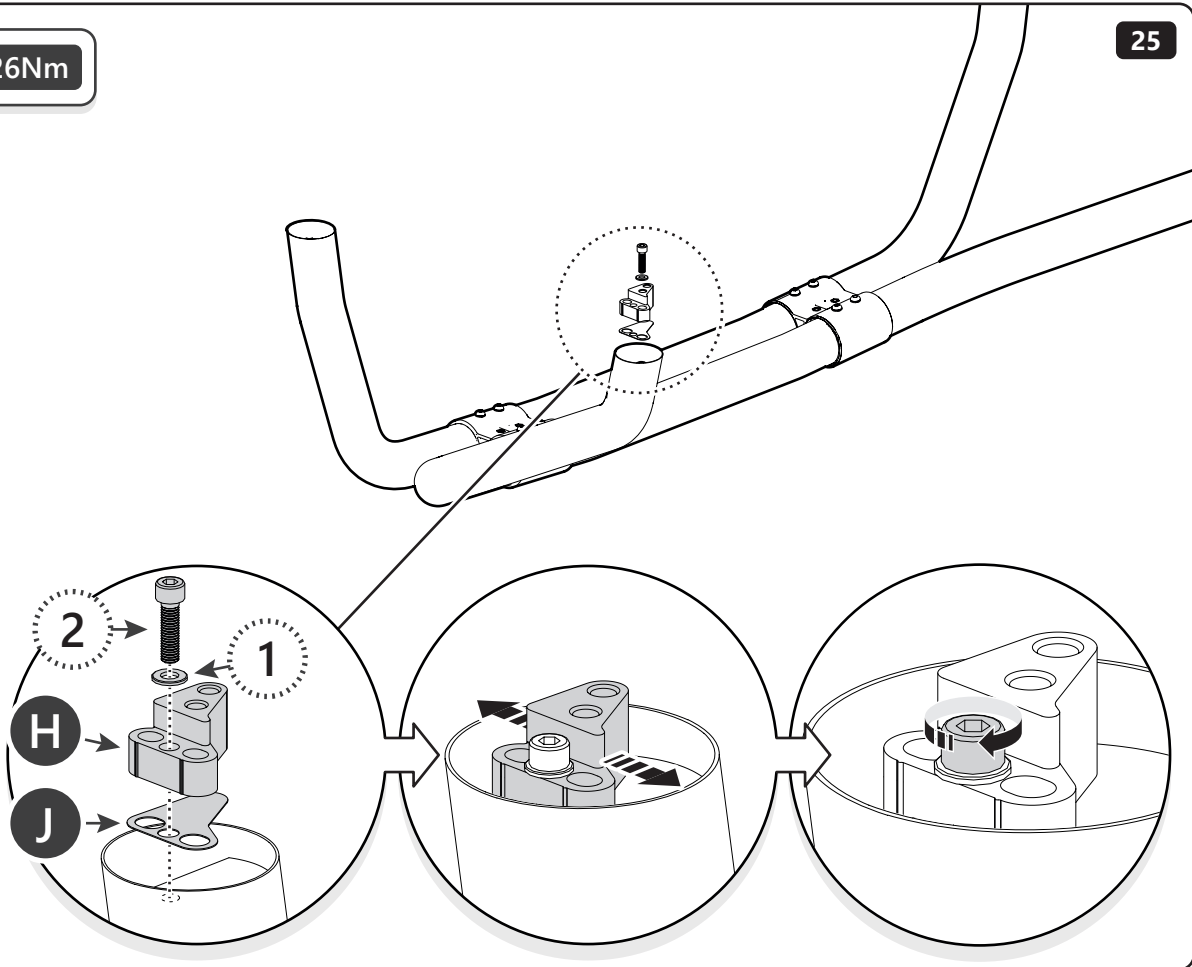
6mm 26Nm



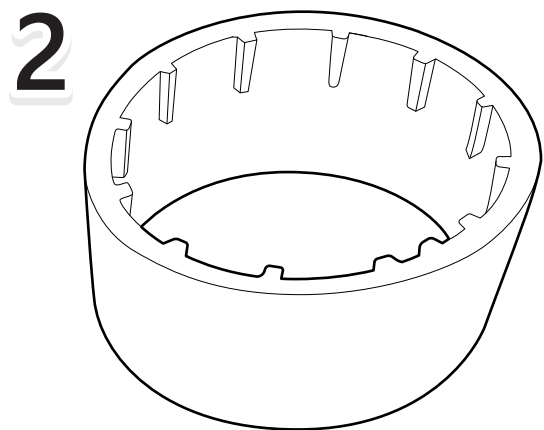
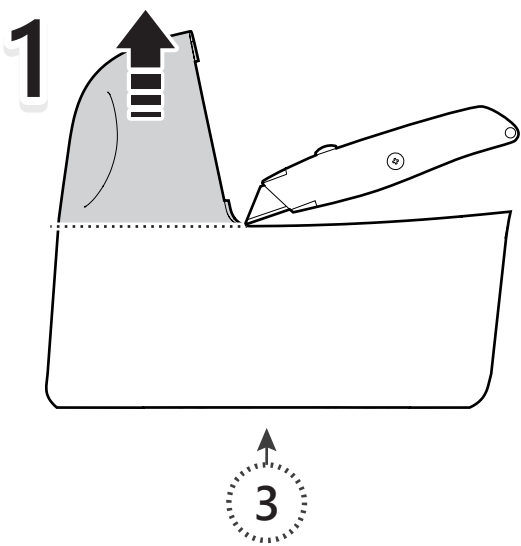
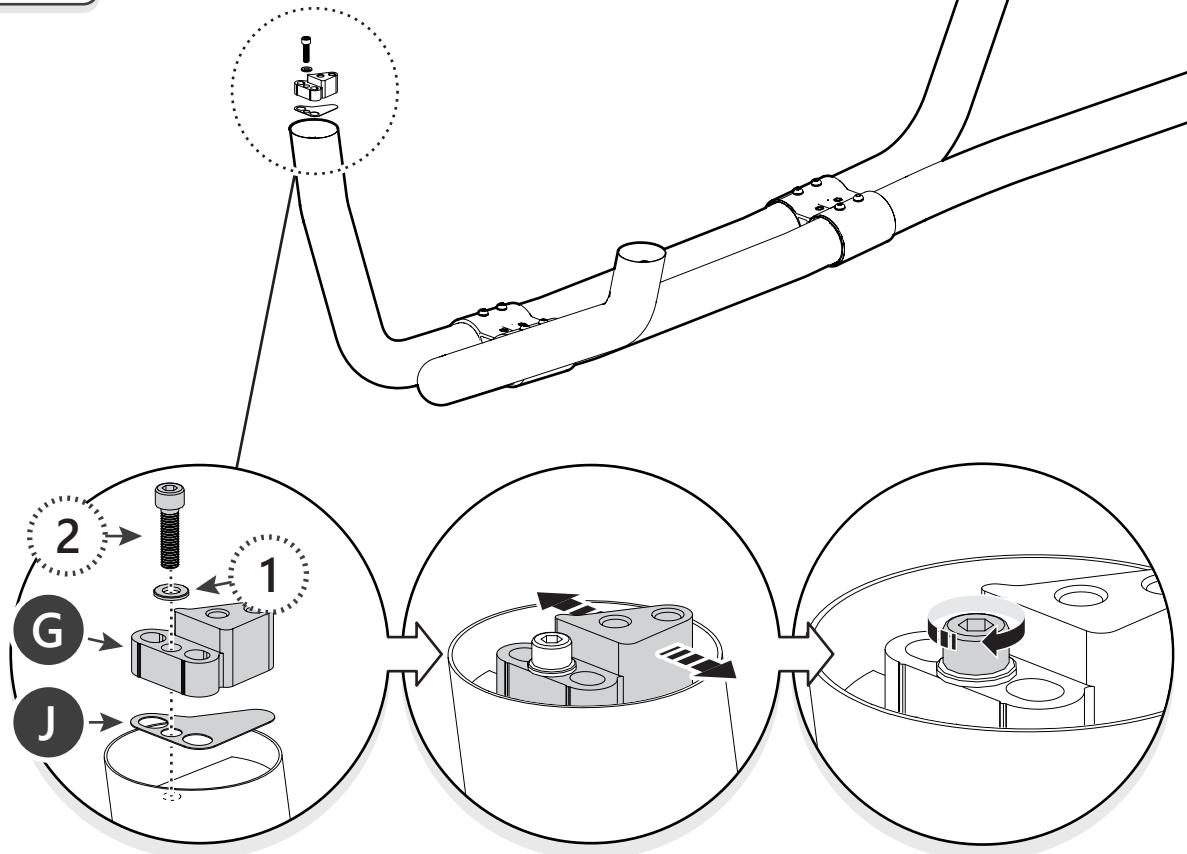
6mm 26Nm



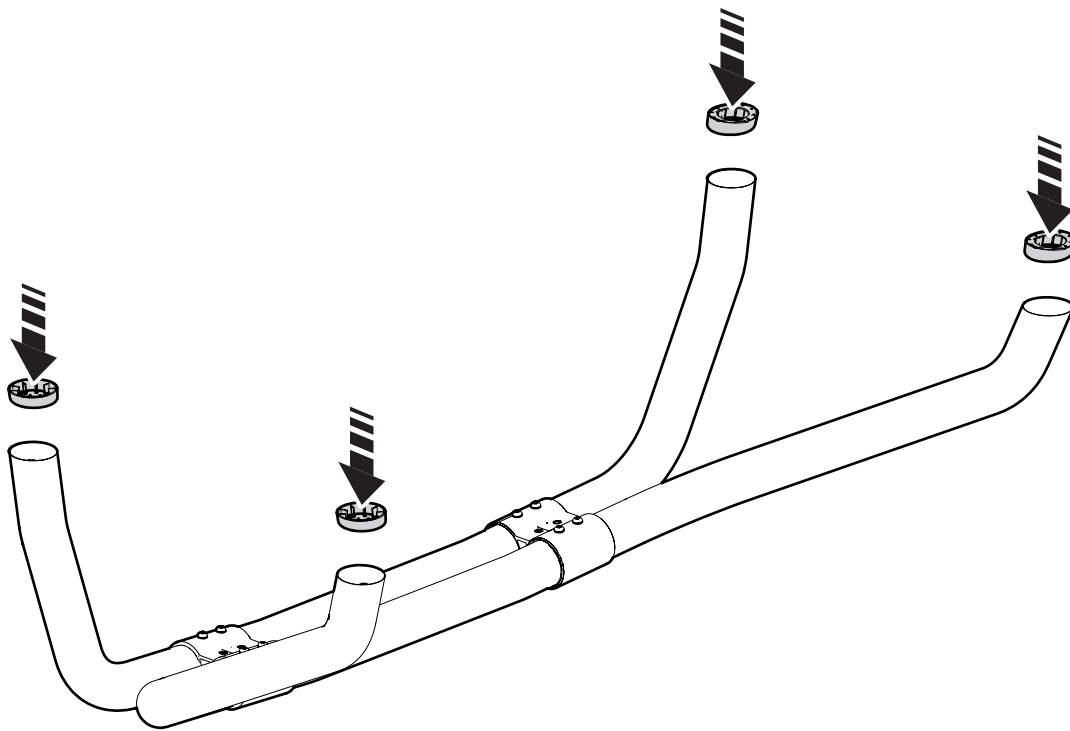
6mm 26Nm



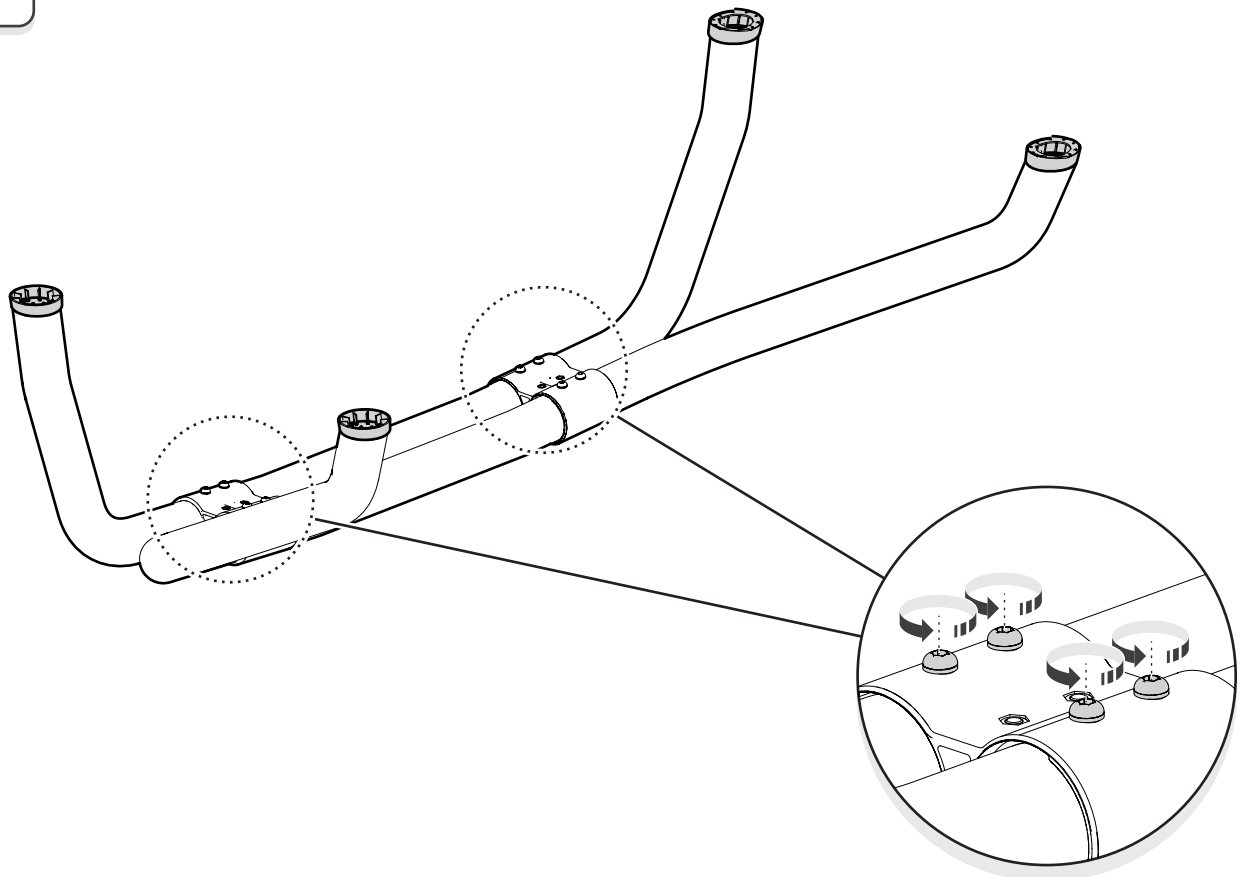
6mm 26Nm



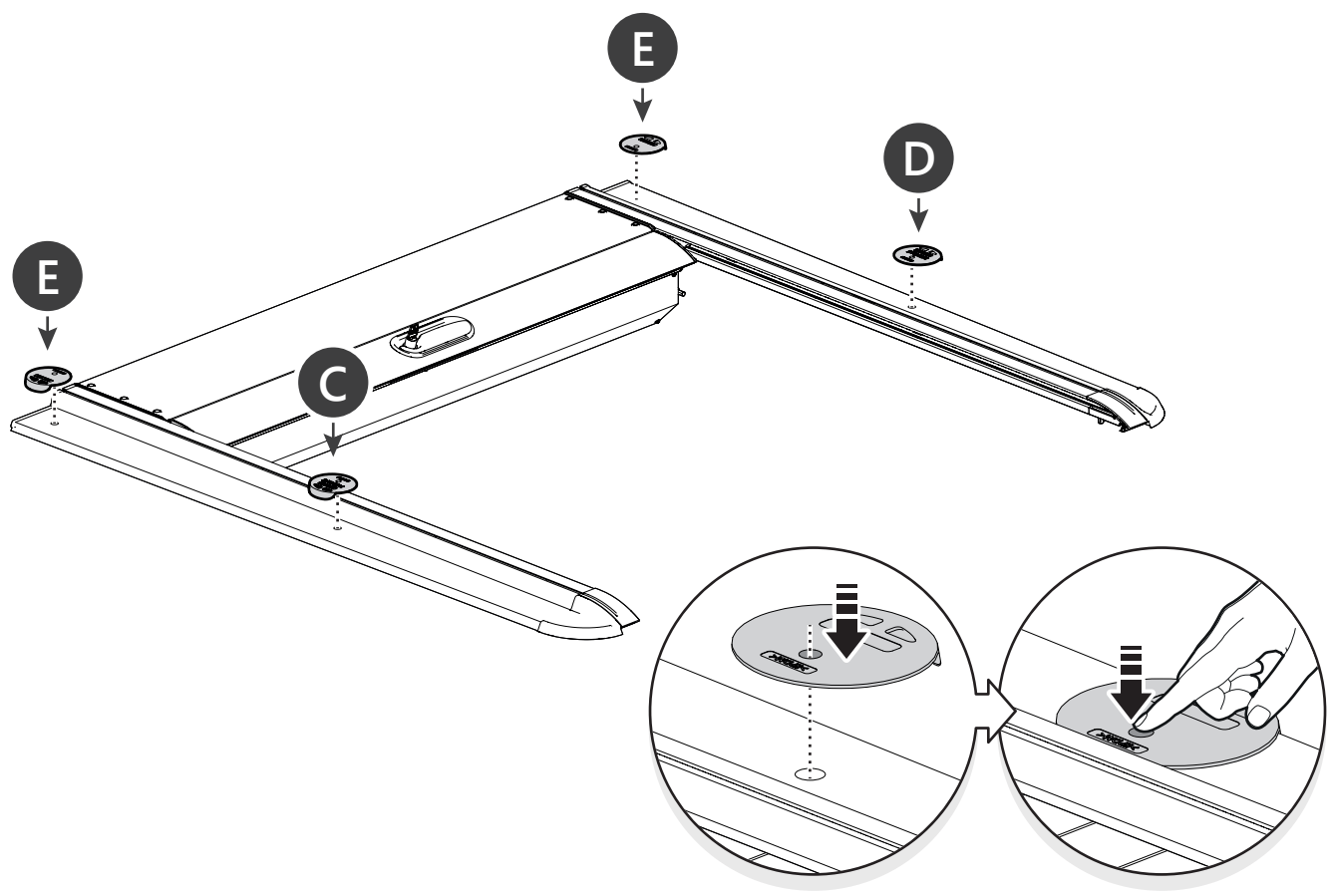
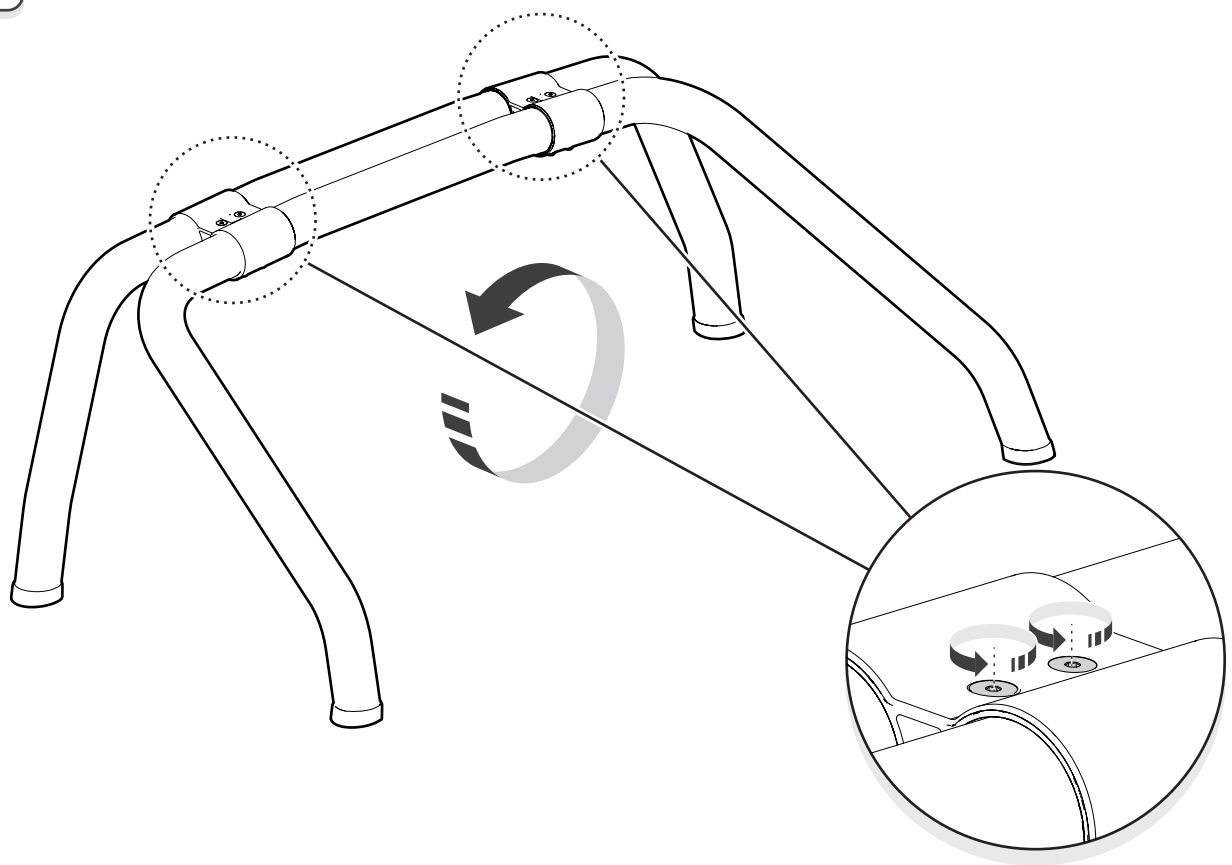
x 4



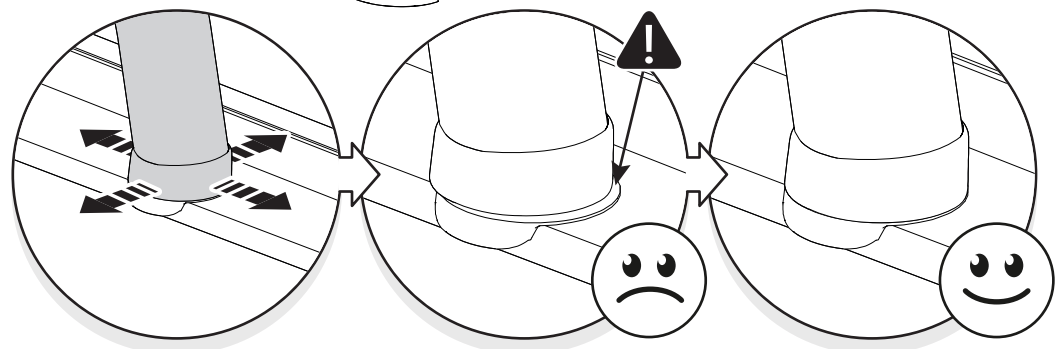
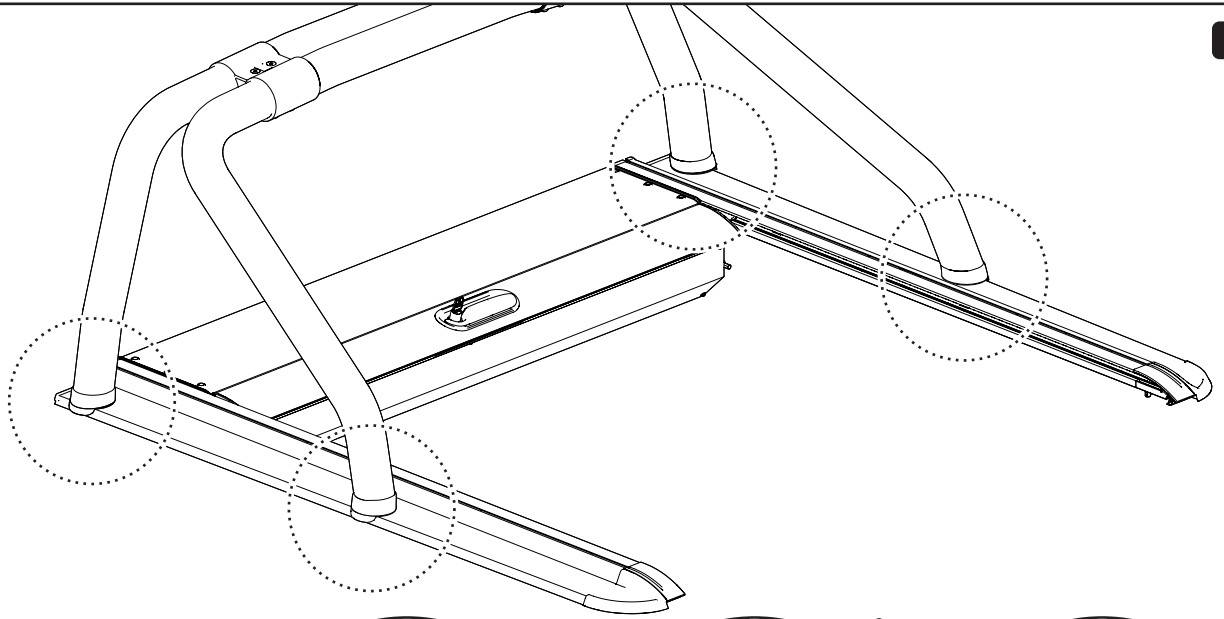
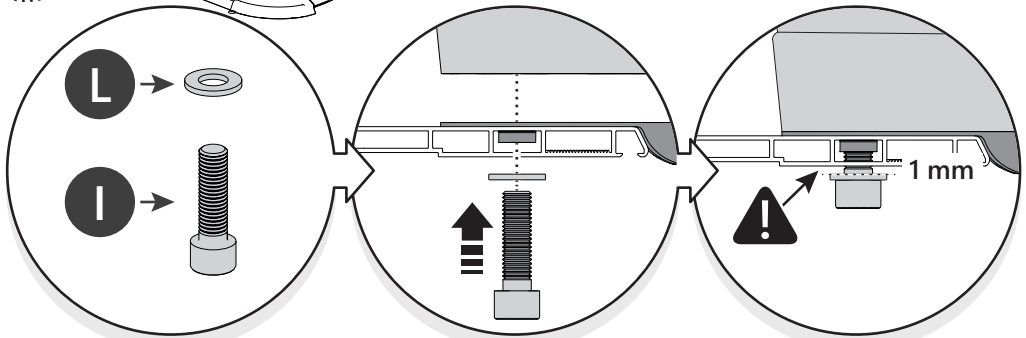
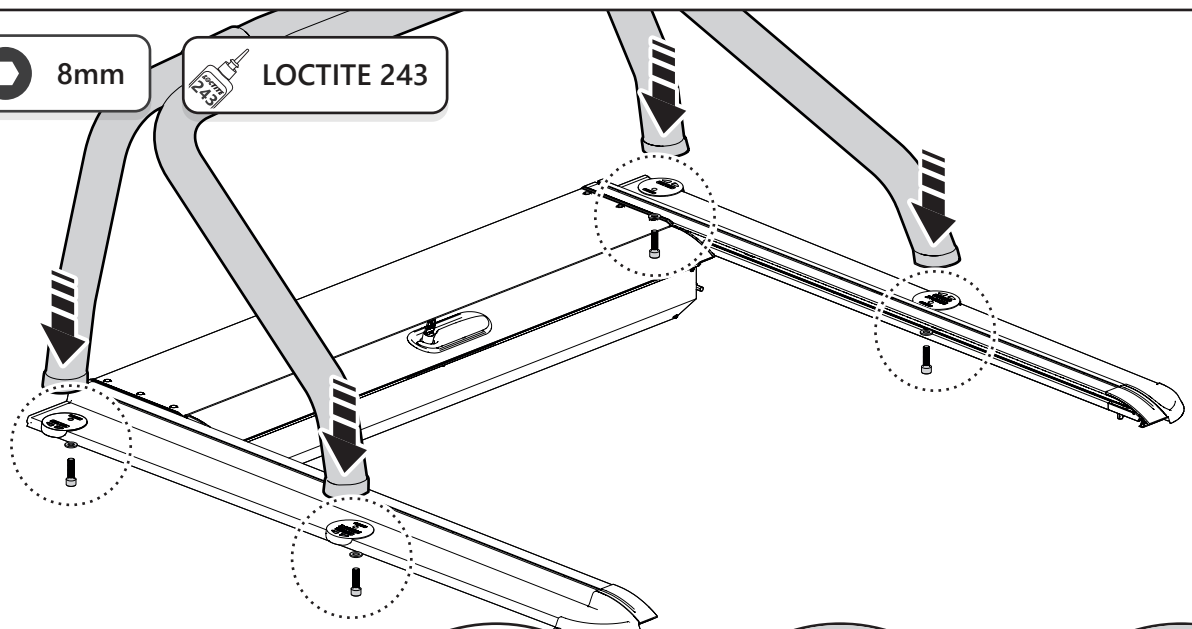
 6mm



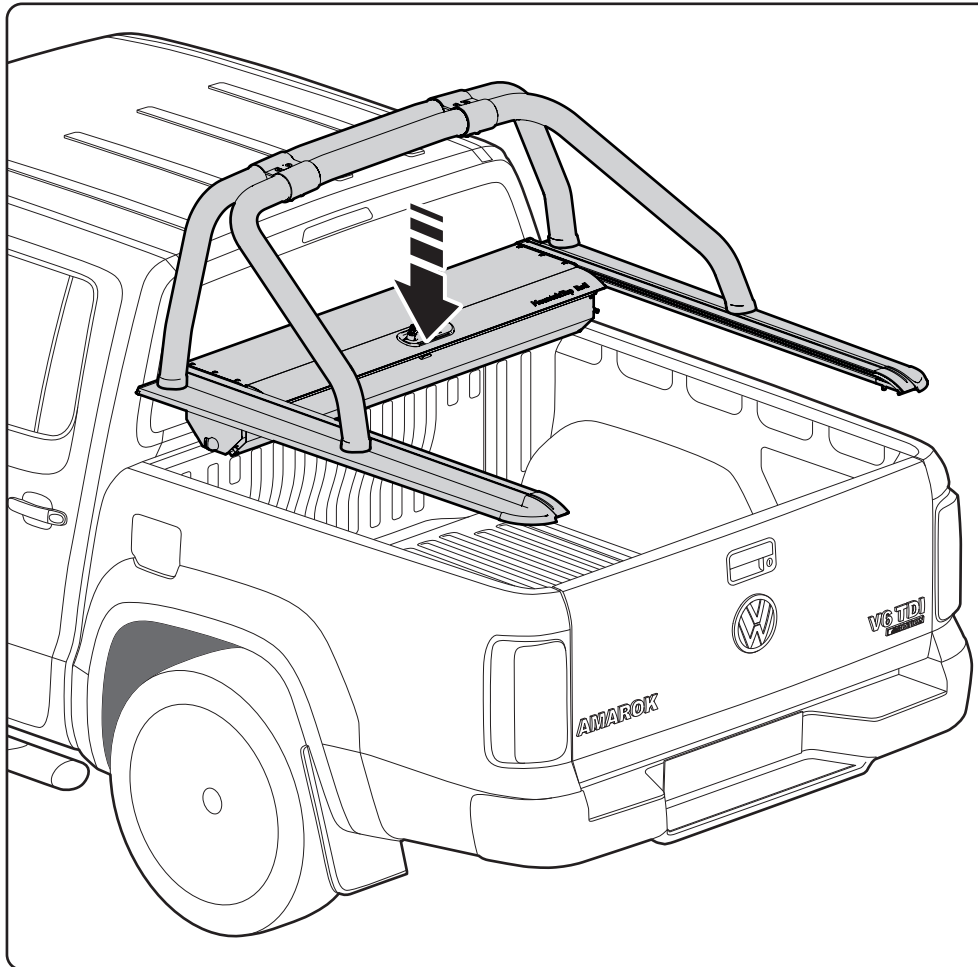
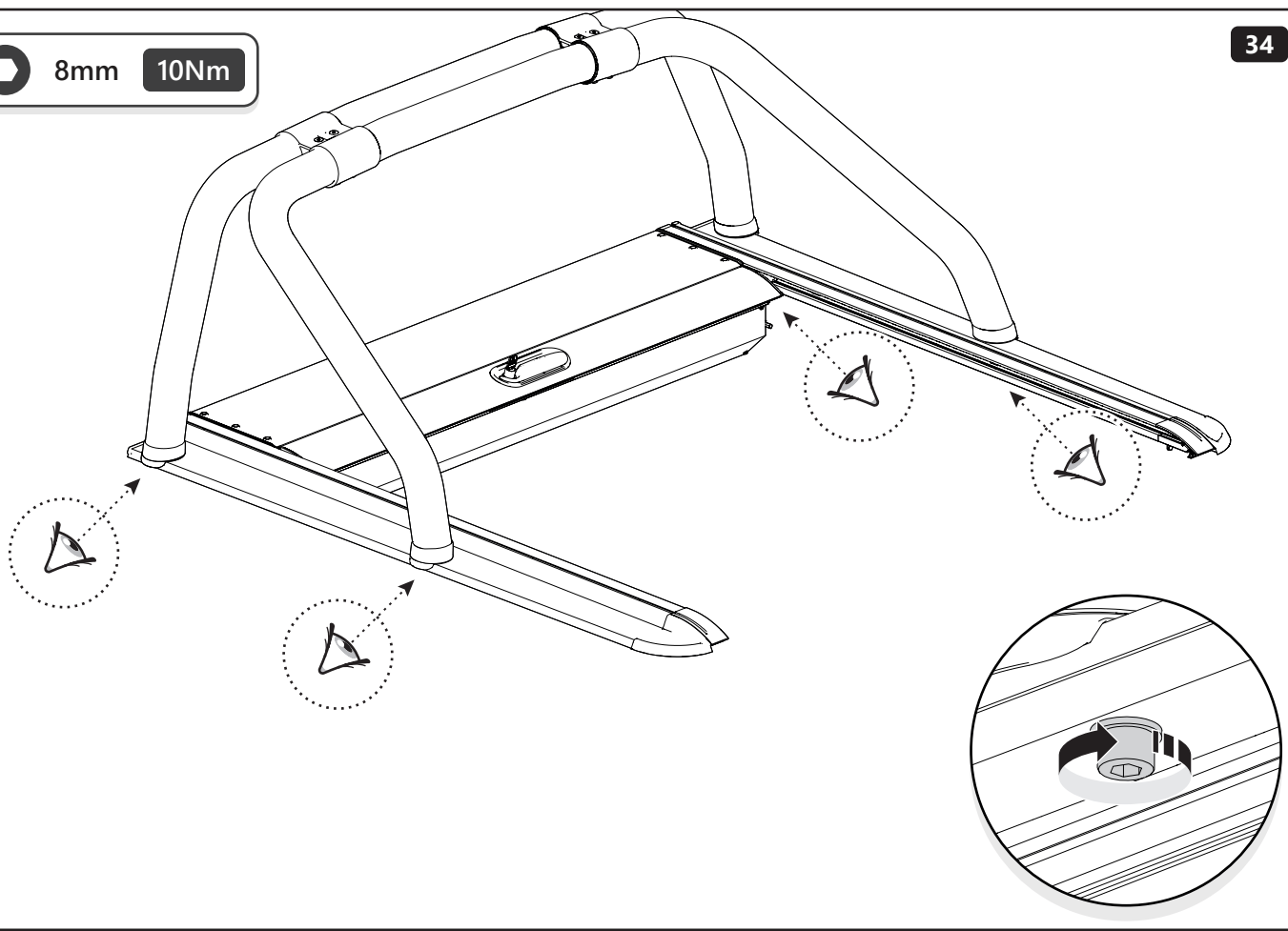
5mm



8mm
LOCTITE 243



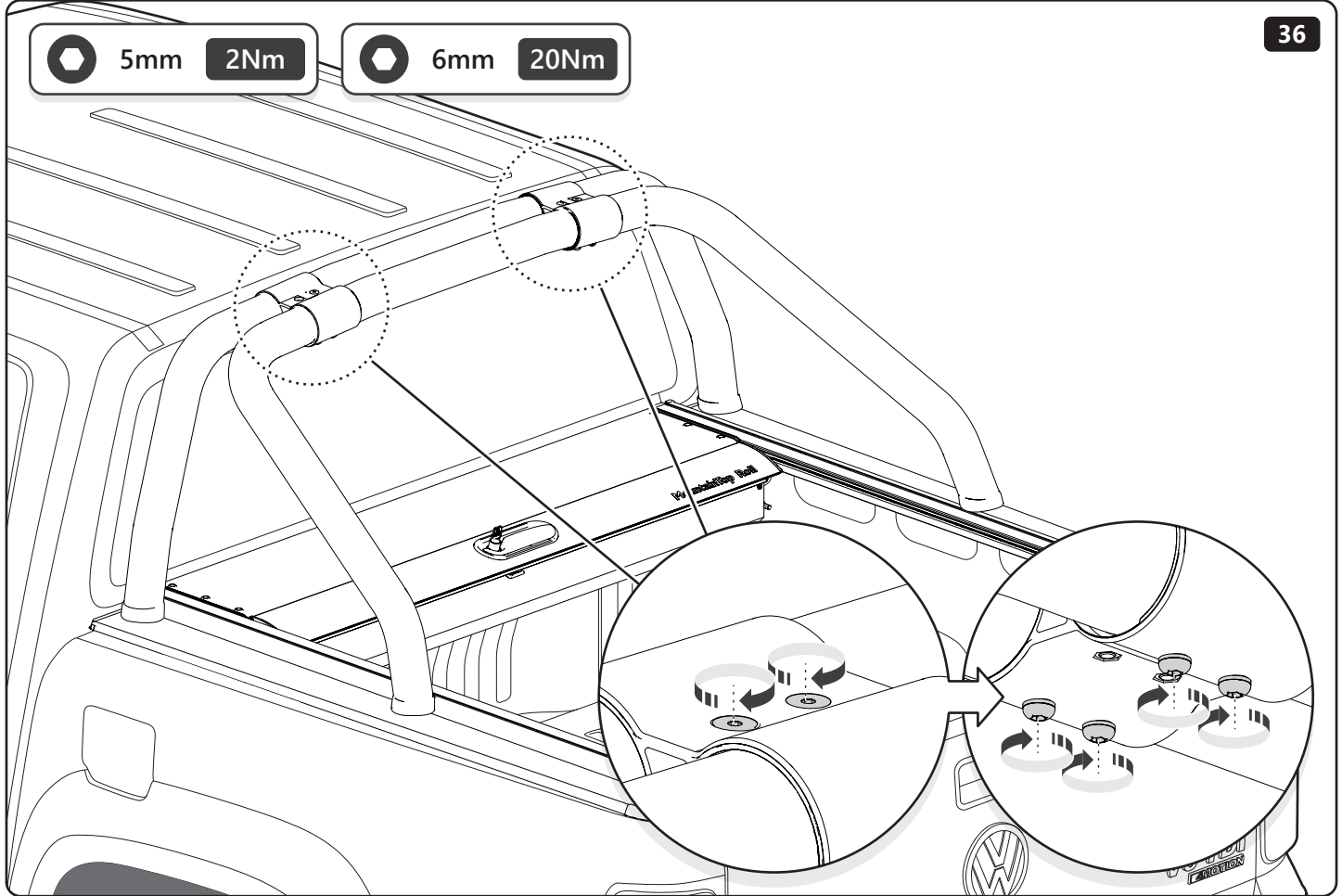
8mm 10Nm

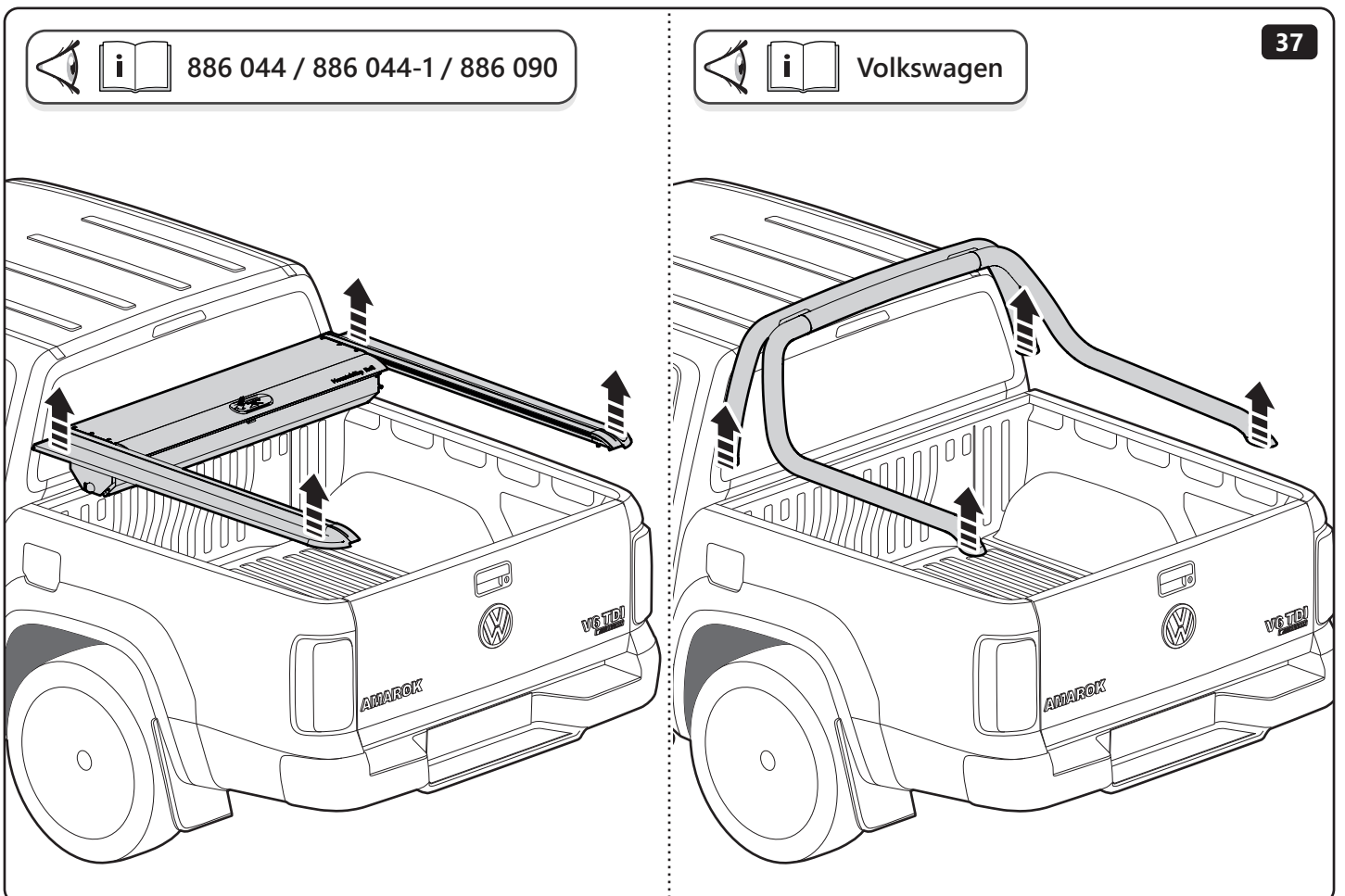
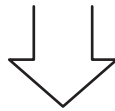
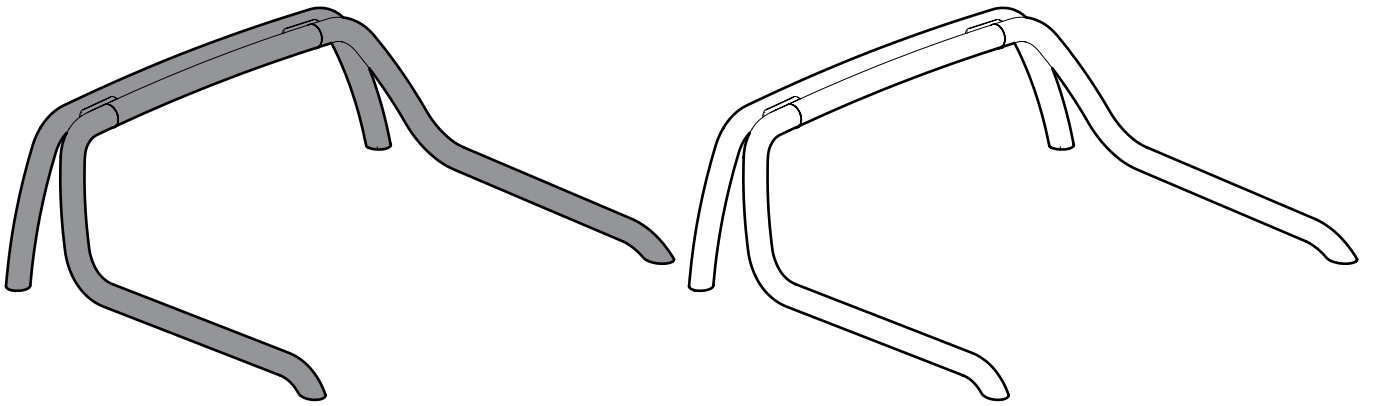


886 044
886 044-1
886 090

DOWNLOAD PDF

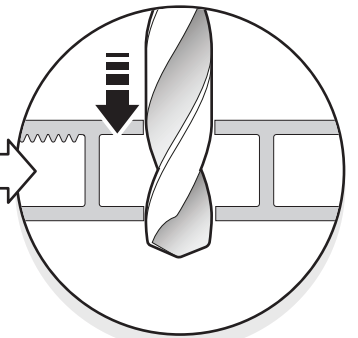
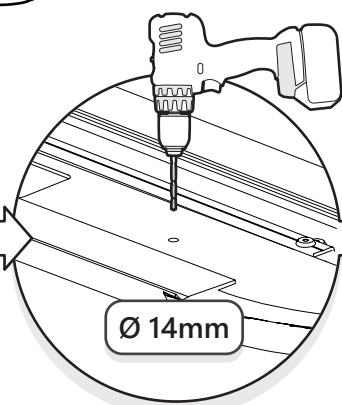
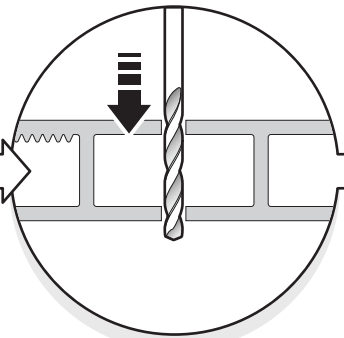
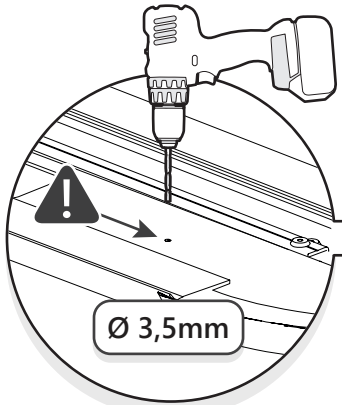
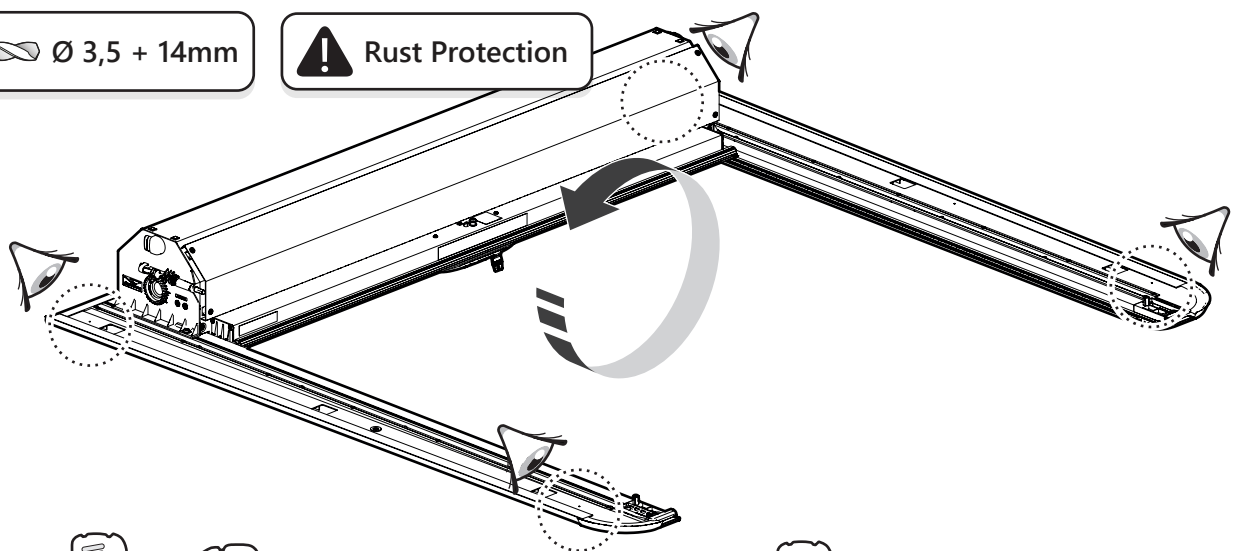
5mm 2Nm 6mm 20Nm



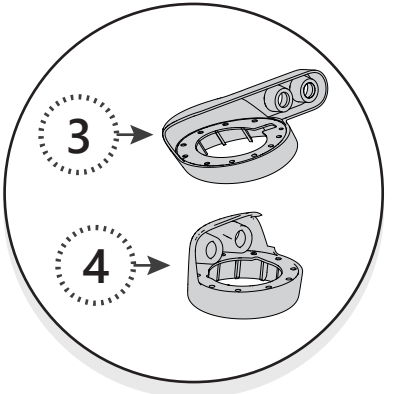
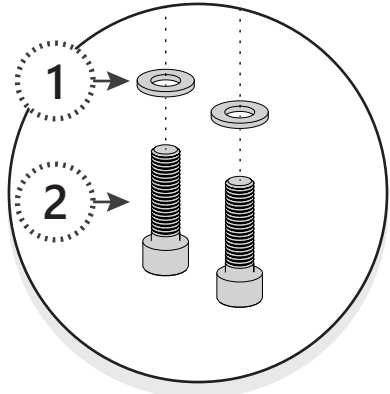
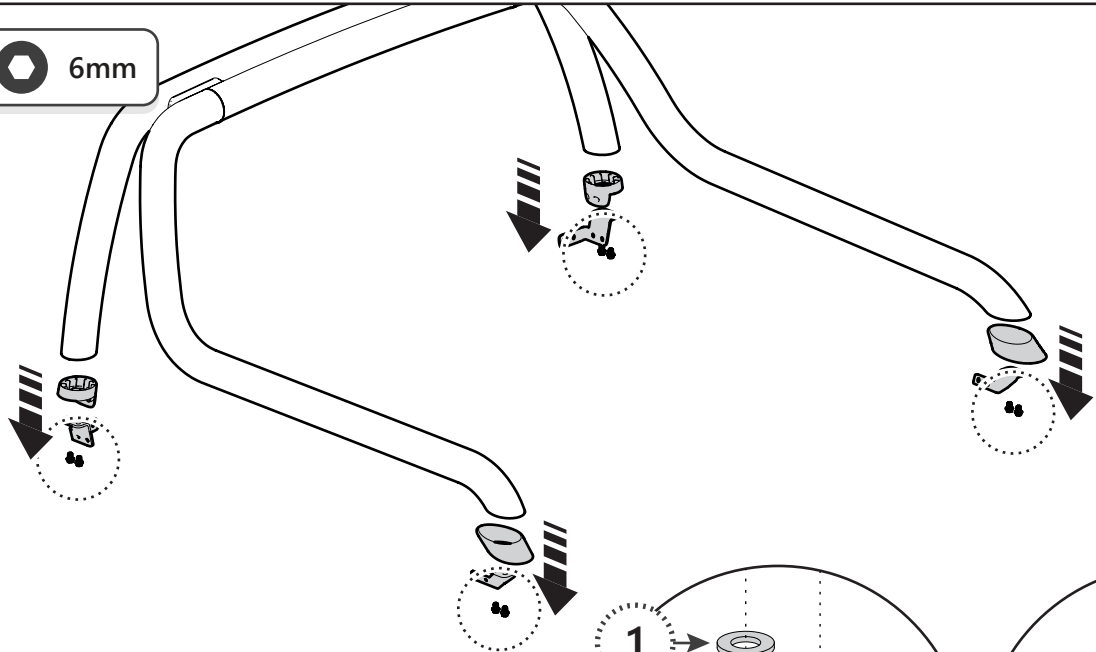


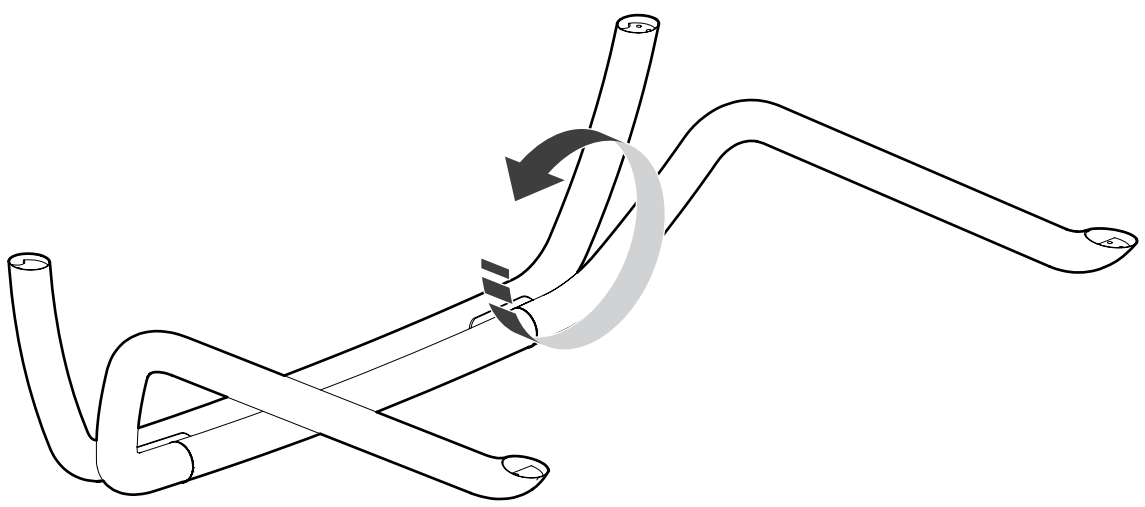
Ø 3,5 + 14mm

! Rust Protection

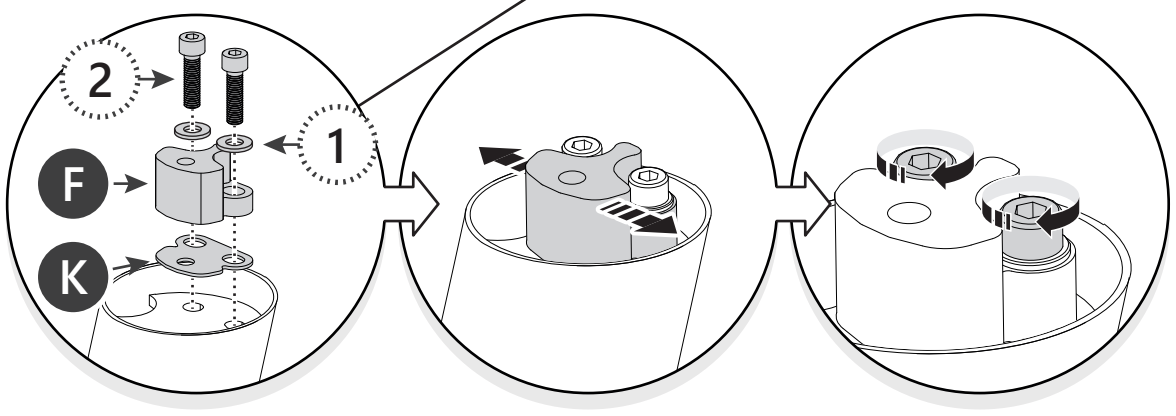
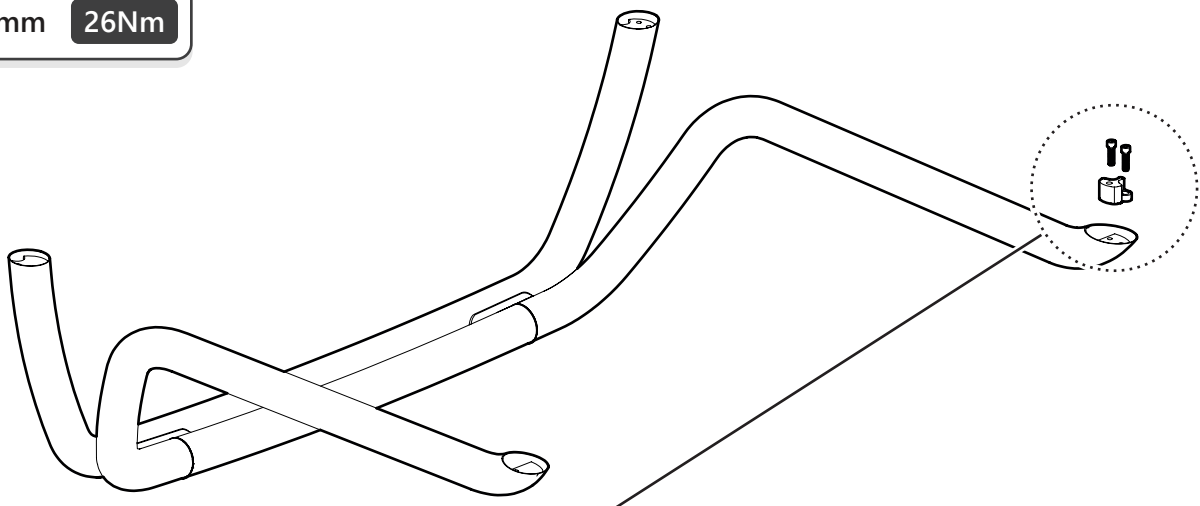


6mm

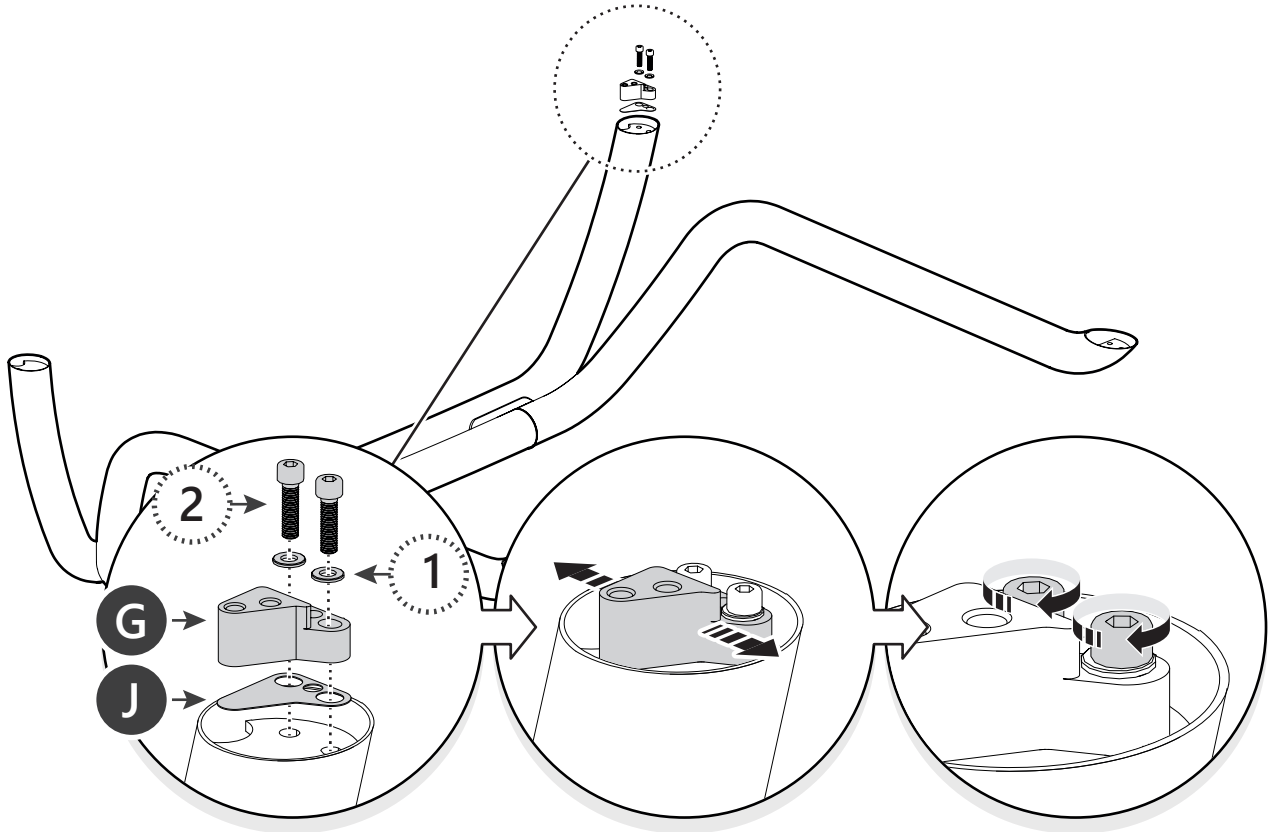




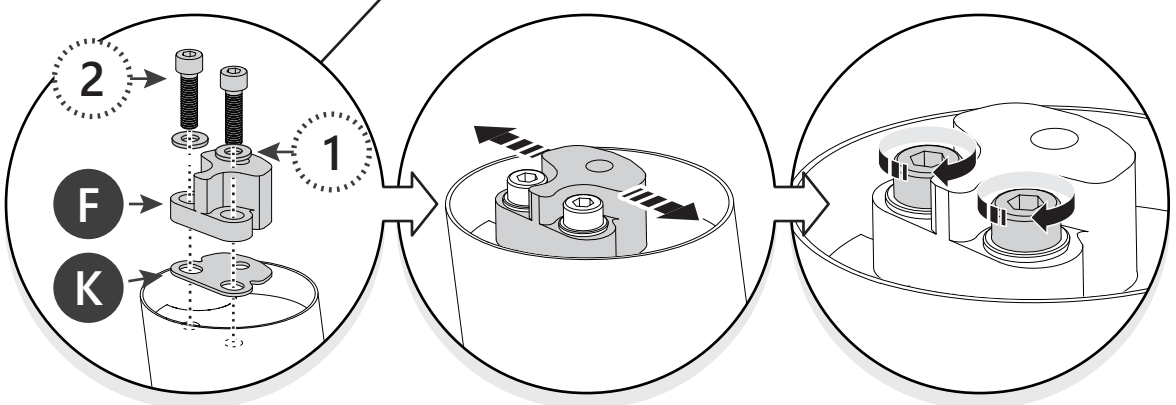
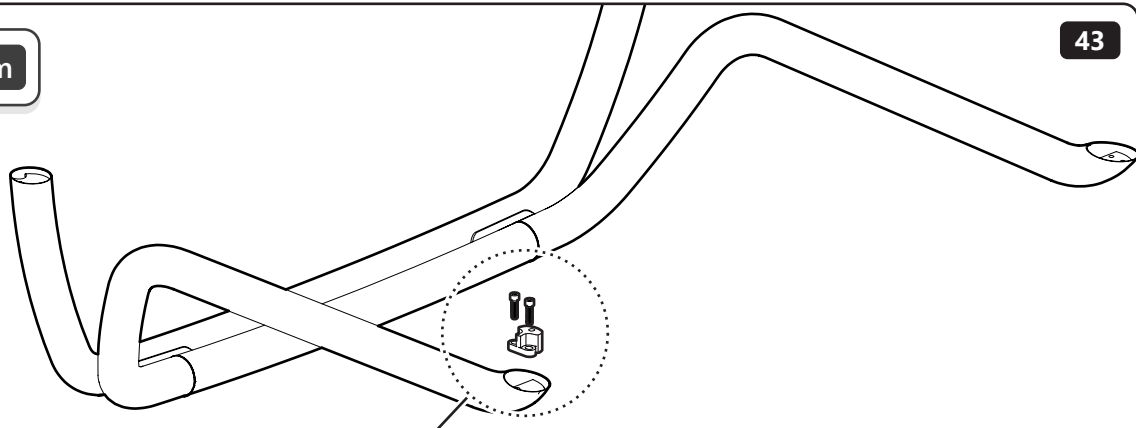
 6mm **26Nm**



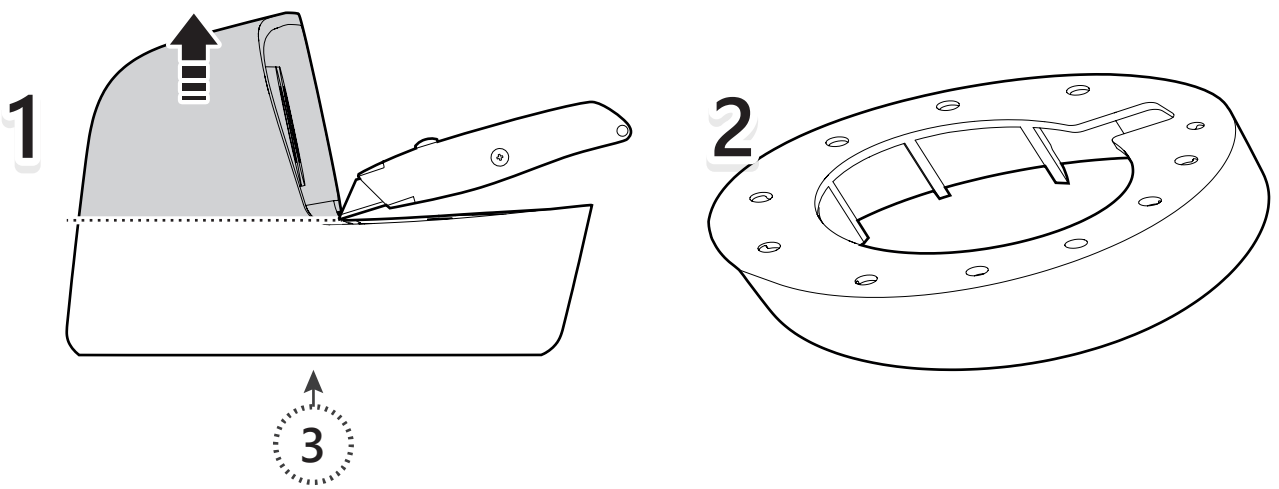
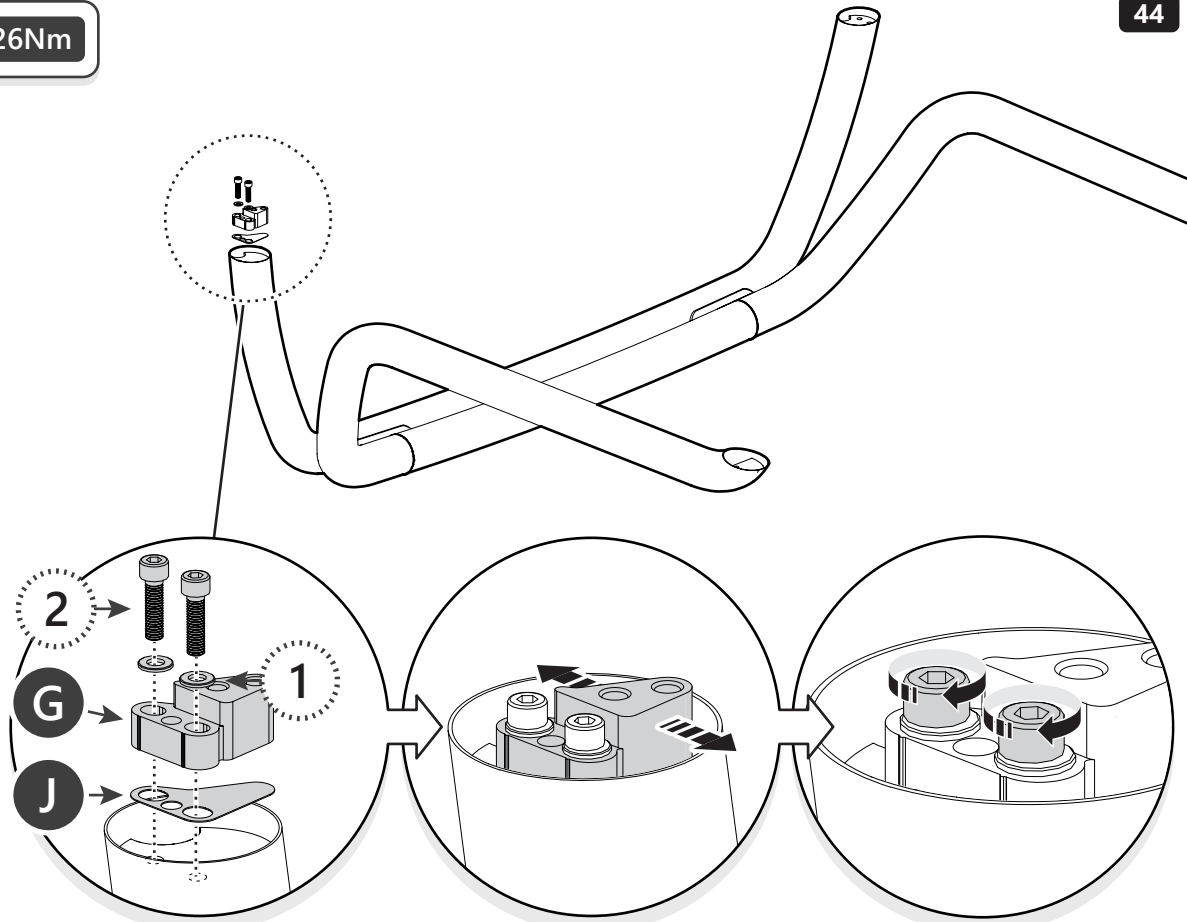
6mm 26Nm



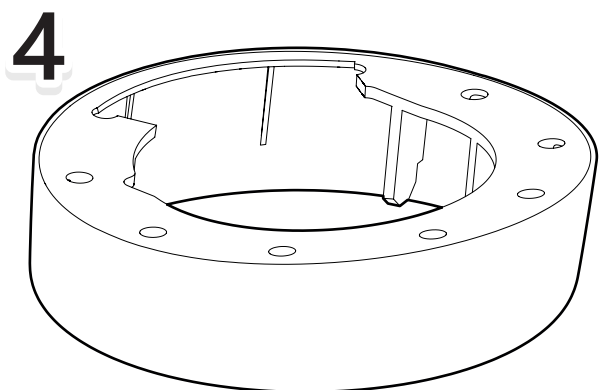
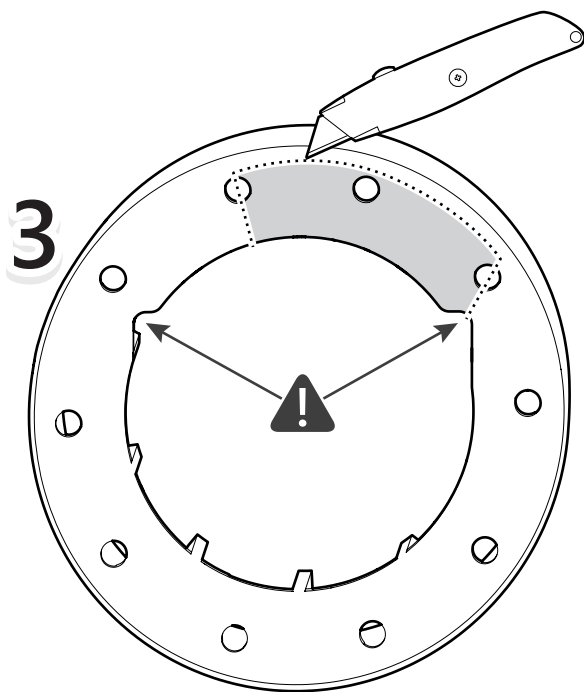
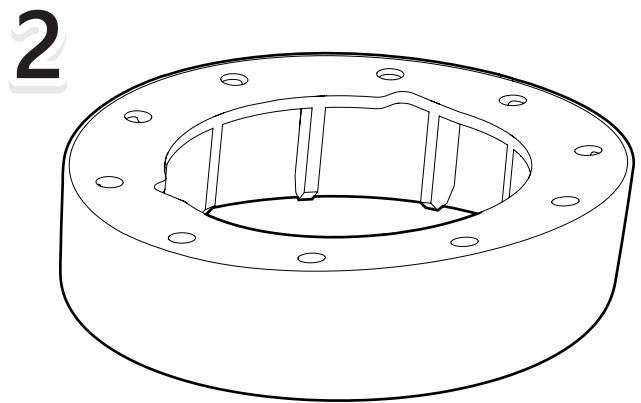
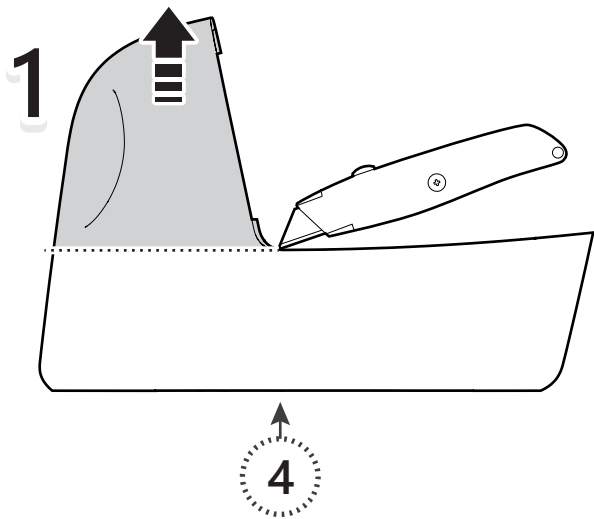
6mm 26Nm



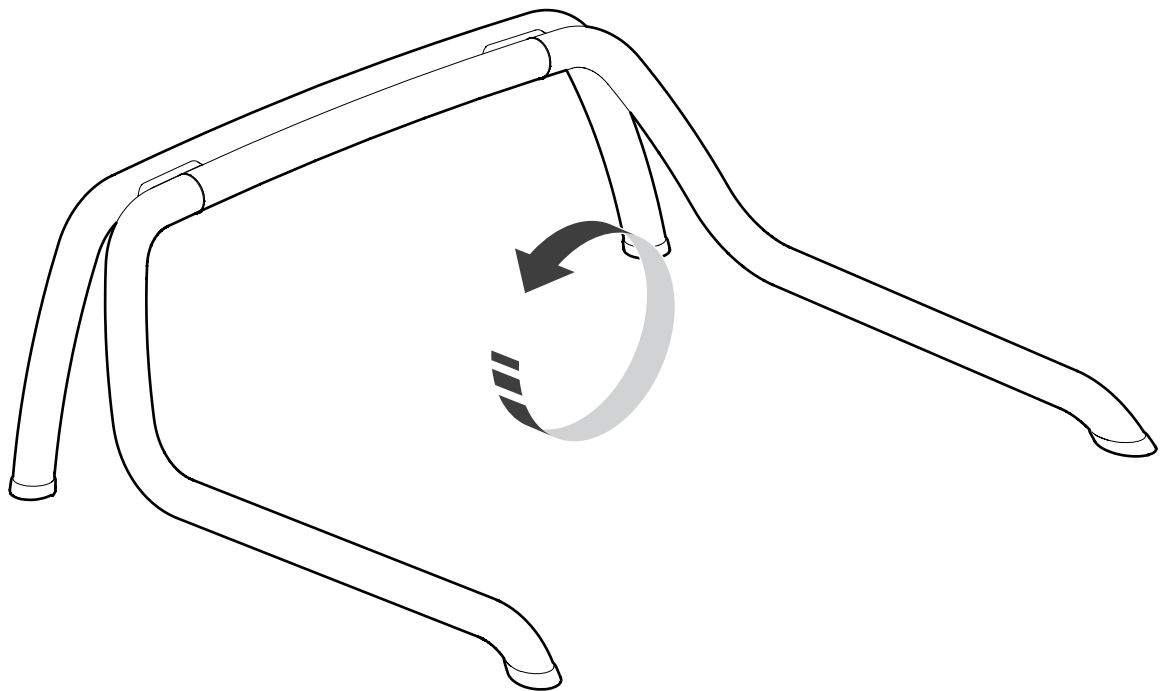
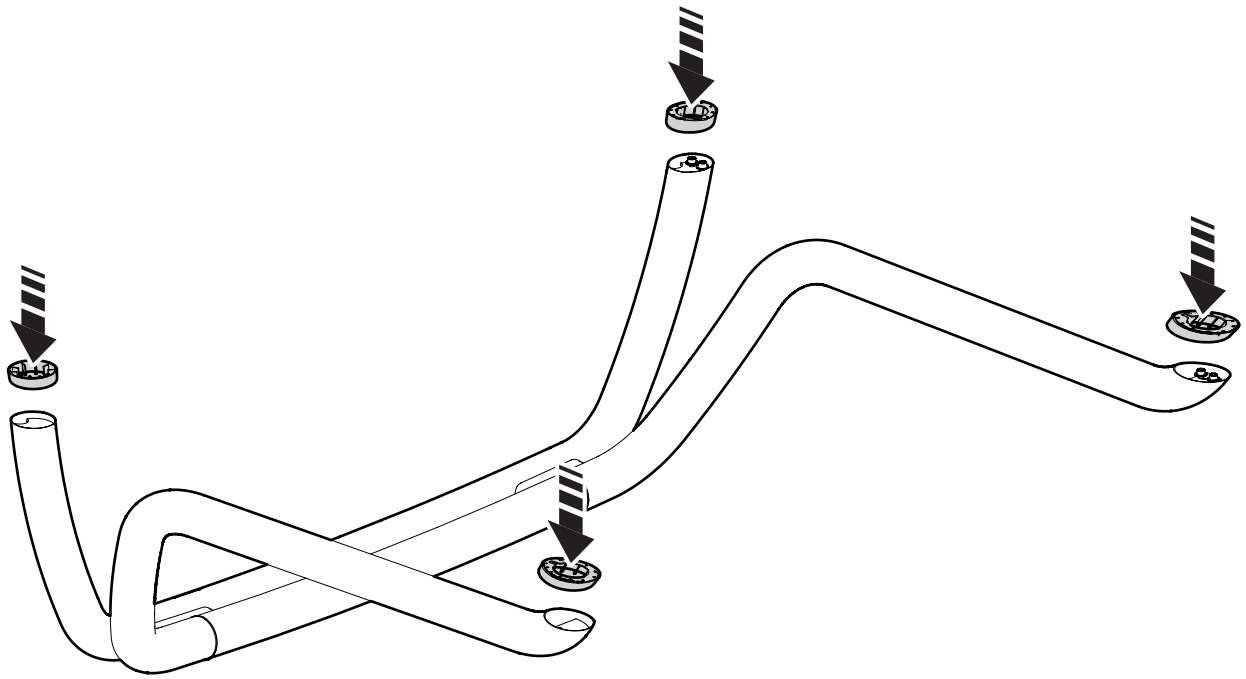
6mm 26Nm

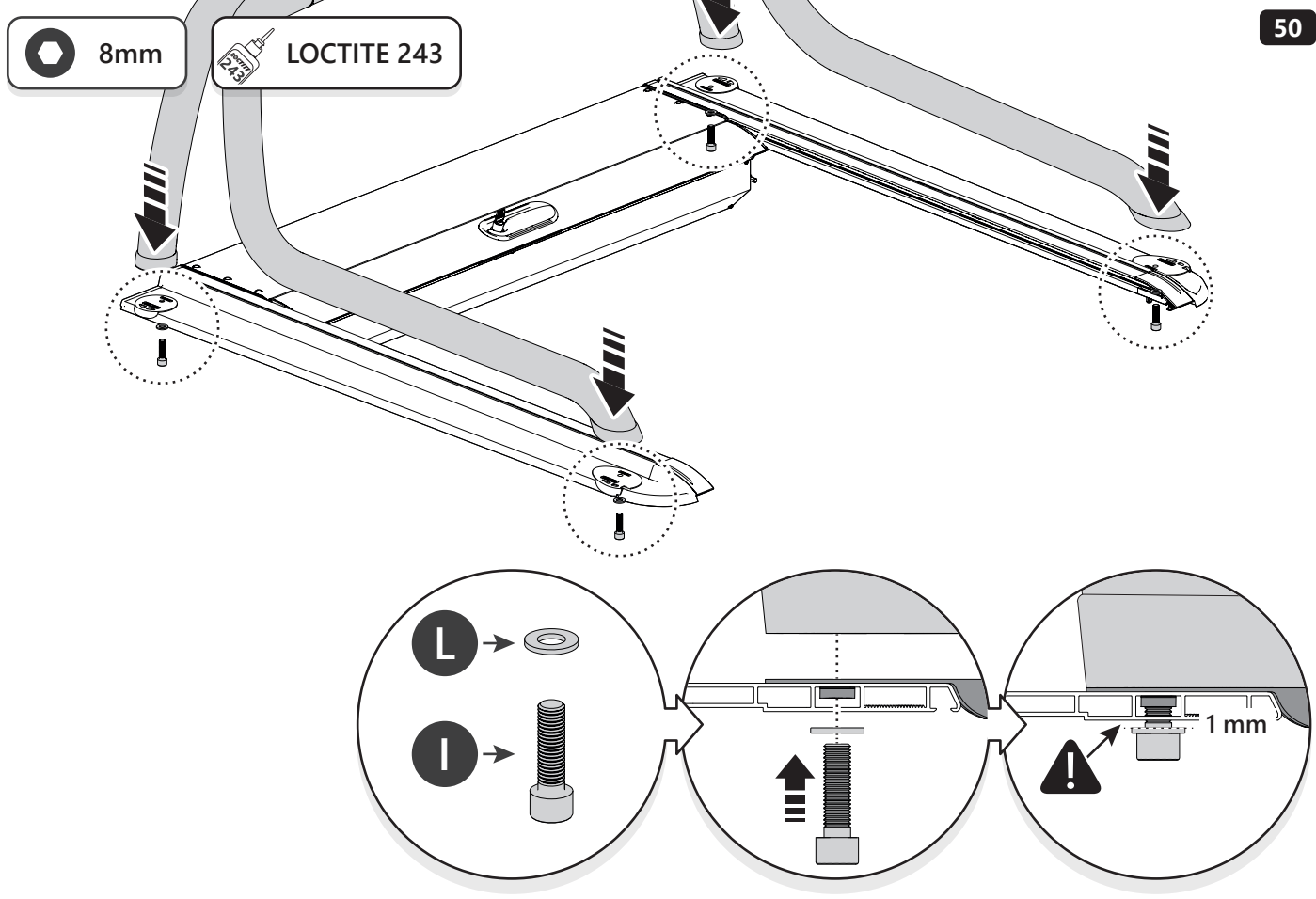
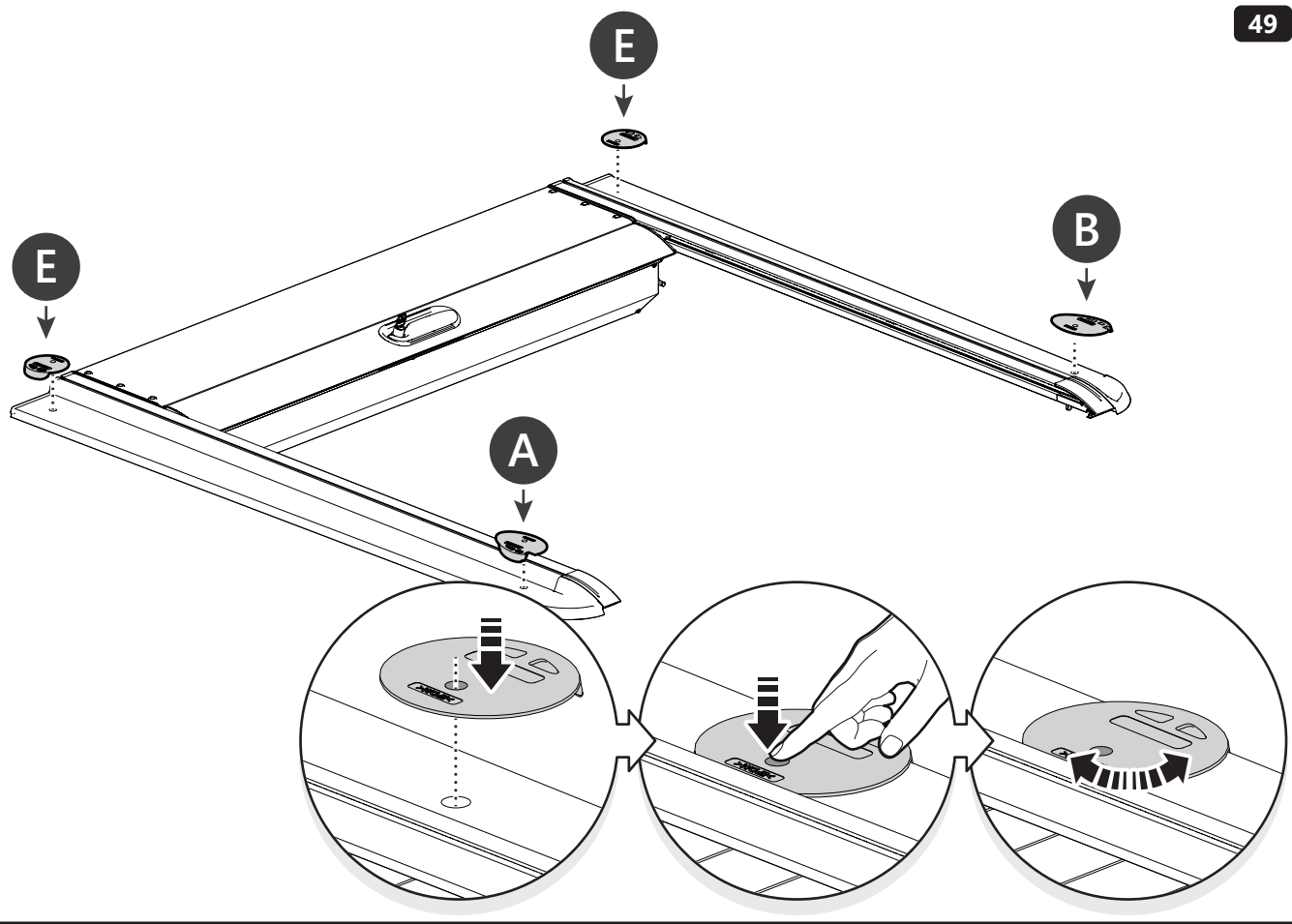


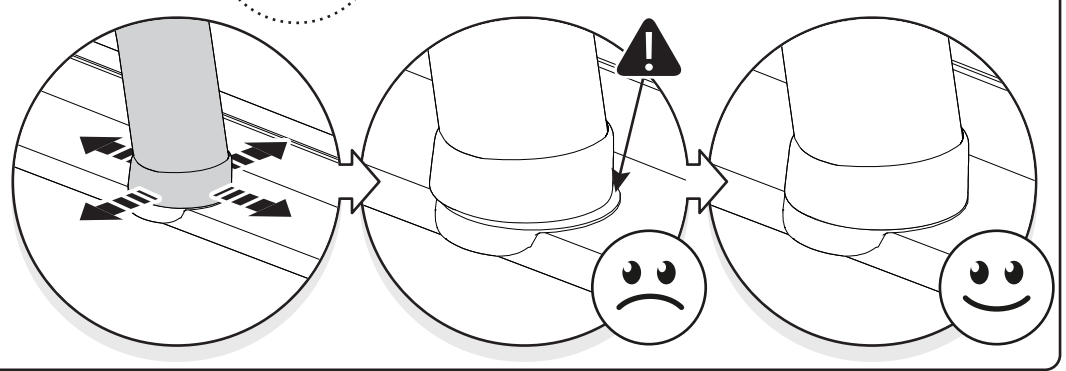
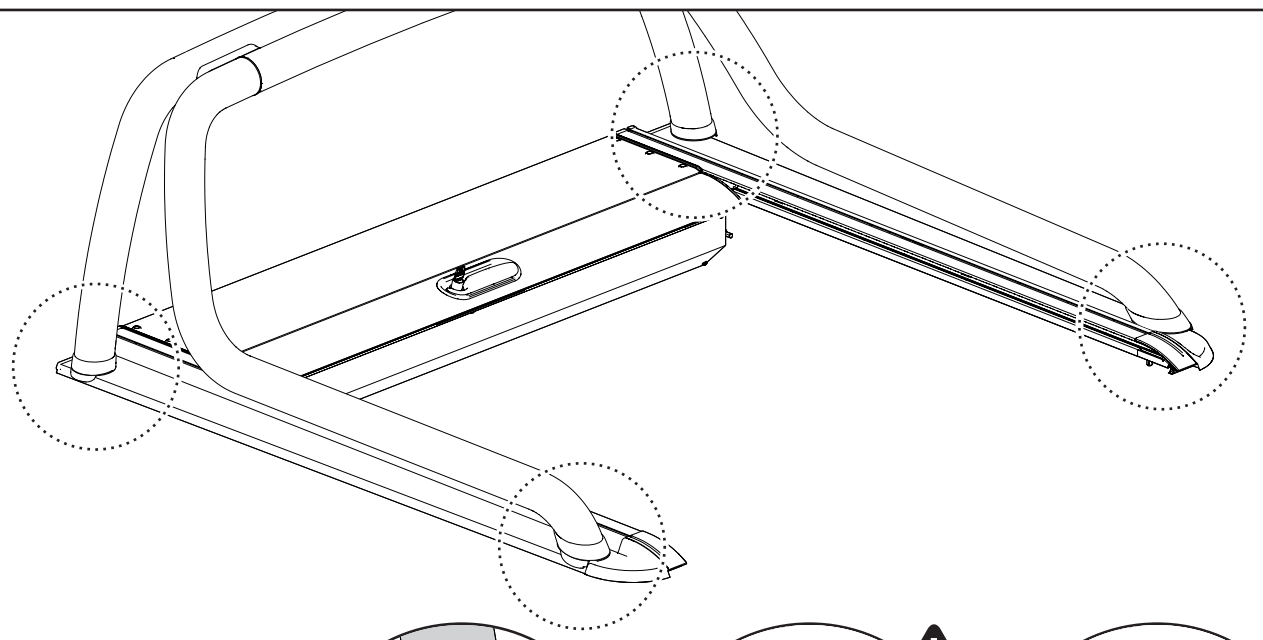
x 2





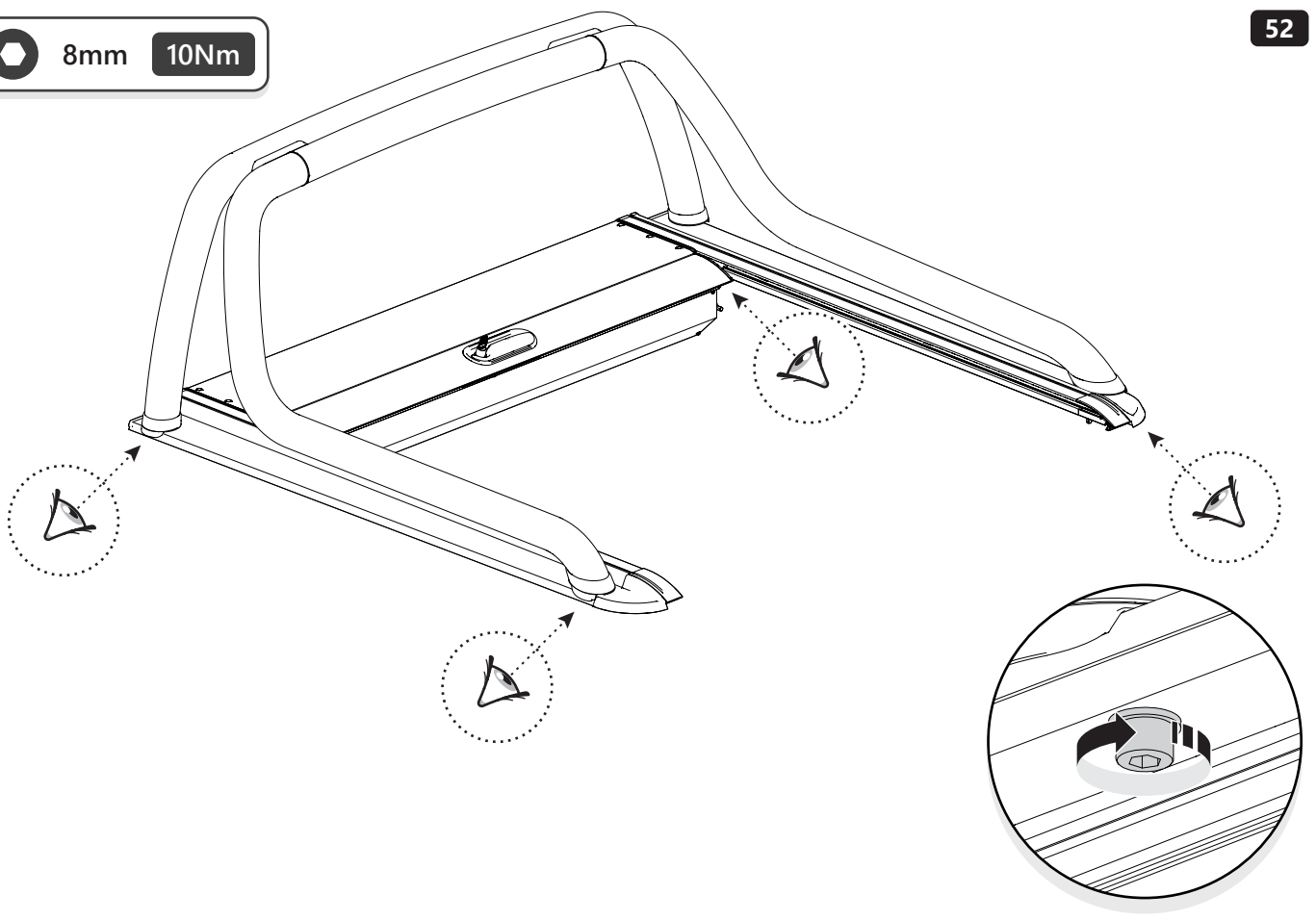
x 2


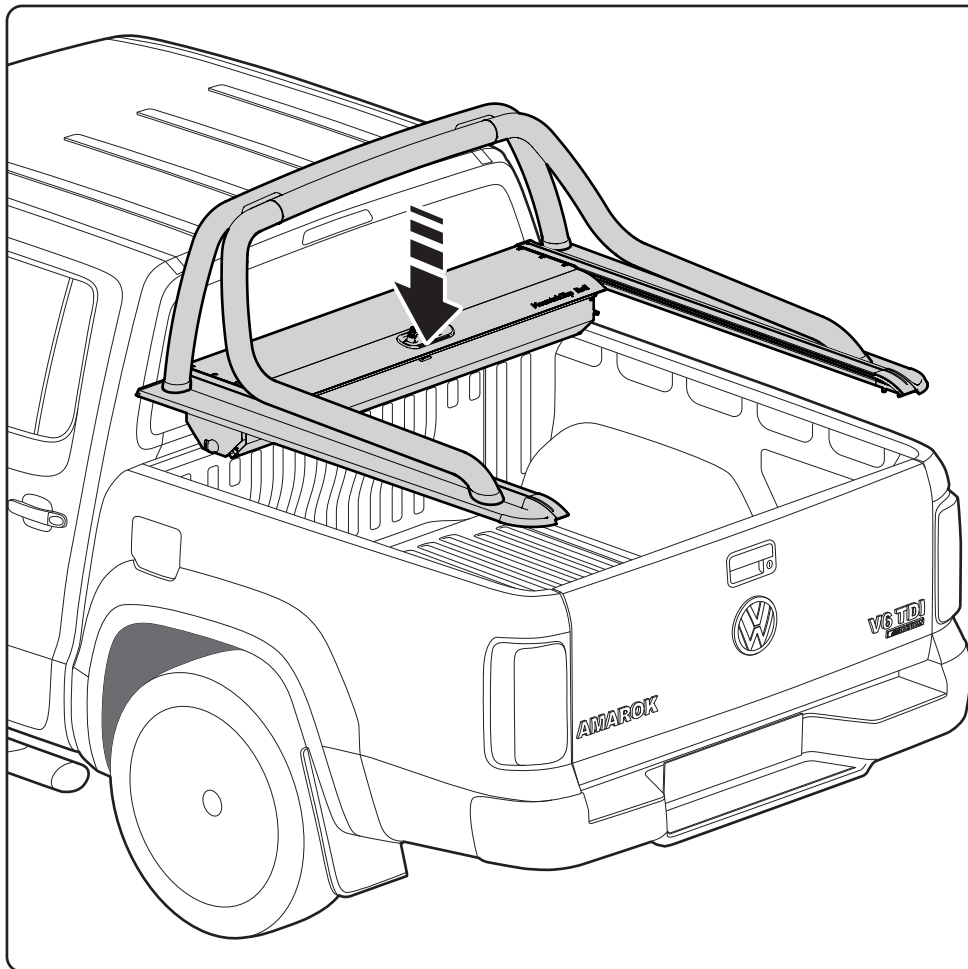







 8mm  10Nm





886 044
886 044-1
886 090



DOWNLOAD PDF



Customer Service +45 4810 2950 (08:00 - 16:00 CET)
Fax +45 4810 2960
Support info@mountaintop.dk
Website www.mountaintop.dk
Address Pedersholmparken 10, 3600 Frederikssund, Denmark

PART NUMBER(S)	MODEL / YEAR	CAB TYPE(S)	INSTALLATION TIME	WEIGHT
SB 0060	Volkswagen / 2016 →	Double Cab	1 hour(s)	1 Kg

GB Installation manual	S Monteringsanvisning	D Einbauanleitung
SF Asennusohje	E Instrucciones de montaje	CZ Návod k instalaci
F Notice de montage	H Szerelési utasítás	I Istruzioni de montaggio
PL Instrukcja montażu	P Instruções de instalação	GR Οδηγίες Εγκατάστασης
NL Installatie-instructies	RUS Инструкция по установке	DK Monteringsvejledning
TR Montaj Talimatı	N Monteringsveiledning	RO Instructiuni de instalare